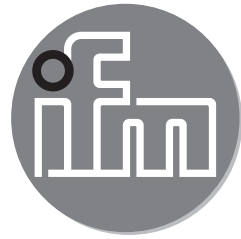




ifm electronic



**ATEX operating instructions
FC splitter**

E7377A

UK

08/2014

80008909/00

Remarks for safe use in hazardous areas

Functions and features

- Use in hazardous areas according to the classification

II 3G

II 3D

(group II, category 3, apparatus for gas and dust atmosphere)

Complies with the standards EN60079-0, EN60079-15 and EN60079-31.

Marking



II 3G Ex nA II T6 Gc X



II 3D Ex tc IIIC T70°C Dc X

Installation / Set-up

The units must only be installed, connected and set up by qualified staff. The qualified staff must have knowledge of protection classes, regulations and provisions for apparatus in hazardous areas.

Check whether the classification (see "marking" above and marking on the unit) is suitable for the application. Adhere to the relevant national regulations and provisions.

- Permissible operating temperature of the application:

0 ... +60°C

The FC splitter is used to open

- an AS-i spur (yellow / yellow)
- or a spur for the external auxiliary voltage (black / black).



Disconnect the power supply.

Important notes

Ensure when replacing the T splitter that the pierced points on the AS-i flat cable are either used again or are placed within the black seal area of the T splitter.

Tests with the following flat cables were carried out and passed successfully: E74000, E74010, E74200, E74210 as well as all technically identical versions with different lengths.

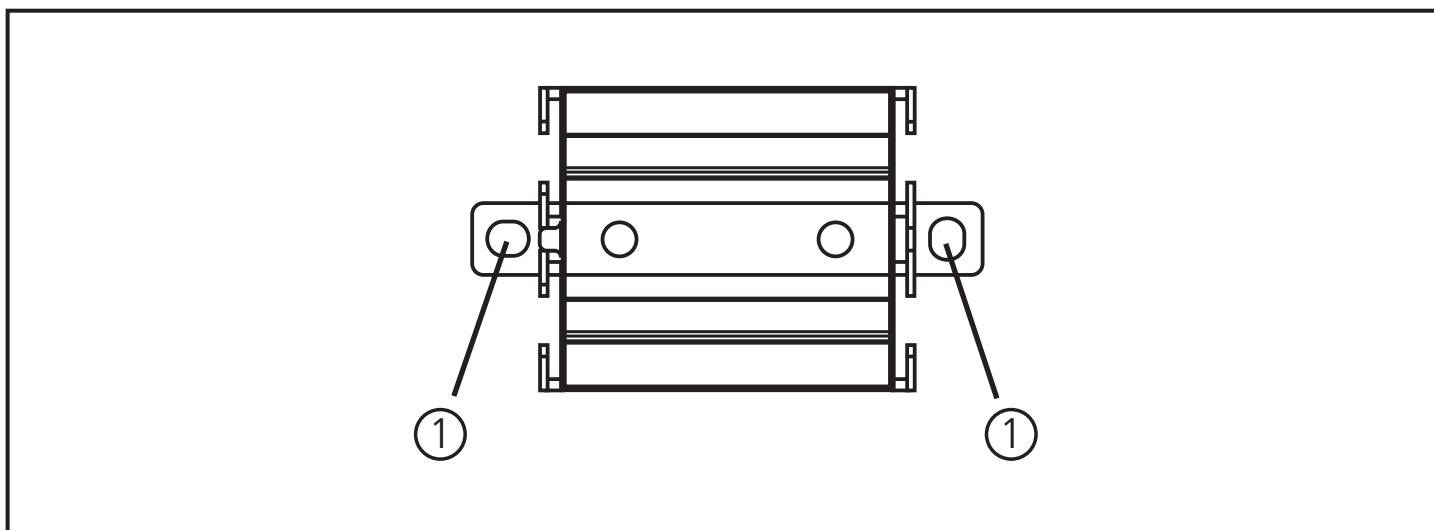
The E74100 and E74110 flat cables as well as all technically identical versions with different lengths are not suited.

It is the responsibility of the operator to check the suitability of the flat cables for use in hazardous areas, taking into account the environmental conditions (temperature, chemicals, etc).

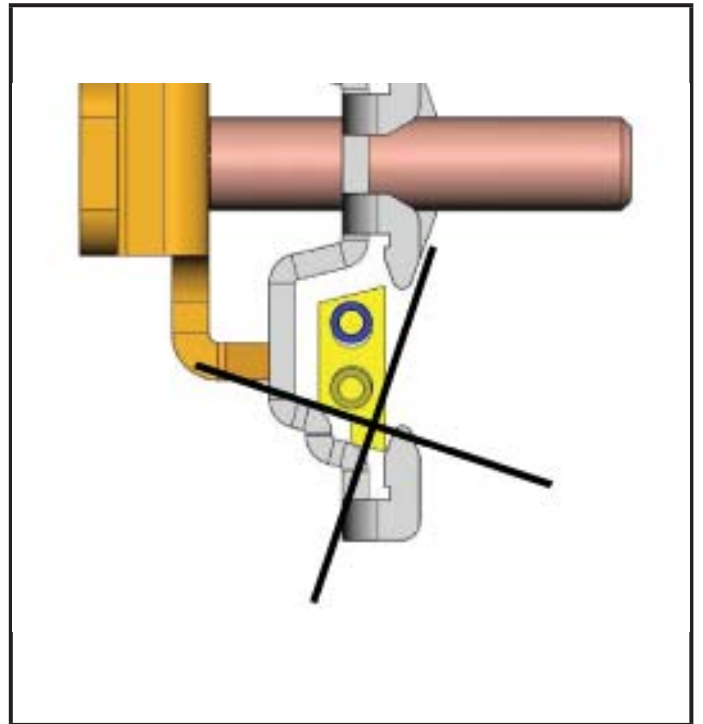
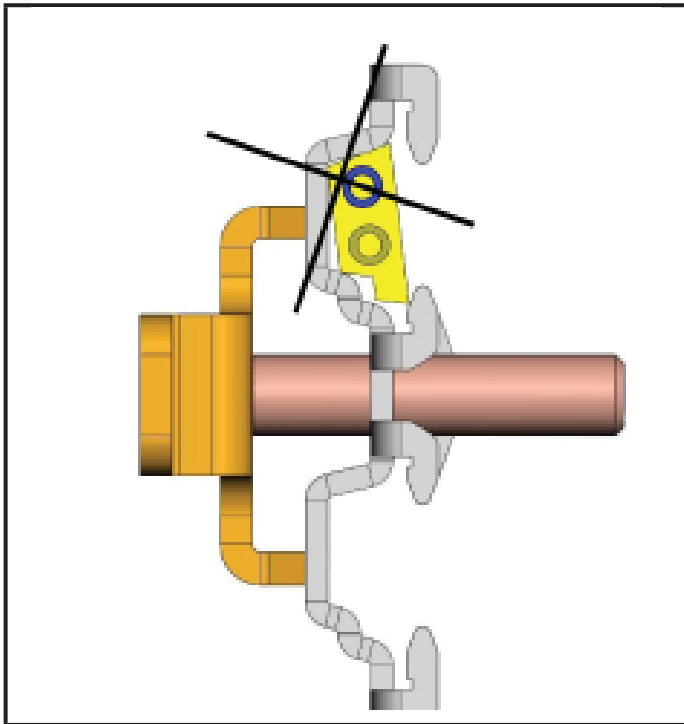
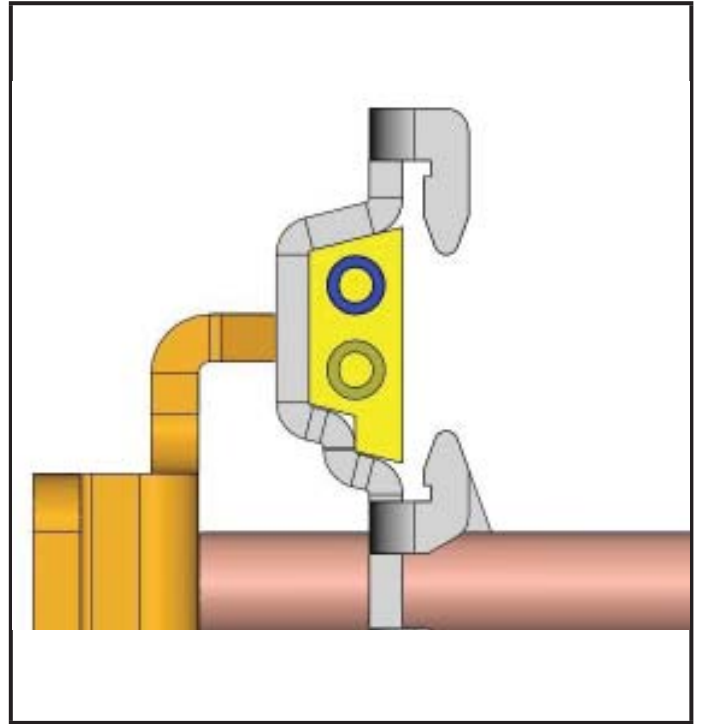
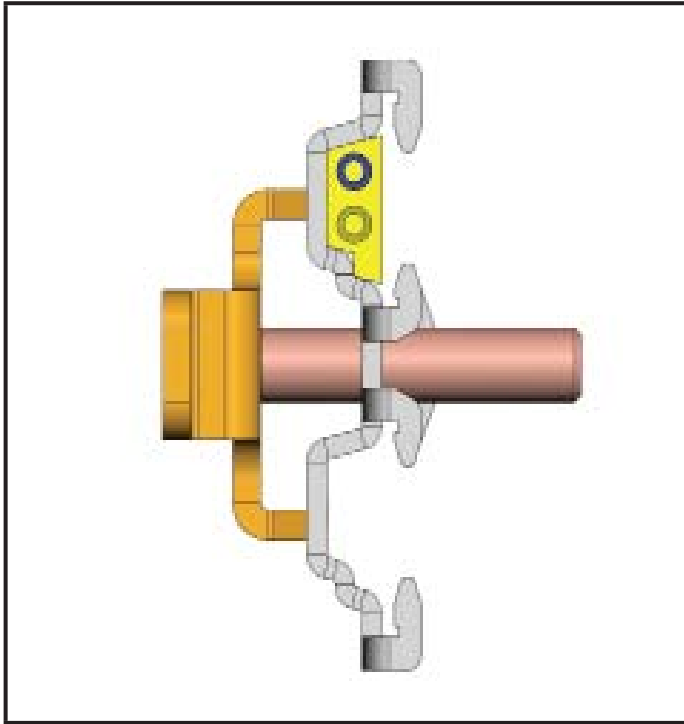
UK

Mounting of the lower part

Select a flat mounting surface. Fix the lower part onto the mounting surface (mounting holes 1); the mounting screws are not supplied. The supplied rubber blanks should be used to seal unused cable ducts.

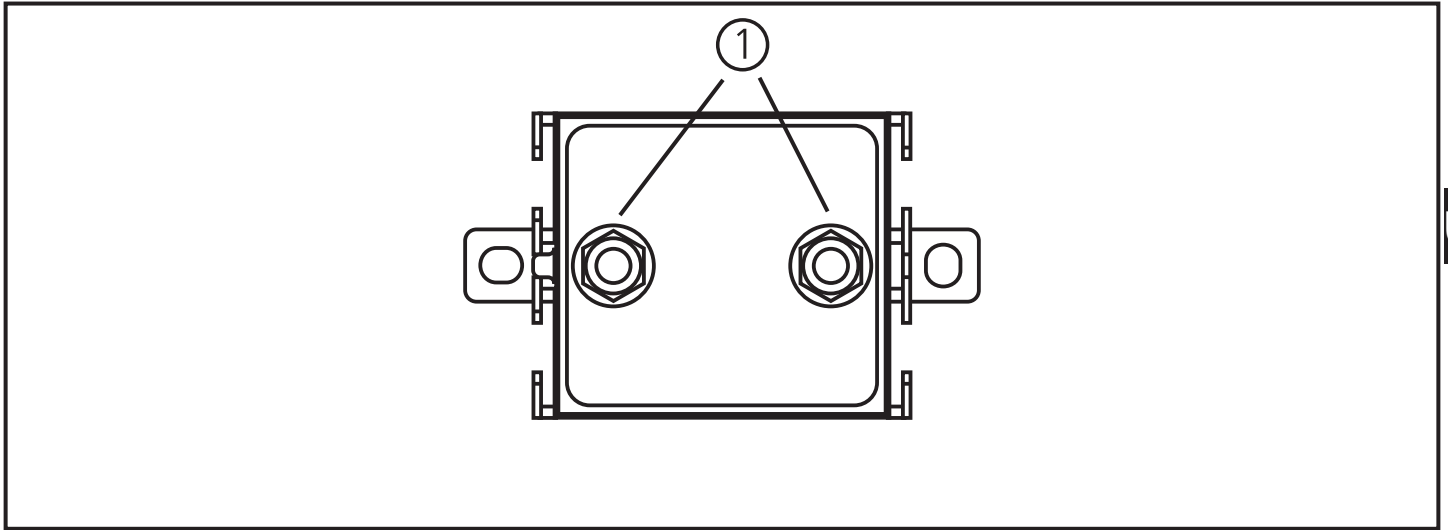


Insert two yellow AS-i flat cables for the AS-i voltage or two black cables for the external auxiliary voltage into the cable ducts. Ensure correct positioning of the cables in the profiled slot.



Mounting of the upper part

Put the upper part on the lower part and tighten the screws alternately (screws supplied).

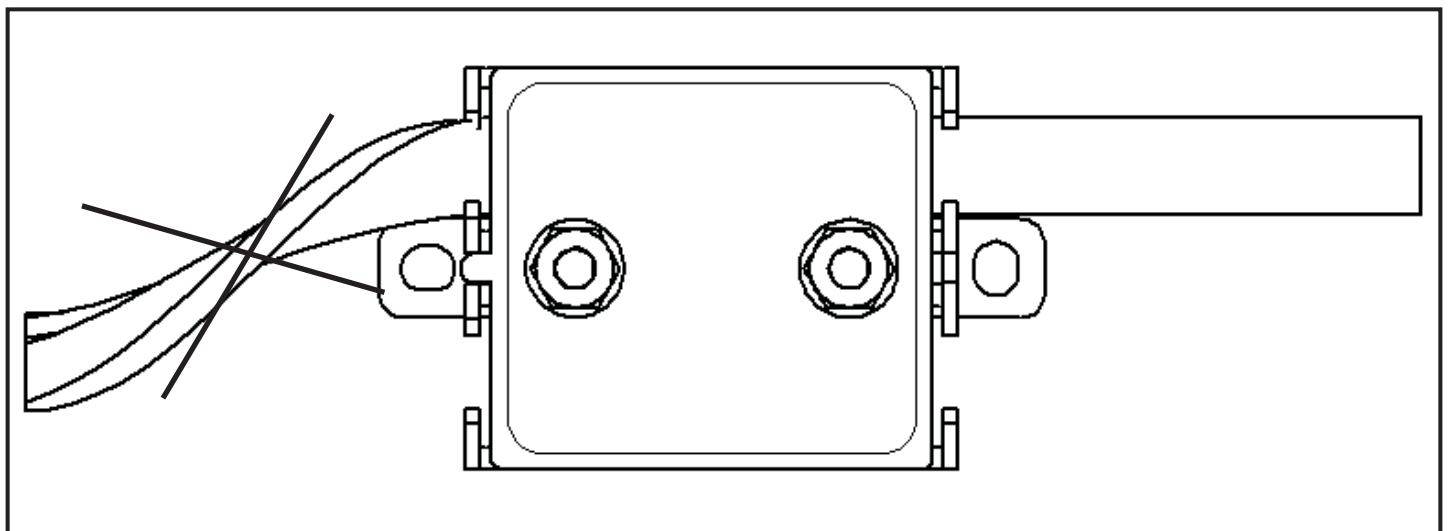
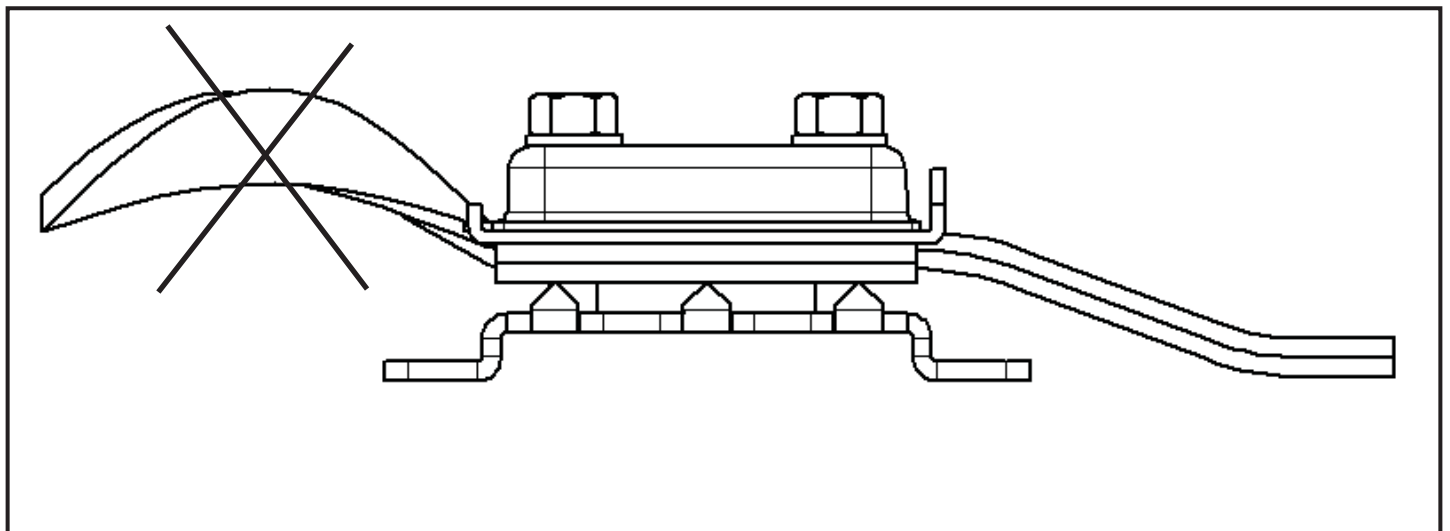
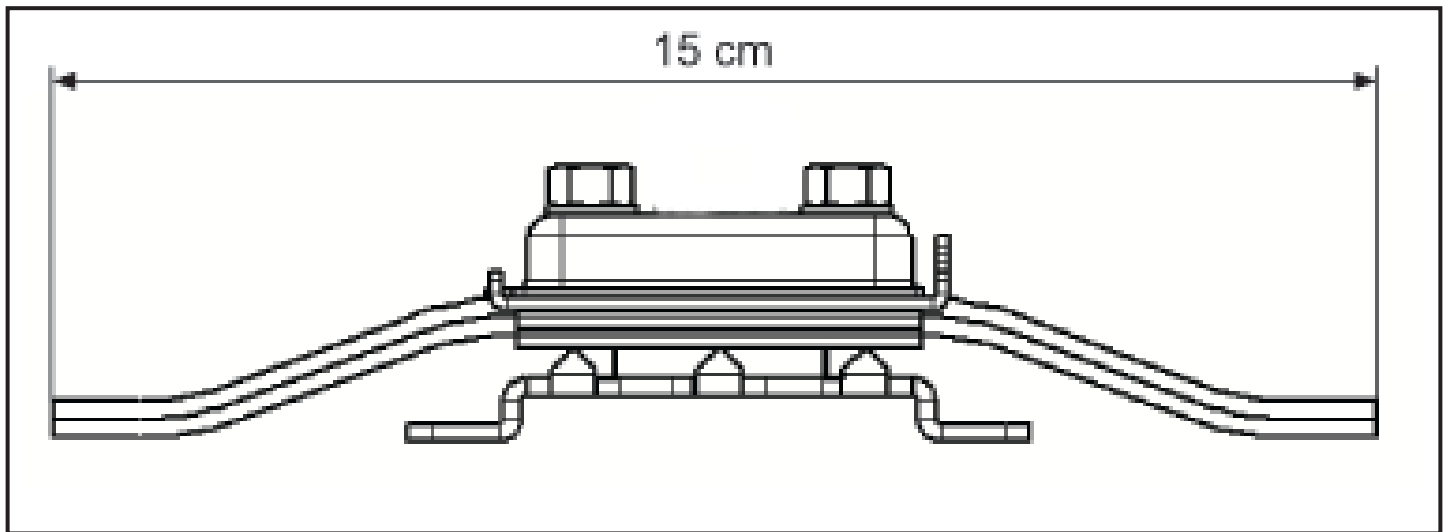


1: Screws, tightening torque 2.5 Nm

Mounting drawing

Cable guide lower part

Take care in laying the AS-i flat cable, the flat cable should be laid straight for about 15 cm.



Special conditions for safe operation

- Avoid electrostatic charging on plastic units and cables.
- Do not mount the module in the dust flow.
- Avoid dust deposits on the splitter box.
- Avoid electrostatic charging, only clean the unit with a damp cloth. In principle, rubbing with non-conductive materials must be avoided.
- Avoid direct radiation with high UV components (sunlight), mount the unit in a protected place.
- The unit is rated for low impact energy (EN60079-0, table 8, 4 joules). Protect splitter box and cable against destruction.
- Do not separate the module upper part from the FC lower part while live.
- Check the tightening torque of the screws two weeks after mounting and retighten them, if necessary.
- Protective caps, housing upper and lower parts and M12 fittings may only be opened or closed in a sufficiently clean environment.
- For use in hazardous areas according to the indication compliance with the protection rating is essential. Therefore appropriate care must be taken when mounting the housing and the seals.
- Only use the supplied lower part and supplied seals.
- If only one cable duct is used, the other one has to be closed using the flat cable blank.
- Flat cables must be firmly laid. Loads on the entry caused by strain or movement of the flat cables must be avoided.

Maintenance / Repair

The unit must not be modified nor can it be repaired. In case of a fault please contact the manufacturer. The data sheet and the EC declaration of conformity are available from the manufacturer on request.