



PNOZ msi12p

PILZ
THE SPIRIT OF SAFETY

► Accessories PNOZmulti

This document is the original document.

All rights to this documentation are reserved by Pilz GmbH & Co. KG. Copies may be made for the user's internal purposes. Suggestions and comments for improving this documentation will be gratefully received.

Source code from third-party manufacturers or open source software has been used for some components. The relevant licence information is available on the Internet on the Pilz homepage.

Pilz®, PIT®, PMI®, PNOZ®, Primo®, PSEN®, PSS®, PVIS®, SafetyBUS p®, SafetyEYE®, SafetyNET p®, the spirit of safety® are registered and protected trademarks of Pilz GmbH & Co. KG in some countries.



SD means Secure Digital

Description

The connection cable is used to connect an incremental encoder to the speed monitors PNOZ ms2p, PNOZ ms3p, PNOZ ms4p or PNOZ s30.

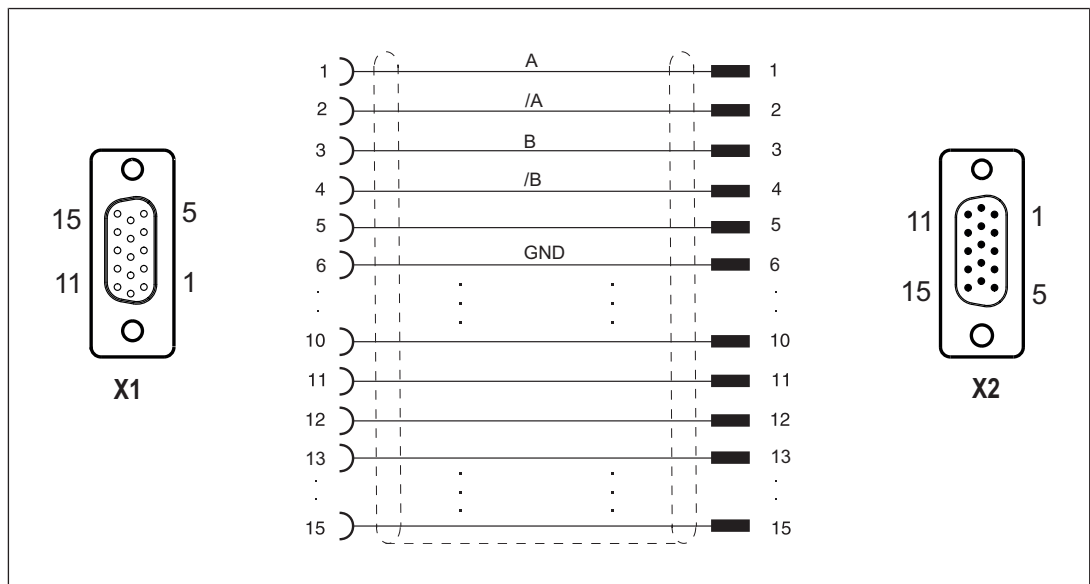
The contacts on connectors X1 and X2 are connected and have the same assignment. The signals that are relevant for the speed monitor are recorded in parallel and are fed to the RJ45 connector via the cable.



INFORMATION

Remove the protective cover of the RJ45 connector after installation in the control cabinet.

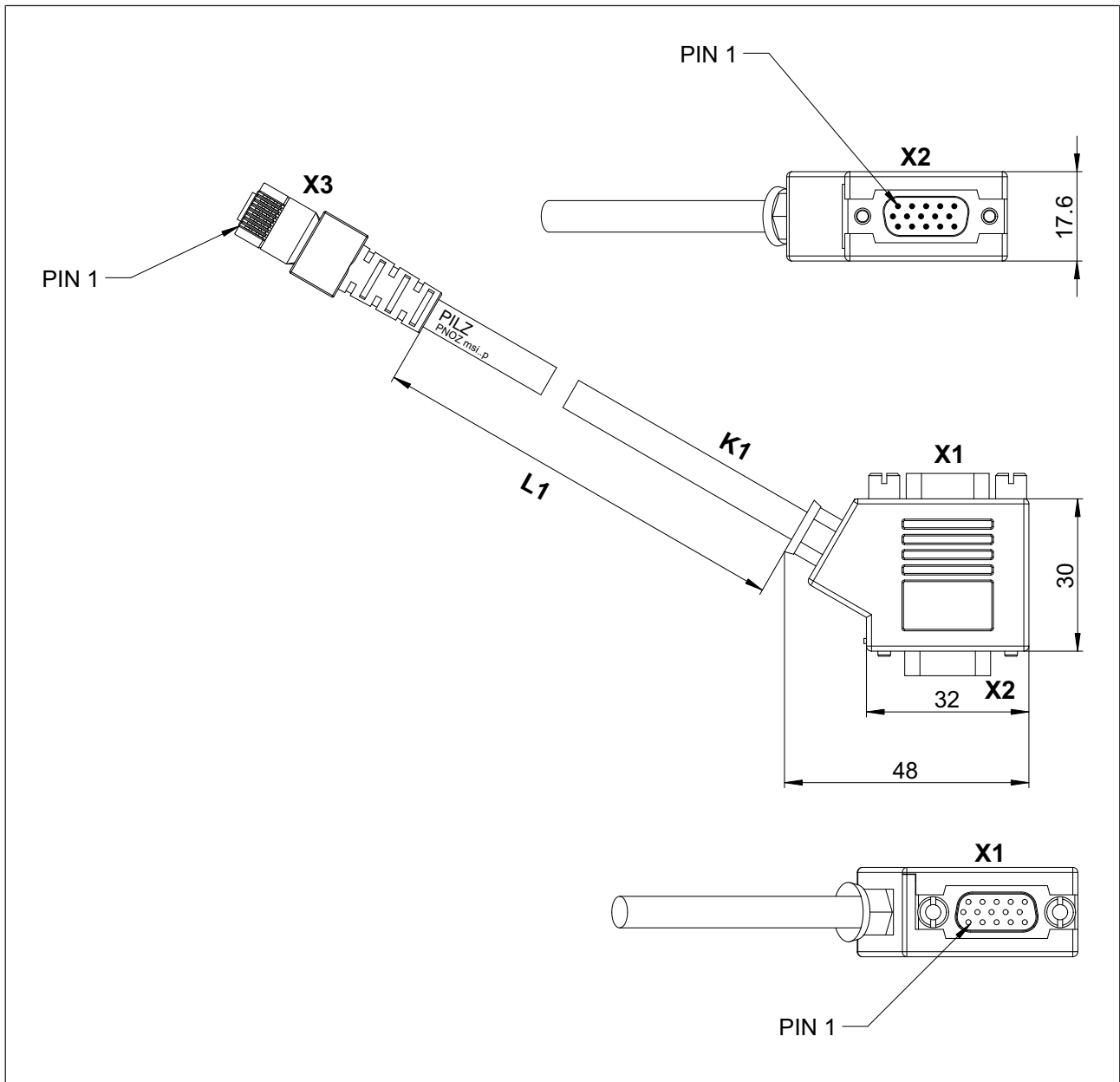
Connector pin assignment



INFORMATION

The signals Z and /Z for the speed monitor PNOZ s30 are not recorded.

Dimensions in mm



Technical details

General	
Certifications	-
Electrical data	
Operating voltage	30 V
Insulation resistance	20 MOhm
Environmental data	
Ambient temperature	
Temperature range	0 - 60 °C
Temperature range (moving)	0 - 60 °C
Storage temperature	
Temperature range	-25 - 70 °C
Condensation during operation	Not permitted
Protection type	
X1 when inserted	IP20
X2 when inserted	IP20
X3 when inserted	IP20
Housing	IP20
Mounting area (e.g. control cabinet)	IP54
Mechanical data	
Plug-in connector X1	15-pin HD D-Sub female connector
Form, plug-in connector X1	Straight
Plug-in connector X2	15-pin HD D-Sub male connector
Form, plug-in connector X2	Straight
Plug-in connector X3	8-pin RJ45 male connector
Design of plug-in connector X3	Straight
Fixing screws	UNC 4-40
Housing material X1	PBT
Housing material X2	PBT
Housing material X3	PBT
Material of contact surface X1	Au
Material of contact surface X2	Au
Material of contact surface X3	Au
Material of pin	Brass
Material of socket	Brass
Mating cycles X1	50
Mating cycles X2	50
Mating cycles X3	1500
Cable length L1	2,5 m
Colour of external cable insulation K1	Green, similar to RAL6018
Cable insulation material K1	PUR
Drag chain suitable K1	yes
Min. bending radius (fixed permanently) K1	8 x Ø
Min. bending radius (moving) K1	10 x Ø

Mechanical data	
Cable diameter K1	5,8 mm
Max. cable diameter K1	6 mm
Conductor cross section K1	0,14 mm²
Conductor cross section AWG K1	26
Wire colour K1	White, brown, green, yellow, grey, pink, blue, red
Shielding K1	yes
Wire layer separation K1	No
No. of wires K1	8
Certification cable K1	UL AWM-Style 20233
Certification plug-in connector X1	UL94 V-0
Certification plug-in connector X2	UL94 V-0
Certification plug-in connector X3	UL94 V-0
Material	
Housing	Zn
Dimensions	
Height	30 mm
Width	32 mm
Depth	17,6 mm
Weight	121 g

Order references

Product type	Features	Connector X1	Connector X2	Connector X3	Order no.
PNOZ msi12p Rockwell 15/15 2.5m	2.5 m	15-pin HD D- Sub female connector	15-pin HD D- Sub male con- nector	8-pin RJ45 male connector	773 868

