

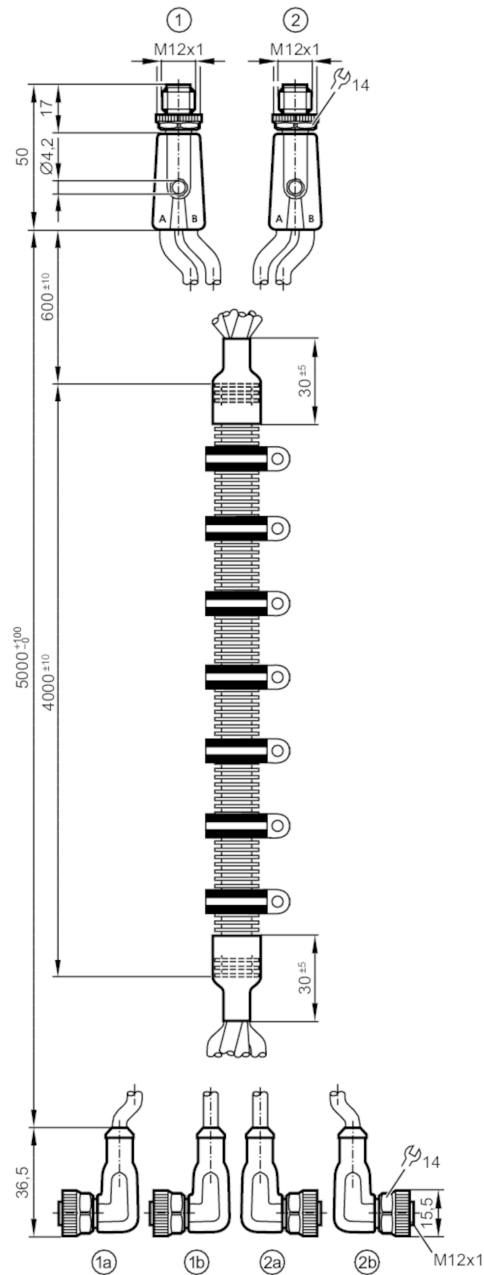
EVC506



Y connection cable

Multicable 2 x Y-Jumper M12 5M

Please see the technical note under "Downloads"



Application

Special feature

Halogen-free

Electrical data

Operating voltage [V]

< 250 AC / < 300 DC

Protection class

II

Max. current load total [A]

4

EVC506



Y connection cable

Multicable 2 x Y-Jumper M12 5M

Operating conditions	
Ambient temperature	[°C] -20...90
Ambient temperature (moving)	[°C] -20...90
Storage temperature	[°C] -25...55
Storage humidity	[%] 10...100
Other climatic conditions for storage according to stated class	1K22/ DIN 60721-3-1
Protection	IP 67; IP 68; IP 69K
Mechanical data	
Weight	[g] 1022.5
Moulded-body material	TPU / TPU
Sealing material	FKM
Remarks	
Notes	Please see the technical note under "Downloads"
Pack quantity	1 pcs.

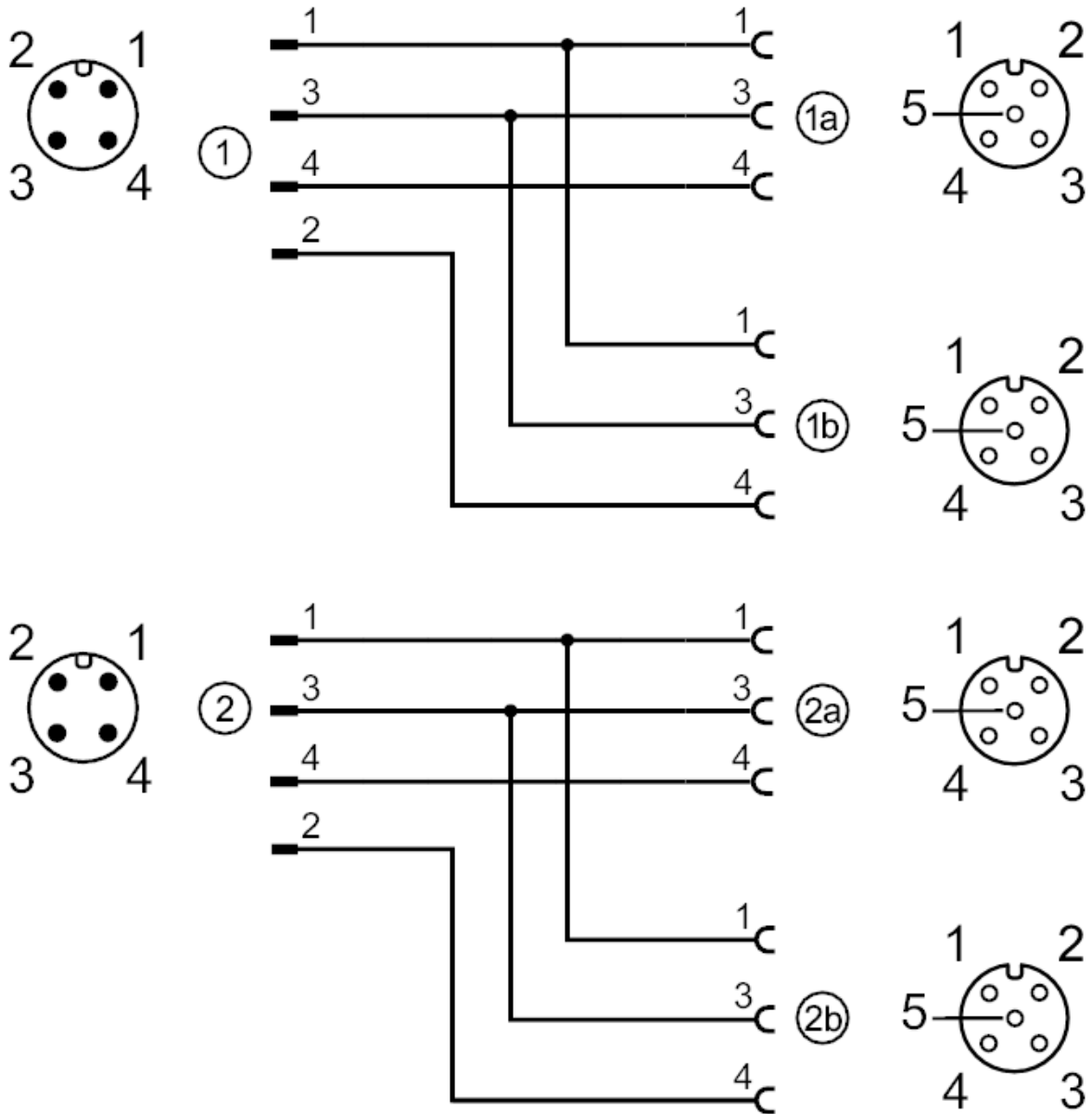
Y connection cable

Multicable 2 x Y-Jumper M12 5M

Electrical connection

Cable: 5 m, PUR, Halogen-free, black, Ø 4.3 mm; 3 x 0.34 mm² (42 x Ø 0.1 mm)

Connection



Electrical connection - plug

Connector: M12; Moulded body: TPU, orange

Electrical connection - socket

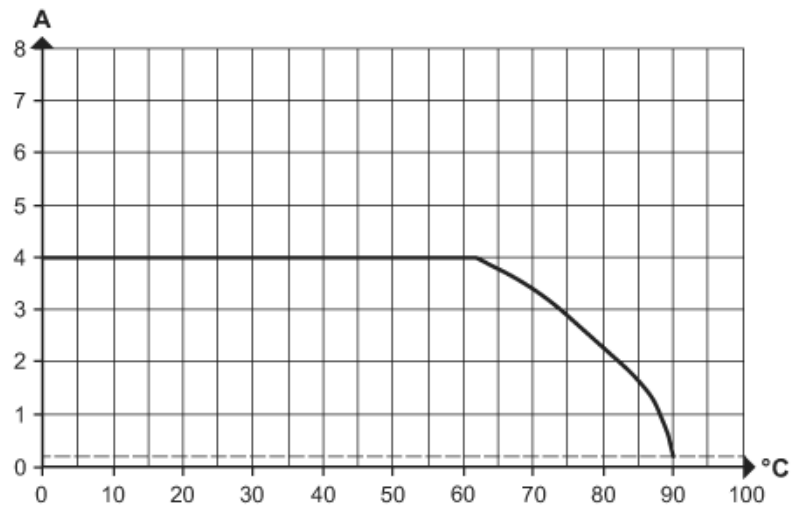
Connector: M12; Moulded body: TPU, orange; Sealing: FKM



Y connection cable

Multicable 2 x Y-Jumper M12 5M

Diagrams and graphs



Derating $I_{max} * 0.8$ DIN EN 60512-5-2

X Ambient temperature [°C]

Y Current [A]