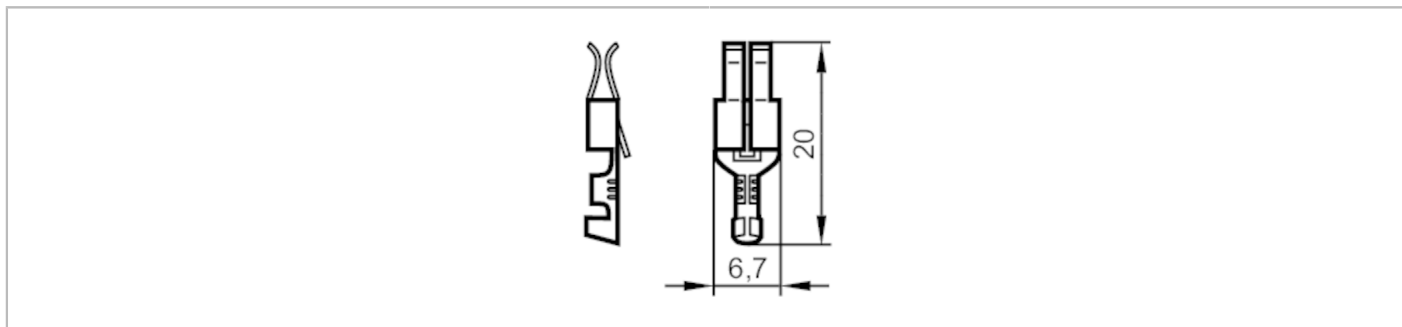


# EC0468



## Standard timer contact

R360/Basic/Contact/STD 0.5



### Application

Design

for standard timer contact housings

### Mechanical data

Weight

[g]

499

Materials

tin-plated

### Remarks

Pack quantity

1000 pcs.

### Electrical connection

Standard timer contact: 0.5...1.0 mm<sup>2</sup>; (Ø 1.4...2.3 mm)