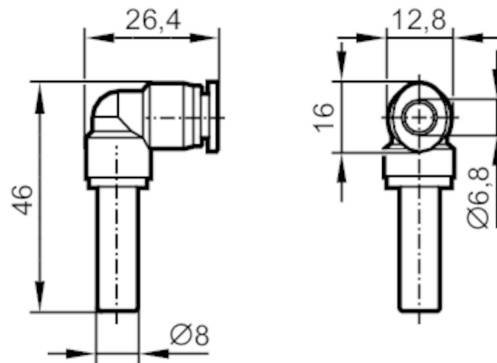


E75229



Push-in L-fitting for pneumatic connections

AirBox push-in L-connector 10 pcs.



Application	
Media	compressed air according to ISO 8573-1: 2001
Operating conditions	
Operating pressure [bar]	20; (min. -0,95)
Ambient temperature [°C]	-20...80
Mechanical data	
Weight [g]	34.5
Materials	housing: nickel-plated brass / PA66; Tooth lock washer: stainless steel
Tube fittings	6 mm
Sleeve diameter [mm]	8
Remarks	
Pack quantity	10 pcs.