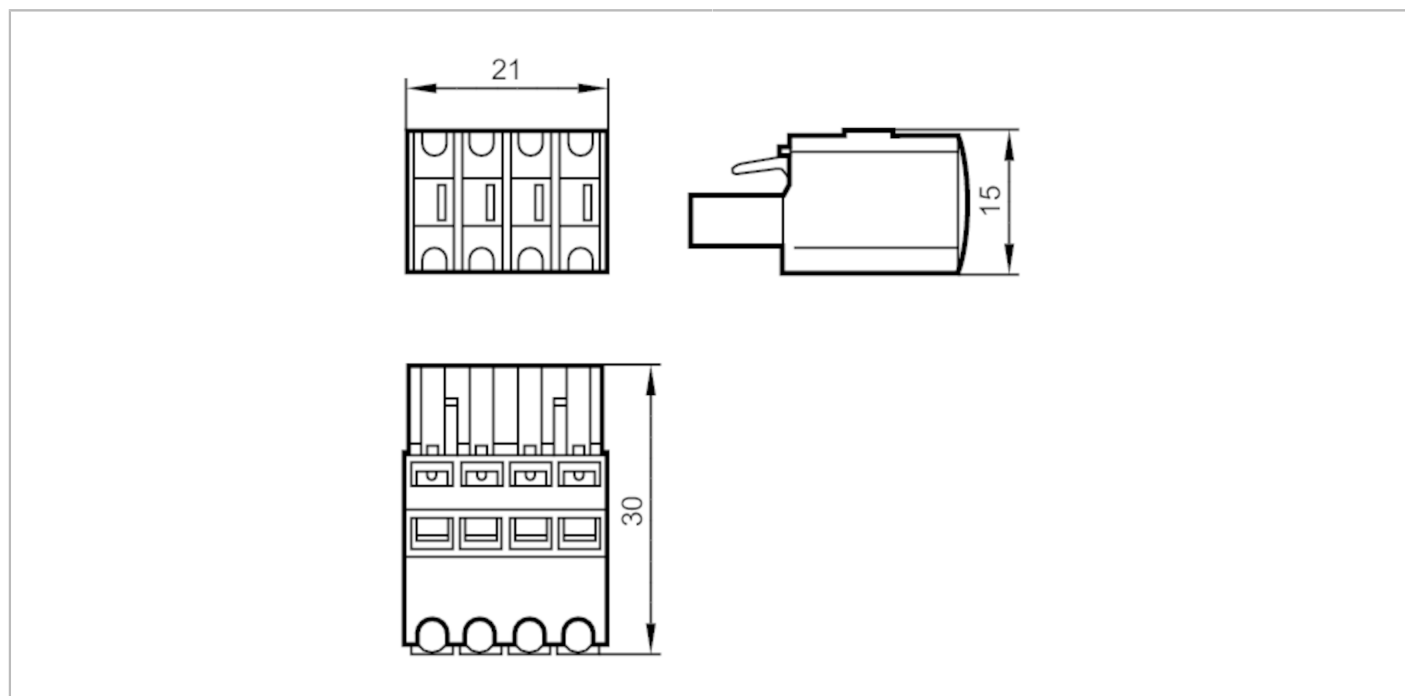


E70236



COMBICON connector

Combicon plug/quantity 6



Electrical data		
Contact resistance	[mΩ]	1.5; (1 mm ²)
Max. load current	[A]	10; (1 mm ²)
Mechanical data		
Weight	[g]	54.1
Materials		current carrying parts: copper alloy tin-plated
Remarks		
Pack quantity		6 pcs.