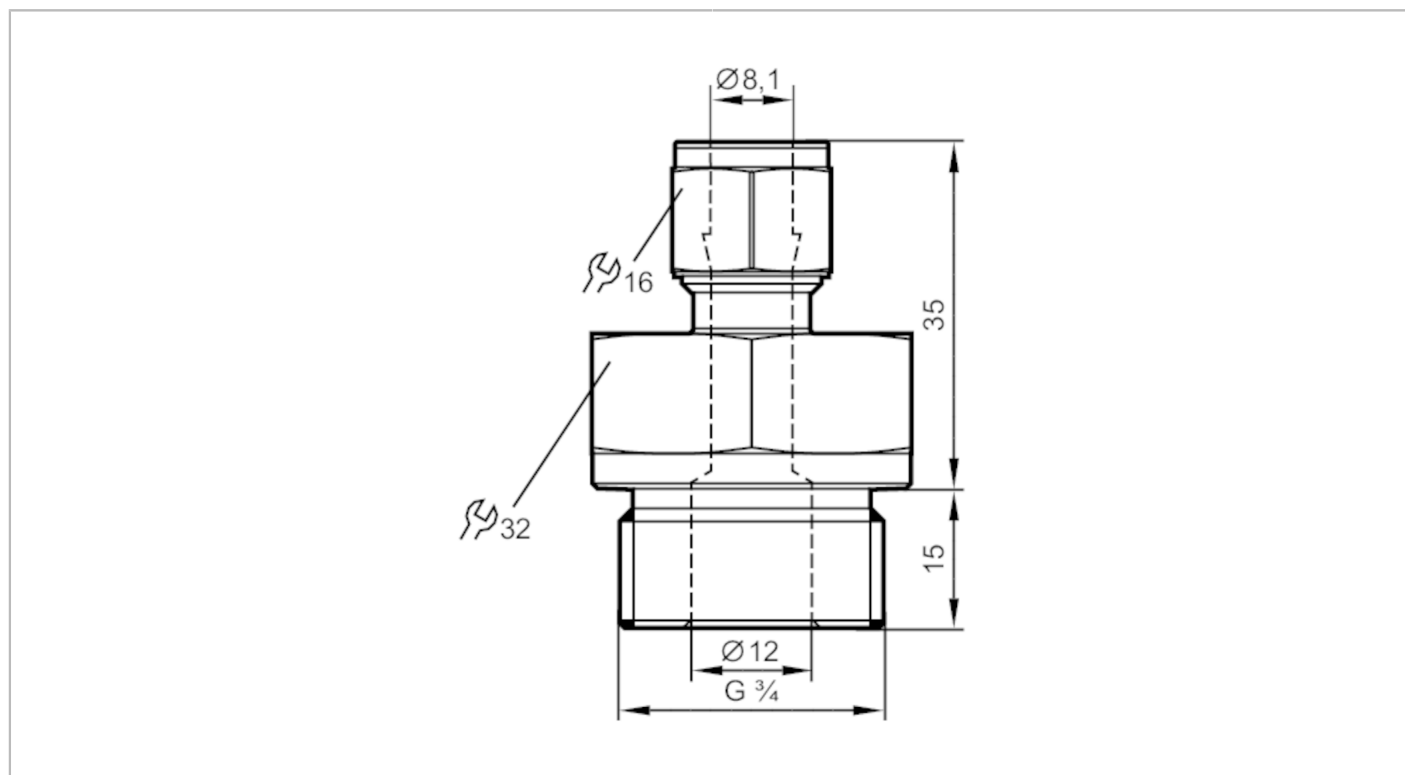


# E40268



## Progressive ring fitting

COMPRESSION FITTING G3/4 METALLIC SEALIN



### ACS KTW/W270 Reg31

Application	
Installation	Progressive ring fitting
Mechanical data	
Weight [g]	161
Materials	stainless steel (1.4404 / 316L)
Sensor connection	Ø 8 mm
Process connection	threaded connection G 3/4
Remarks	
Pack quantity	1 pcs.