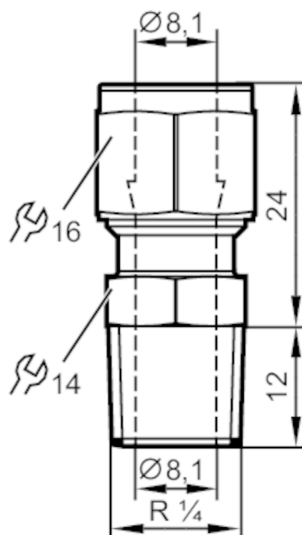


# E40264



## Progressive ring fitting

COMPRESSION FITTING R1/4



Application	
Installation	Progressive ring fitting
Pressure rating [bar]	50
Mechanical data	
Weight [g]	38.2
Materials	stainless steel (1.4404 / 316L)
Sensor connection	Ø 8 mm
Process connection	threaded connection R 1/4
Remarks	
Pack quantity	1 pcs.