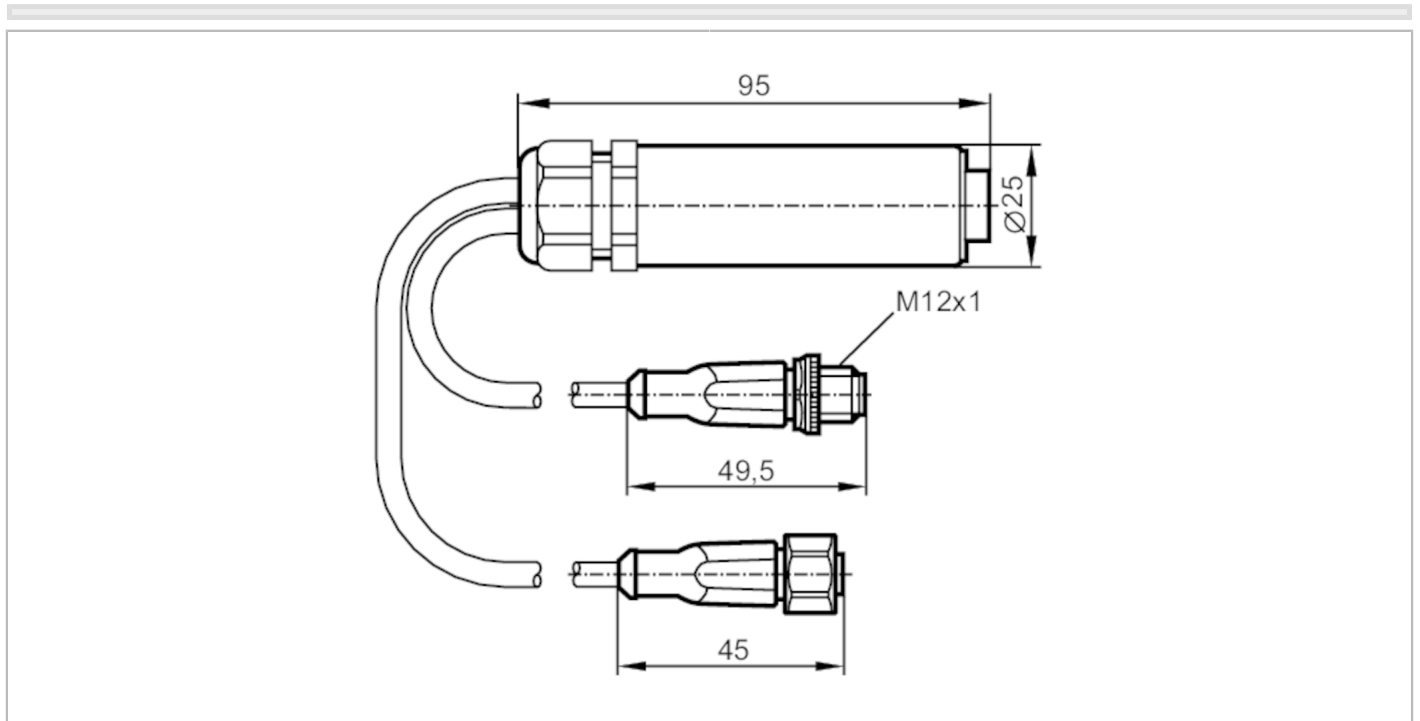


# E40212



## Teach button for flow sensors

SC TEACH BUTTON OR



CE

Application	
Design	for flow sensors SC with relay output as normally open
Electrical data	
Frequency AC [Hz]	47...63
Operating voltage tolerance [%]	15
Operating voltage [V]	< 24 AC/DC; (according to EN 50178 SELV/PELV)
Operating conditions	
Protection	IP 40
Mechanical data	
Weight [g]	225.5
Materials	stainless steel (1.4305 / 303); PA; PMMA
Remarks	
Notes	discontinued article
Pack quantity	1 pcs.

# E40212



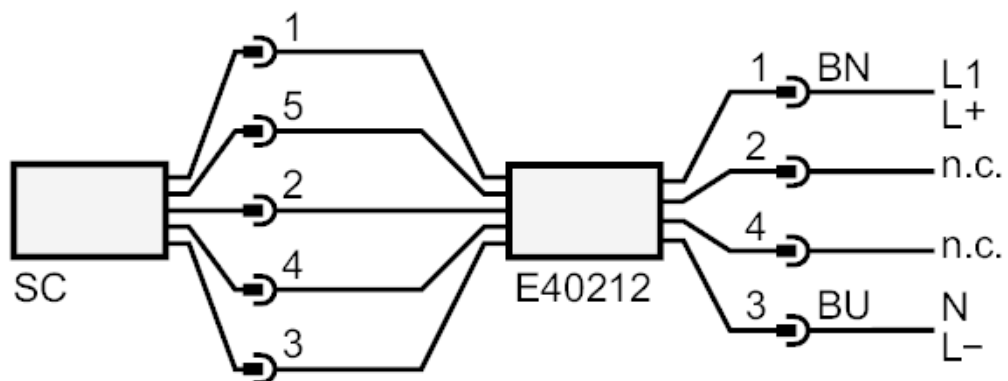
## Teach button for flow sensors

SC TEACH BUTTON OR

### Electrical connection

Cable: 0.9 m, PUR

### Connection



Core colours :

BN =

brown

BU =

blue