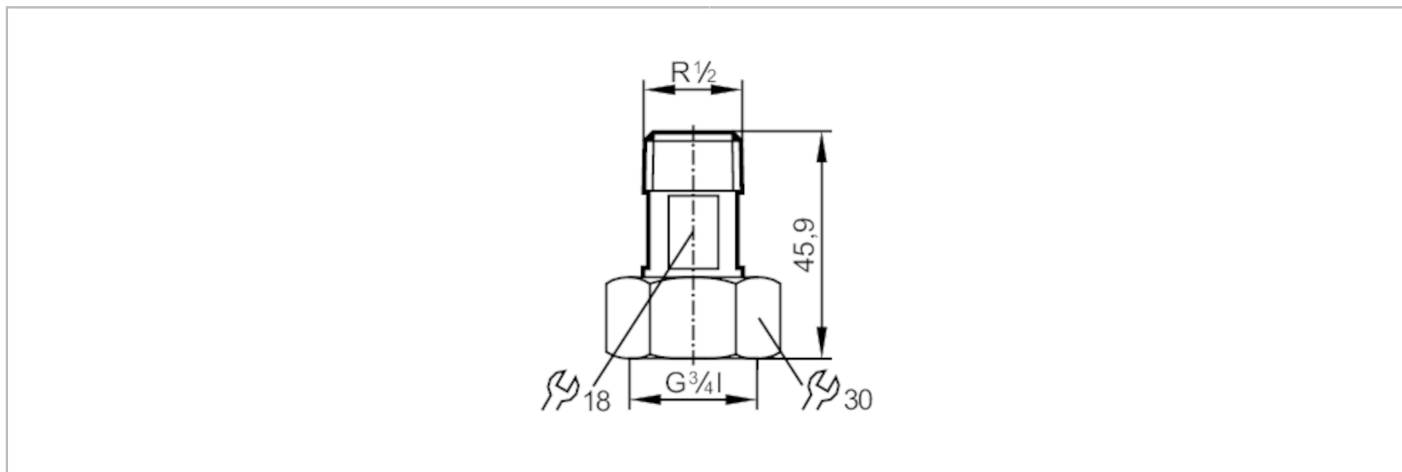


E40178



Mounting adapter for flow sensors

ADAPTER G3/4-R1/2/V4A



Application	
Design	for flow sensors SM7 / SU7
Mechanical data	
Weight [g]	201.5
Materials	Adapter: stainless steel (1.4404 / 316L); Gasket: Centellen 17 x 24 x 3 mm
Sensor connection	G 3/4
Process connection	threaded connection R 1/2
Accessories	
Items supplied	O-rings: 2
Remarks	
Pack quantity	2 pcs.