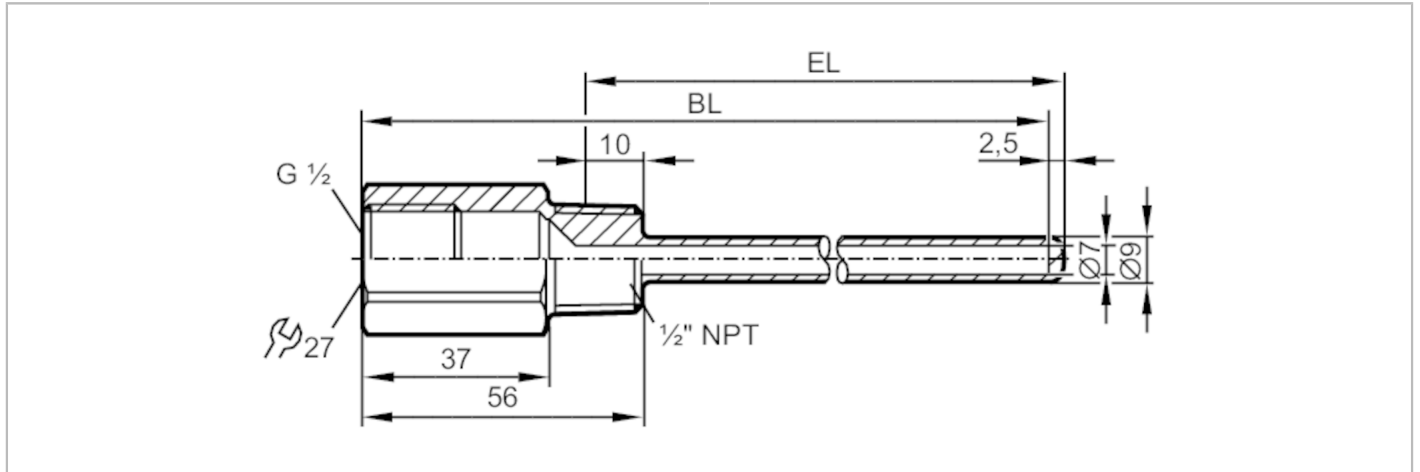


E37221



Thermowell for temperature sensors

THERMOWELL, D6/ 1/2 NPT/L=150



Application	
Design	for temperature sensors EL = 150 mm
Pressure rating [bar]	16
Mechanical data	
Weight [g]	175
Materials	stainless steel (1.4404 / 316L)
Sensor connection	G 1/2 sealing cone Ø 6 mm
Process connection	1/2" NPT
Installation length EL [mm]	144
Bore length BL [mm]	187
Remarks	
Pack quantity	1 pcs.