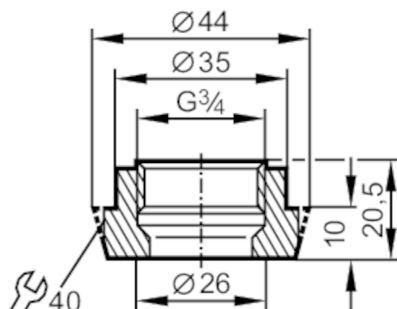


E33910



Process adapter hygienic pipe fitting

ADAPT G3/4-DIN11851/DN25 (1)



Application	
Pressure rating	[bar] 40
Tests / approvals	
Pressure Equipment Directive	A possible classification to PED depends on the application and has to be carried out by the user / operator.
Safety instructions	The compatibility between medium and product material has to be checked in all applications.
Mechanical data	
Weight	[g] 146.5
Materials (wetted parts)	stainless steel (1.4404 / 316L) ; surface characteristics : Ra<0,4 / Rz 4
Sensor connection	G 3/4
Process connection	hygienic pipe fitting DN25 (1") DIN 11851
Remarks	
Pack quantity	1 pcs.