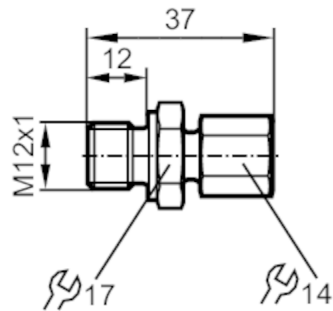


E33433



Progressive ring fitting

PROGRESSIVE RG FITTING D6/M12x1.0



Application

| | |
|-----------------------|--------------------------|
| Installation | Progressive ring fitting |
| Pressure rating [bar] | 50 |

Mechanical data

| | |
|--------------------|--------------------------------|
| Weight [g] | 34.6 |
| Materials | stainless steel (1.4571/316Ti) |
| Sensor connection | Ø 6 mm |
| Process connection | threaded connection M12 x 1 |

Remarks

| | |
|---------------|--------|
| Pack quantity | 1 pcs. |
|---------------|--------|