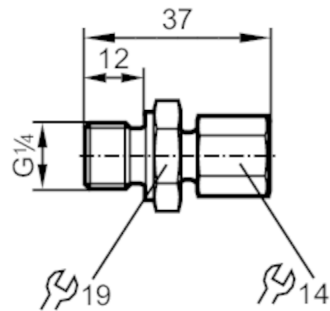


# E33431



## Progressive ring fitting

PROGRESSIVE RG FITTING D6/G1/4



### Application

Installation	Progressive ring fitting
Pressure rating [bar]	50

### Tests / approvals

Pressure Equipment Directive	A possible classification to PED depends on the application and has to be carried out by the user / operator.
Safety instructions	The compatibility between medium and product material has to be checked in all applications.

### Mechanical data

Weight [g]	39.4
Materials	stainless steel (1.4571/316Ti)
Sensor connection	Ø 6 mm
Process connection	threaded connection G 1/4

### Remarks

Pack quantity	1 pcs.
---------------	--------