

E17148



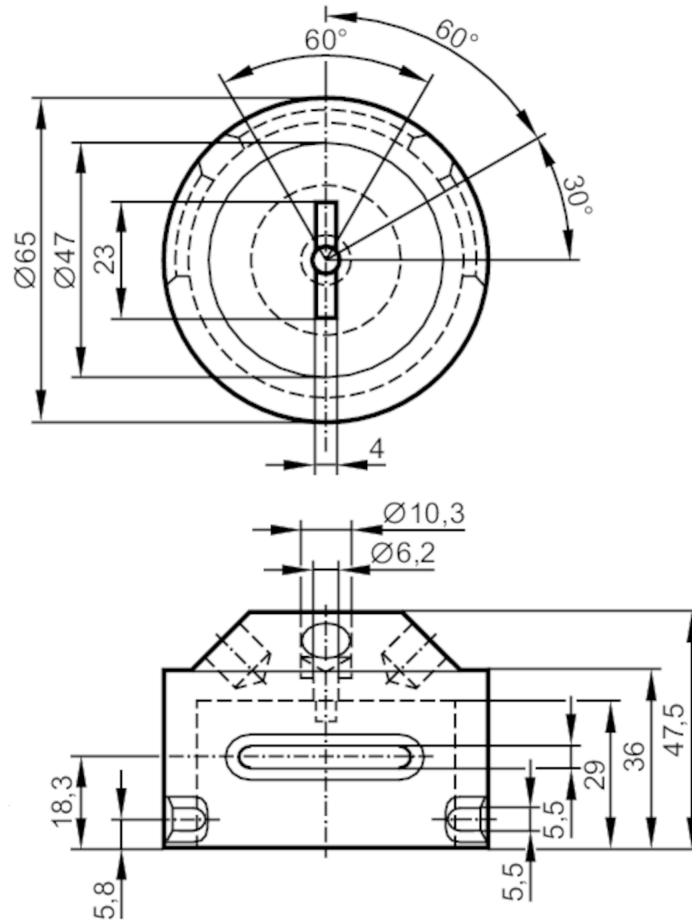
Target pucks for valve actuators

PUCK/D65/ADJUSTABLESCREWS

discontinued article

Alternative articles: E12516

When selecting an alternative article and accessories please note that technical data may differ!



Application

Design

for mechanical interfaces to pneumatic actuators or manually-operated valves VDI / VDE 3845, ISO 5211 / DIN 3337

Mechanical data

Weight	[g]	125.5
Target puck diameter	[mm]	65
Hole spacing	[mm]	80
Shaft height of valve drive	[mm]	30
Housing colour		black
Materials		target puck: PVC; screws: stainless steel

Remarks

Pack quantity	1 pcs.
---------------	--------