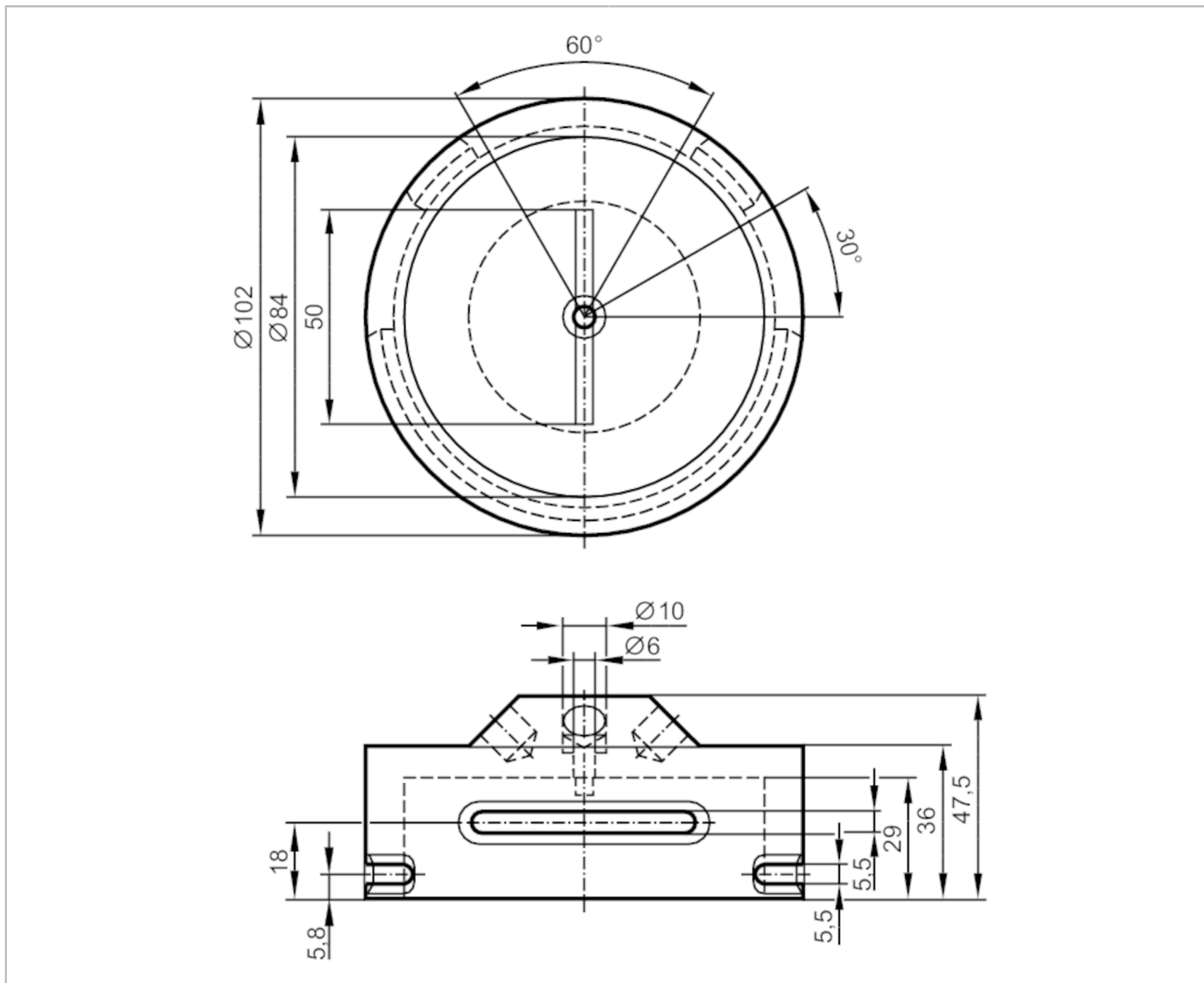


# E17119



## Target pucks for valve actuators

Puck d=102mm



Application	
Design	for mechanical interfaces to pneumatic actuators or manually-operated valves VDI / VDE 3845, ISO 5211 / DIN 3337
Mechanical data	
Weight	[g] 192.5
Target puck diameter	[mm] 102
Hole spacing	[mm] 130
Shaft height of valve drive	[mm] 30
Housing colour	black
Materials	target puck: PVC; screws: stainless steel (1.4571/316Ti)
Remarks	
Pack quantity	1 pcs.