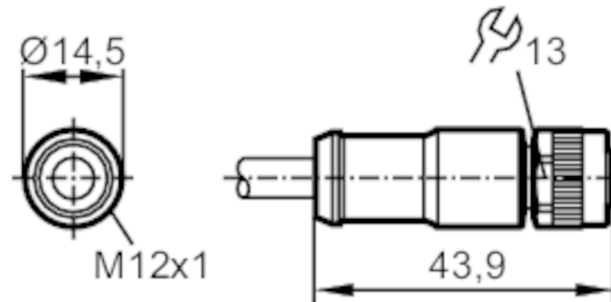


# E10977



## Connecting cable with socket

ADOGH080MSS0010A06



### Electrical data

Operating voltage	[V]	< 60 AC/DC
Max. current load total	[A]	2

### Operating conditions

Ambient temperature	[°C]	-25...85
Protection		IP 68

### Mechanical data

Weight	[g]	468.7
Dimensions	[mm]	14.5 x 14.5 x 43.9
Materials		TPU
Moulded-body material		TPU
Material nut		diecast zinc, nickel-plated

### Remarks

Pack quantity		1 pcs.
---------------	--	--------

### Electrical connection

Cable: 10 m, PUR, black, Ø 6 mm; 6 x 0.34 mm<sup>2</sup> (42 x Ø 0.1 mm )

### Electrical connection - socket

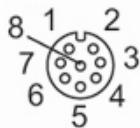
Connector: 1 x M12, straight; Moulded body: TPU; Locking: diecast zinc, nickel-plated

# E10977

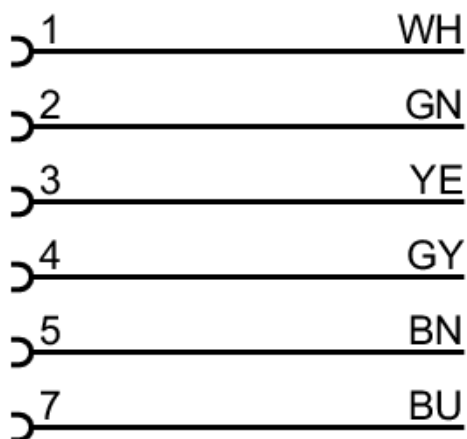


## Connecting cable with socket

ADOGH080MSS0010A06



### Connection



#### Core colours :

BN =	brown
BU =	blue
GN =	green
GY =	grey
WH =	white
YE =	yellow