

# DF2100



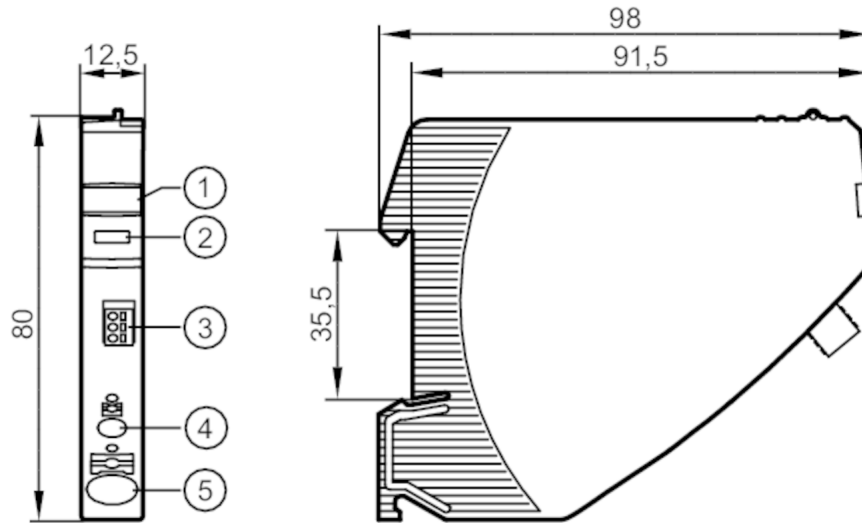
## Power supply module for electronic circuit breaker

Fuse/IO-Link/24VDC/Module

Article no longer available - archive entry

Alternative articles: DF2101

When selecting an alternative article and accessories please note that technical data may differ!



- 1 panel for labelling
- 2 status LED
- 3 push-in terminals IO-Link
- 4 push-in terminal 0 V
- 5 push-in terminal 24 V DC



### Electrical data

Operating voltage	[V]	to SELV/PELV
Nominal voltage DC	[V]	24
Input voltage DC	[V]	19.2...30
Protection class		III
Reverse polarity protection		yes
Mains buffering time (nominal voltage 24 V DC)	[ms]	10
Input current (nominal voltage 24 V DC)	[A]	40
Closed-circuit current	[mA]	10

### Interfaces

Communication interface		IO-Link
Min. process cycle time	[ms]	650

### Operating conditions

Ambient temperature	[°C]	-25...60
Storage temperature	[°C]	-40...70
Protection		IP 20; (on the front)
Degree of soiling		2

# DF2100



## Power supply module for electronic circuit breaker

Fuse/IO-Link/24VDC/Module

Tests / approvals		
EMC	EN 61000-6-3	radiation of interference
	EN 61000-6-2	immunity
Mechanical data		
Weight	[g]	72.5
Dimensions	[mm]	80 x 12.5 x 98
Displays / operating elements		
Display	status	1 x LED, red / green / orange
Electrical connection		
push-in terminals: contact lever/strip:		
Connection		

