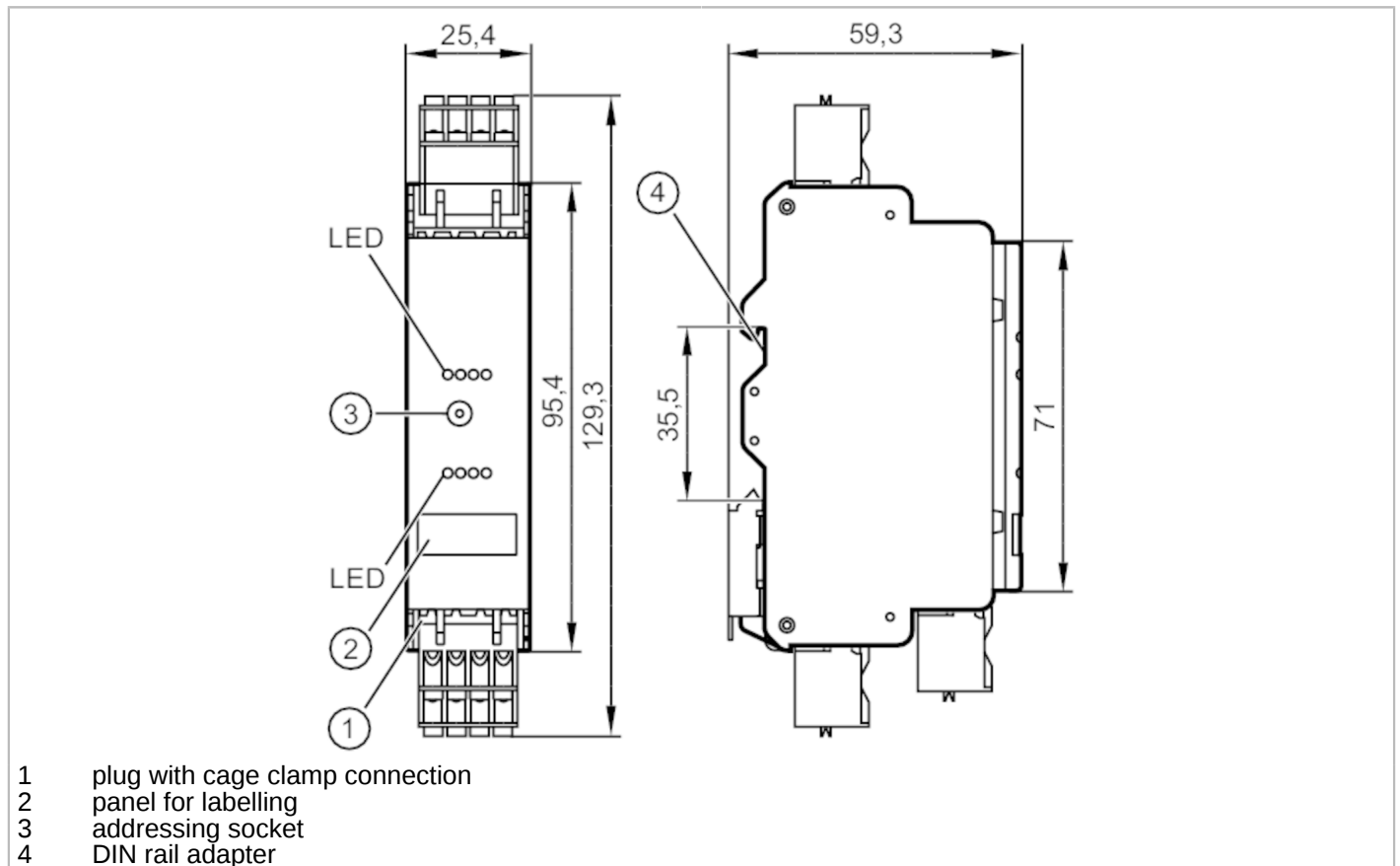


AC3203



AS-Interface control cabinet module

SmartL25 4 DO T C



Application	
Application	Installation in control cabinets
Electrical data	
Operating voltage [V]	18...31.6 DC
Max. current consumption from AS-i [mA]	30
Additional voltage supply [V]	20...30 DC; (AUX)
Max. current consumption from additional supply [mA]	4000; (AUX)
Integrated watchdog	yes
Inputs / outputs	
Number of inputs and outputs	Number of digital outputs: 4



AS-Interface control cabinet module

SmartL25 4 DO T C

Outputs	
Number of digital outputs	4
Circuit	PNP
Voltage range DC [V]	20...30; (AUX)
Max. current load per output [mA]	1000; (utilisation category DC-12: 700 mA; utilisation category DC-13 (control of electromagnets): 20 W (IEC 60947-5-1))
Max. current load outputs total [A]	4
Short-circuit proof	yes
Electrically separated	yes
Actuator supply outputs	AUX

Operating conditions	
Ambient temperature [°C]	-25...65
Note on ambient temperature	the derating of the current load indicated in the operating instructions is to be taken into account at the following ambient temperature: > 55 °C
Storage temperature [°C]	-25...75
Max. relative air humidity [%]	90; (non condensing)
Max. height above sea level [m]	2000
Protection	IP 20
Protection rating terminals	IP 20
Degree of soiling	2

Tests / approvals	
EMC	EN 62026-2
	EN 61000-6-2
	EN 61000-6-3
MTTF [years]	348
Notes	The device shall be supplied from an isolating source.; This voltage source must have a secondary UL-listed fuse (see enclosed sheet).; Alternatively, a class 2 power supply can be used to supply AUX.

AS-i classification											
AS-i version	2.11; 3.0										
AS-i addressing	addressing socket										
Extended addressing mode	no										
AS-i profile	S-8.0.E										
AS-i I/O configuration [hex]	8										
AS-i ID code [hex]	0.E										
AS-i certificate	124403										
Assignment of the data bits	<table border="1"> <thead> <tr> <th>data bit</th> <th>D0</th> <th>D1</th> <th>D2</th> <th>D3</th> </tr> </thead> <tbody> <tr> <td>Output</td> <td>O-1</td> <td>O-2</td> <td>O-3</td> <td>O-4</td> </tr> </tbody> </table>	data bit	D0	D1	D2	D3	Output	O-1	O-2	O-3	O-4
	data bit	D0	D1	D2	D3						
Output	O-1	O-2	O-3	O-4							

Mechanical data	
Weight [g]	135
Type of mounting	mounting on DIN rail
Materials	plastics; PC-GF20

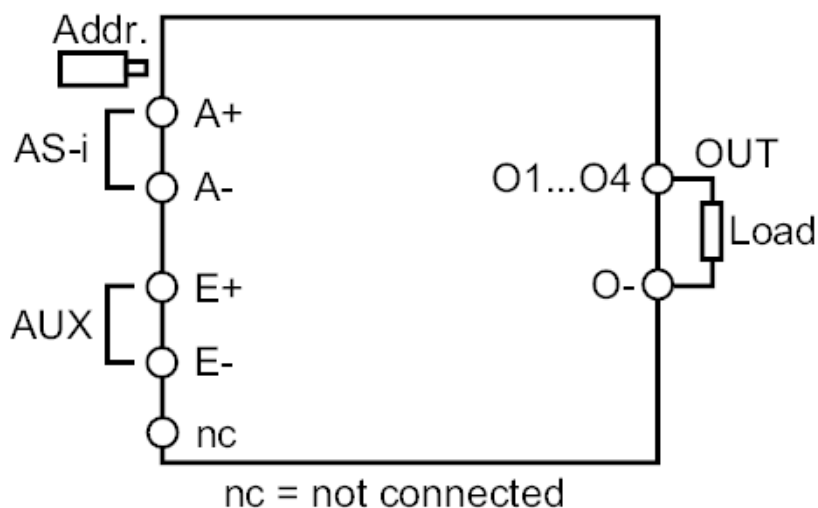
AC3203



AS-Interface control cabinet module

SmartL25 4 DO T C

Displays / operating elements		
Display	switching status	LED, yellow O1...O4
	operation	LED, green AS-i, AUX
	errors	LED, red
Accessories		
Items supplied	cage clamps	
Remarks		
Pack quantity	1 pcs.	
Electrical connection		
pin headers: 4 x ; Spacing: 5.0 mm		
Connection		



A+	AS-i +
A-	AS-i -
E+	external voltage supply for actuators +24V (AUX)
E-	external voltage supply for actuators 0V (AUX)
O1...O4	switching output actuator 1...4
O-	switching output actuator 0V
n.c.	not used