

TSXDEY16A2

discrete input module Modicon Premium - 16 I 24 V AC

Product availability : Stock - Normally stocked in distribution facility

Price* : 940.70 USD



Main

Range of product	Modicon Premium Automation platform
Product or component type	Discrete input module
Discrete input number	16 resistive isolated 16 resistive isolated conforming to EN/IEC 61131-2 type 2
Discrete input voltage	24 V AC 24 V DC negative
Network frequency	50/60 Hz 47...63 Hz AC
Sensor power supply	19...30 V DC 20...26 V AC
Input compatibility	With 2-wire/3-wire proximity sensors conforming to EN/IEC 60947-5-2
Discrete input current	15 mA AC 16 mA DC

Complementary

Voltage state 1 guaranteed	≤ 10 V DC 10 V AC
Current state 1 guaranteed	≥ 6.5 mA DC 6 mA AC
Voltage state 0 guaranteed	≥ 19 V DC 5 V AC
Current state 0 guaranteed	≤ 2 mA DC 4 mA AC
Input impedance	1600 Ohm at state 1
Response time	15 ms ≤ 20 ms
Insulation resistance	< 10 MOhm 500 V DC
Power dissipation	(1 W + 0.4 W x No of channels used) DC 0.89 W AC
Electrical connection	Screw terminal

Marking	CE
Current consumption	80 mA 5 V DC
Module format	Standard
Product weight	0.68 lb(US) (0.31 kg)

Environment

Dielectric strength	1500 V AC at 50/60 Hz
Standards	CSA C22.2 No 213 Class I Division 2 Group B CSA C22.2 No 213 Class I Division 2 Group D 89/336/EEC 73/23/EEC CSA C22.2 No 142 CSA C22.2 No 213 Class I Division 2 Group C EN/IEC 61131-2 IEC 60664 93/68/EEC CSA C22.2 No 213 Class I Division 2 Group A UL 508 92/31/EEC
Product certifications	GL ABS LR BV RMRS RINA DNV
Ambient air temperature for operation	32...140 °F (0...60 °C)
Ambient air temperature for storage	-13...158 °F (-25...70 °C)
Relative humidity	10...95 % without condensation for operation 5...95 % without condensation for storage
Operating altitude	0...6561.68 ft (0...2000 m)
Protective treatment	TC
IP degree of protection	IP20
Pollution degree	2

Ordering and shipping details

Category	22558 - TSX PREMIUM, ATRIUM & PL7 PRO
Discount Schedule	PC22
GTIN	00785901725466
Nbr. of units in pkg.	1
Package weight(Lbs)	6.610000000000003
Returnability	N
Country of origin	FR

Offer Sustainability

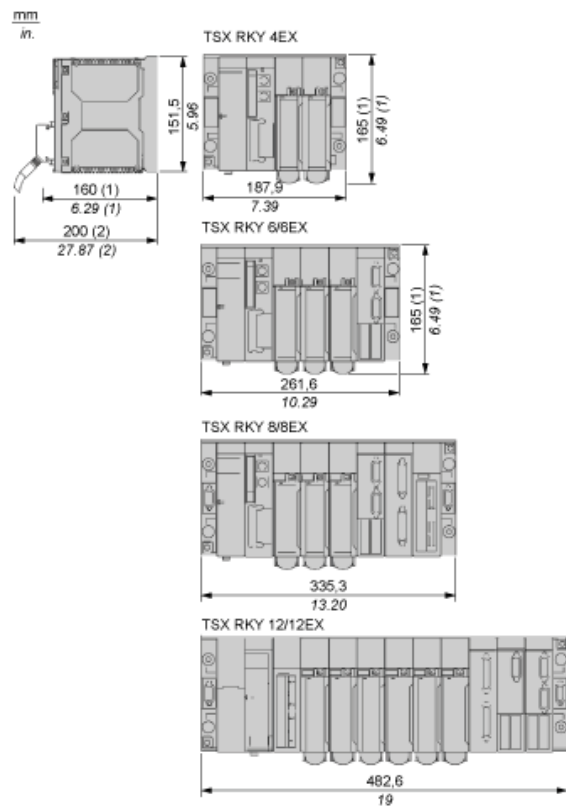
Sustainable offer status	Not Green Premium product
RoHS (date code: YYWW)	Compliant - since 0925 - Schneider Electric declaration of conformity Schneider Electric declaration of conformity
REACH	Reference not containing SVHC above the threshold Reference not containing SVHC above the threshold
Product end of life instructions	Need no specific recycling operations

Contractual warranty

Warranty period	18 months
-----------------	-----------

Standard and Extendable Racks for Modules Mounting

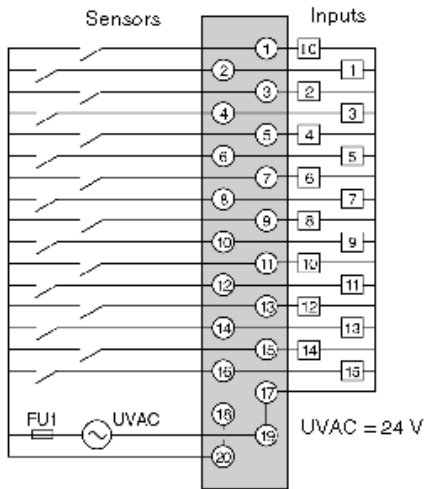
Dimensions of Modules and Racks



- (1) With screw terminal block modules.
- (2) Maximum depth for all types of modules and their associated connectors.

24 Vac Discrete Input 16-Channel Module

Wiring Diagram

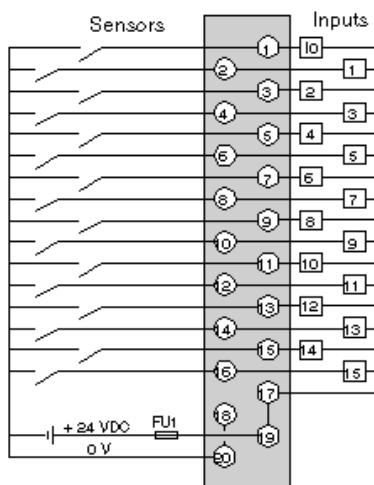


FU1 0.5 A quick-blow fuse

Using the Module in Direct Current (24 Vdc)

Wiring Diagram

The module can be used in direct current with its 16 inputs in negative logic.



FU1 0.5 A quick-blow fuse

NOTE: When the 0 V sensor is grounded, it is not recommended to use the negative logic. If any wire is accidentally disconnected and comes into contact with the mechanical ground, this might set an input to 1, which could result in a wrong command.