

Product availability : Stock - Normally stocked in distribution facility

Price* : 1485.00 USD



Main

Range of product	Modicon TSX Micro automation platform
Product or component type	Modular base controller
Primary voltage	100...240 V 90...264 V AC
Input current	2 mA < 60 A
Immunity to microbreaks	< 20 ms
Output current	0.5 A

Complementary

Number of slots	2
Module type	Screw terminal discrete I/O
Discrete input number	16 24 V AC
Discrete output number	12 relay
Integrated connection type	1 serial link Uni-Telway 19.2 kbit/s 1 Modbus Modbus RTU 19.2 kbit/s
Realtime clock	With
Memory description	Internal RAM 14 Kwords data Flash 15 Kwords data
Maximum size of object areas	256 %Mi 1 %MWi internal words 128 %KW constant words
Execution time per instruction	0.25 µs Boolean without PCMCIA card 4.81 µs arithmetic REAL floating without PCMCIA card
Execution time for 1 Kinstruction	3.03 100 % Boolean without PCMCIA card 0.25 65 % Boolean and 35 % numerical without PCMCIA card
Application structure	8 event tasks 1 master task 1 fast task
System overhead	1.9 ms master task
Protection type	Overload protection Short-circuit

Network frequency	50...60 Hz
Total useful secondary power	24 W
Electromagnetic compatibility	Electrostatic discharge IEC 1000-4-2 level 3 Electromagnetic field immunity test IEC 1000-4-3 level 3 Resistance to fast transient IEC 1000-4-4 level 3 Immunity to impulse waves IEC 1000-4-5 Damped oscillatory wave IEC 1000-4-12 Immunity to electromagnetic interference IEC 61131-2

Environment

Ambient air temperature for operation	32...140 °F (0...60 °C)
Ambient air temperature for storage	-13...158 °F (-25...70 °C)
Relative humidity	5...95 % without condensation for operation 10...95 % without condensation for operation
Operating altitude	0...6561.68 ft (0...2000 m)
Width	11.13 in (282.7 mm)
Height	5.94 in (151 mm)
Depth	5.98 in (152 mm)
Product weight	4.21 lb(US) (1.91 kg)

Ordering and shipping details

Category	22556 - TSX MICRO, PL7 MICRO & ACCESS
Discount Schedule	PC14
GTIN	00785901766308
Nbr. of units in pkg.	1
Package weight(Lbs)	4.410000000000001
Returnability	N
Country of origin	FR

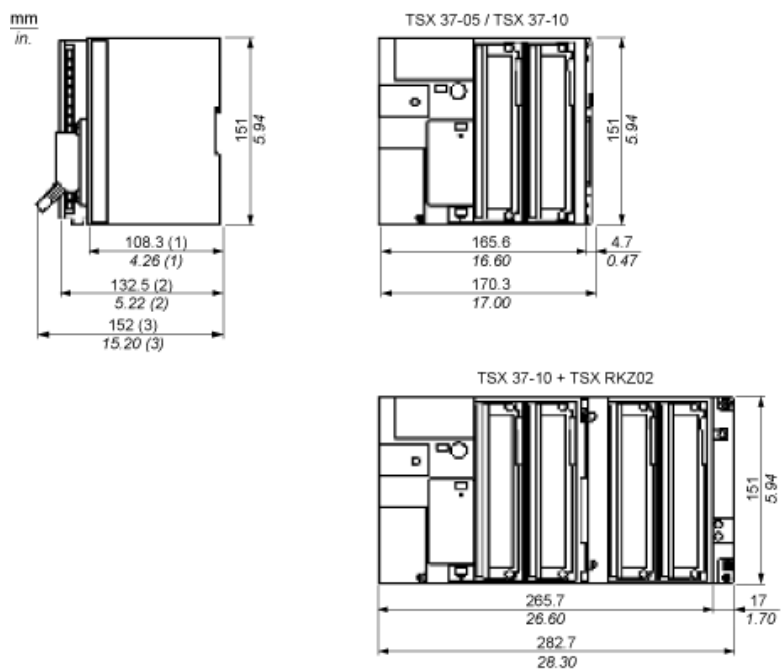
Offer Sustainability

Sustainable offer status	Not Green Premium product
RoHS (date code: YYWW)	Will not be compliant Will not be compliant
REACH	Reference not containing SVHC above the threshold Reference not containing SVHC above the threshold

Contractual warranty

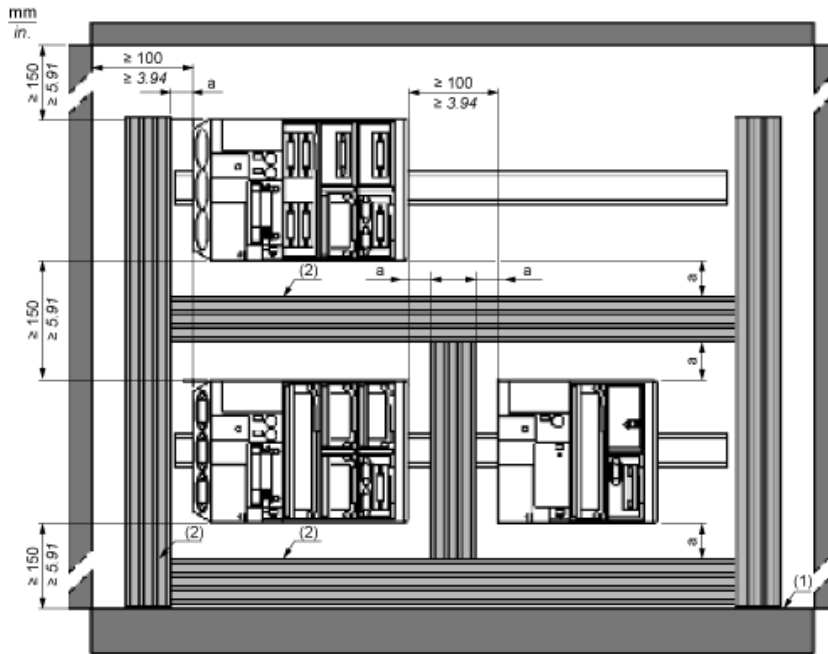
Warranty period	18 months
-----------------	-----------

Dimensions



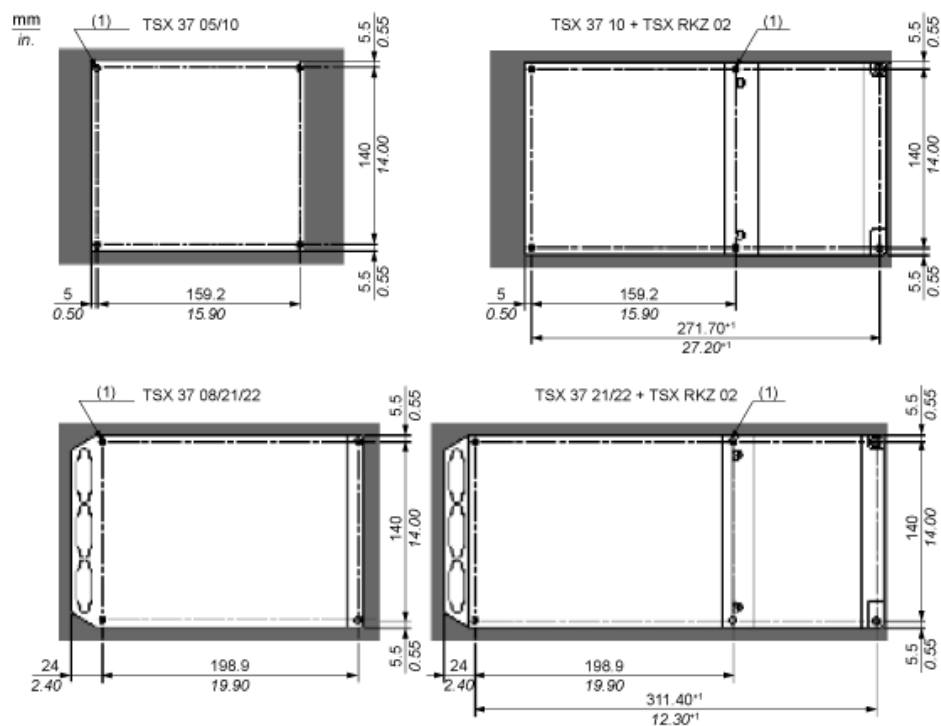
- (1) PLC empty.
- (2) With screw terminal block.
- (3) With HE10 or SubD connector.

Spacing Requirements



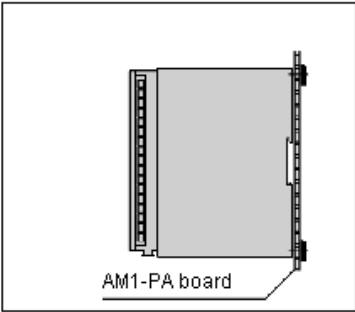
- a 50 mm/1.97 in. minimum
- (1) Installation or casing
- (2) Trough or cable tray

Panel/Board Mounting



Telequick Board Mounting

Side View



Use 4 screws with M4x16AF1-VA416 captive washers and 4 M4 AF1-EA4 clip nuts.