

Features and Benefits:

- Supports layer 2 access switching and layer 3 routing for use in multiple layers of the architecture
- Integrated Device Level Ring (DLR) with three-ring support helps increase network design flexibility for more complex machines
- All Gigabit (GE) Platform for high performance network support
- Default configurations for industrial applications providing easy setup and optimized performance
- Support for dual GE switch ring configurations for high performance network resiliency
- Integrated Network Address Translation (NAT) provides 1:1 IP address mapping helping to reduce commissioning time

Optimized Integration:

- Studio 5000® Add-on Profiles (AOPs) enable premier integration into the Rockwell Automation Integrated Architecture® system
- Predefined Logix tags for monitoring and port control
- FactoryTalk® View Faceplates help to enable status monitoring and alarming
- Embedded Cisco technology helps enable integration with the enterprise network and provides common IT development and management tools



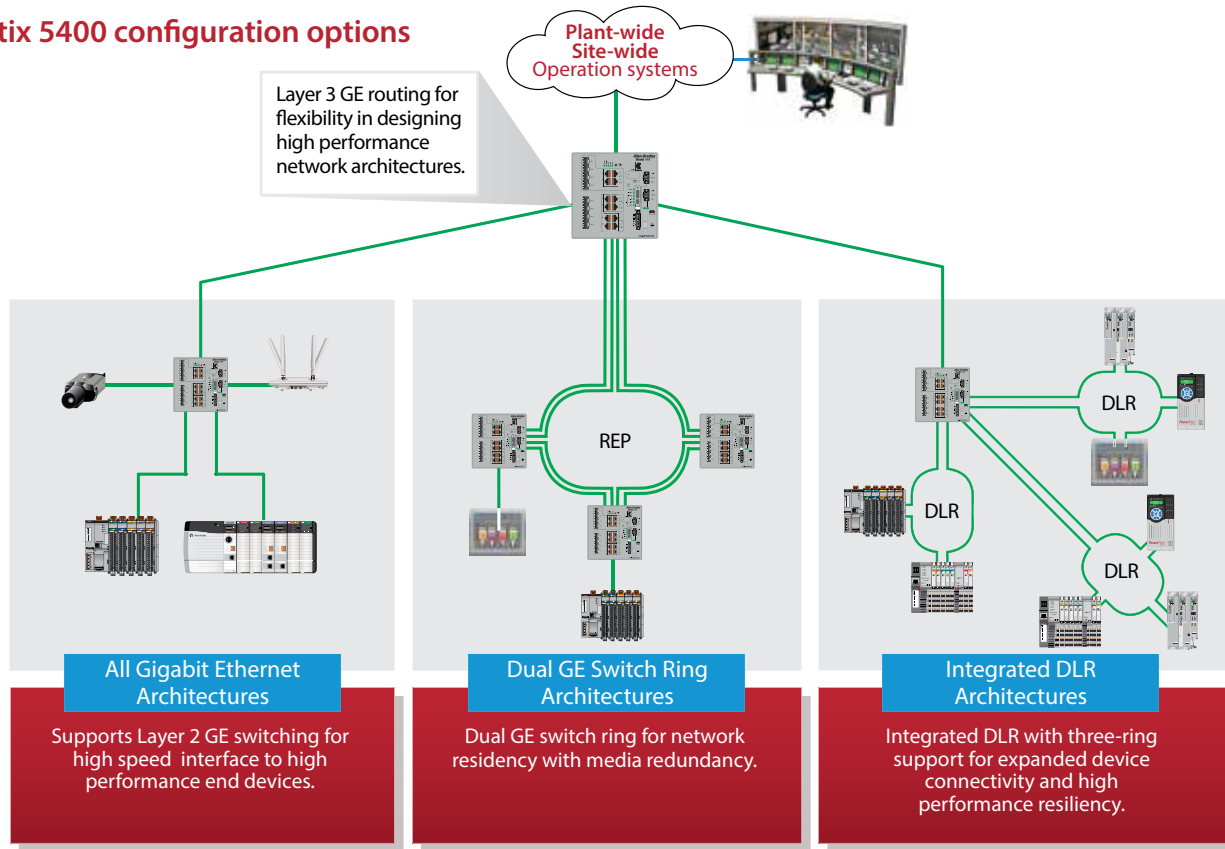
Rockwell Automation is extending the existing Stratix® portfolio of industrial network infrastructure products to include a switch with an all Gigabit (GE) platform. The Allen-Bradley® Stratix 5400 industrial managed switch supports layer 2 switching and layer 3 routing with GE Power over Ethernet (PoE) and additional GE fiber ports, which enhance scalability for use in various applications.

This addition to the portfolio exhibits increased versatility with the ability to support multiple network configurations. When used as a layer 2 switch, the Stratix 5400 is an ideal solution for heavy industry applications where dual ring architectures are required or where high performance end devices, such as video or telephony, are needed.

When acting as a Layer 3 switch, routing is enabled between segmented networks for better performance and protection from unwanted network traffic. Segmenting the network helps to ease network changes, to simplify network security management by building domains of trust and to increase efficiency.

By choosing a switch co-developed by Rockwell Automation and Cisco, your Operations Technology (OT) and Information Technology (IT) professionals leverage tools and technology that is familiar to them. By helping to provide optimized integration, you can experience easier commissioning and faster diagnostics retrieval.

Stratix 5400 configuration options



	Catalog number	Total ports	RJ45 ports	Combo ports (RJ45 and SFP slot)	PoE ports	SFP slots	Firmware (FW) type	IEEE 1588 PTP	NAT	DLR
4 GE port versions	1783-HMS4C4CGN	8	-	4 GE + 4FE	-	-	Layer 2	Yes	Yes	Yes
	1783-HMS8T4CGN	12	8 FE	4 GE	-	-				
	1783-HMS8S4CGN	12	-	4 GE	-	8 FE				
	1783-HMS4T4E4CGN	12	4 FE	4 GE	4 FE	-				
	1783-HMS4S8E4CGN	16	-	4 GE	8 FE	4 FE				
	1783-HMS16T4CGN	20	16 FE	4 GE	-	-				
All GE port versions	1783-HMS8TG4CGN	12	8 GE	4 GE	-	-	Layer 2	Yes	Yes	Yes
	1783-HMS8SG4CGN	12	-	4 GE	-	8 GE				
	1783-HMS4EG8CGN	12	-	8 GE	4 GE	-				
	1783-HMS4SG8EG4CGN	16	-	4 GE	8 GE	4 GE				
	1783-HMS16TG4CGN	20	16 GE	4 GE	-	-				
	1783-HMS8TG8EG4CGN	20	8 GE	4 GE	8 GE	-				
All GE port layer 3 versions	1783-HMS8TG4CGR	12	8 GE	4 GE	-	-	Layer 3	Yes	Yes	Yes
	1783-HMS8SG4CGR	12	-	4 GE	-	8 GE				
	1783-HMS4EG8CGR	12	-	8 GE	4 GE	-				
	1783-HMS4SG8EG4CGR	16	-	4 GE	8 GE	4 GE				
	1783-HMS16TG4CGR	20	16 GE	4 GE	-	-				
	1783-HMS8TG8EG4CGR	20	8 GE	4 GE	8 GE	-				

FE - Fast Ethernet GE - Gigabit Ethernet

Allen-Bradley, FactoryTalk, Integrated Architecture, LISTEN. THINK. SOLVE., Rockwell Software, Stratix, and Studio 5000 are trademarks of Rockwell Automation, Inc.

www.rockwellautomation.com

Power, Control and Information Solutions Headquarters

Americas: Rockwell Automation, 1201 South Second Street, Milwaukee, WI 53204-2496 USA, Tel: (1) 414.382.2000, Fax: (1) 414.382.4444

Europe/Middle East/Africa: Rockwell Automation NV, Pegasus Park, De Kleetlaan 12a, 1831 Diegem, Belgium, Tel: (32) 2 663 0600, Fax: (32) 2 663 0640

Asia Pacific: Rockwell Automation, Level 14, Core F, Cyberport 3, 100 Cyberport Road, Hong Kong, Tel: (852) 2887 4788, Fax: (852) 2508 1846