

General Specifications

Model SC4A Conductivity Sensors and Fittings for 2-electrode Systems

Insertion Sensors

Stainless steel or Titanium 2-electrode sensors with cell constants of 0.02 cm⁻¹, 0.10 cm⁻¹, and fixed cables 3 to 20 meters in length.

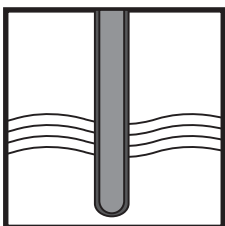
Intended for the low conductivity applications found in the semi-conductor, power, water and pharmaceutical industries, these sensors are designed in a convenient compact style. There are several mounting possibilities, including a compression gland, giving a simple effective method of direct insertion in process pipework. The sensors are made from a combination of wetted materials approved by FDA. This makes them ideally suited for the monitoring of pure water systems used in the preparation of injectable solutions. For this kind of application, sanitary clamp mountings are most often used. As with all Yokogawa conductivity sensors, the cell constants are individually calibrated in our laboratories using an ASTM method traceable to NIST international standards.

Features

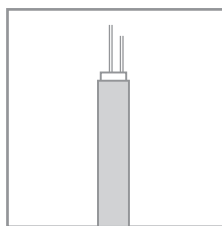
- Precise individually calibrated cell constant.
- Fast temperature response.
- Built-in Pt1000 temperature sensor.
- Fixed cable length 3, 5, 10, 15 or 20 mtr.
- Direct process insertion.
- Wide range of mountings.
- Compatible with PR4A retractably assembly.
- The sensor is polished to meet pharmaceutical requirements.



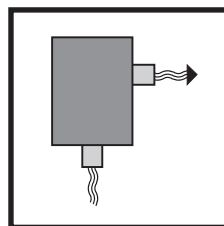
System Configuration



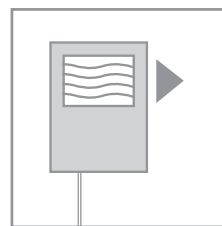
Sensors



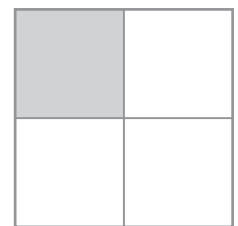
Cables



Fittings



Transmitters



Accessories

Specifications SC4A-AD

General Specifications - Materials - Wetted Parts

- Body & electrodes : Stainless steel AISI 316 or Titanium grade 2 or 3
- O-ring : EPDM FDA
- Mounting adapter : PVDF or Stainless steel AISI 316
- Insulation : PEEK (Poly Ether Ether Ketone)
- Surface Roughness : 0.8µm (R432)

Operating Specifications (Sensor)

- Measuring system : 2-electrode (4-wire)
- Maximum pressure : 10 bar (142 PSIG)
- Maximum temperature: 110°C (230 °F)
- Temperature response: < 1 minute for 90% of a step change
- Sterilize : At 135°C (275 °F)

Shipping details

- Package size : wxhxd 220 x 220 x 90 cm
- wxhxd 215 x 150 x 55 cm
- Package weight : Approx. 1.6 kg. 3.5 lb

Model	Suffix	Option	Description
SC4A*			19 mm conductivity sensor
	-T		Titanium
	-S		Stainless steel (EHEDG model)
Fitting-type	-AD		For adapter mounting
Sensor length	-09		9 cm
	-15		15 cm
Cellconstant	-002		0.02/cm
	-010		0.1/cm
Cable length	-03		3 mtr
	-05		5 mtr
	-10		10 mtr
	-15		15 mtr
	-20		20 mtr
	-T1		Pt1000
AD only		/PS	3/4"NPT Stainless Steel adapter
		/PF	3/4"NPT PVDF adapter
(option /PS required)		/FF	Stainless Steel flow fitting
Certificates		/Q	Quality Inspection Certificate

* 3.1 Material certificate according to EN 10024 is standard delivered with this sensor.

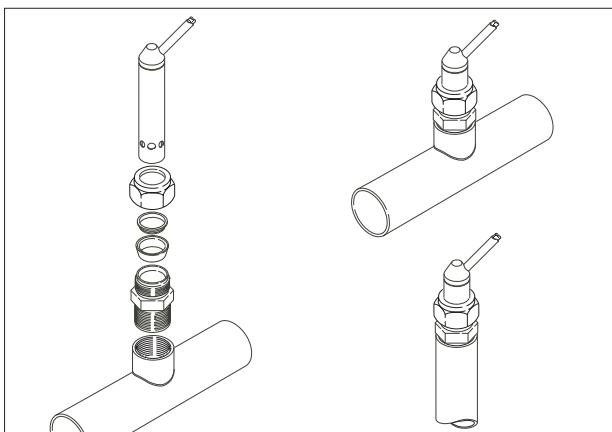
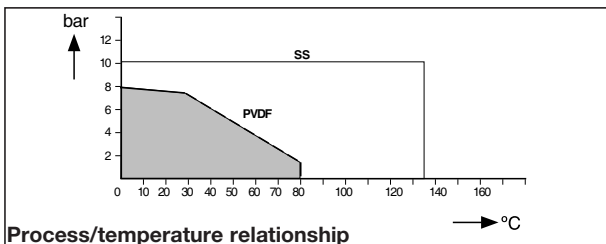


Figure 1. Mounted sensor with the option /PS and /PF

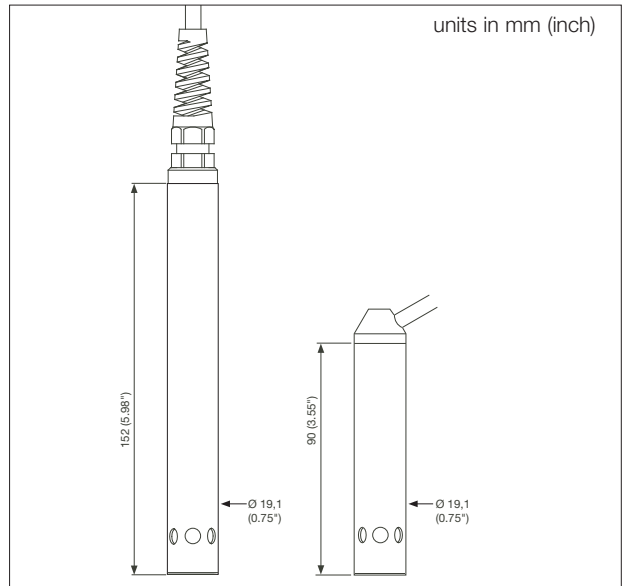


Figure 2. SC4A-AD-15 SC4A-AD-09

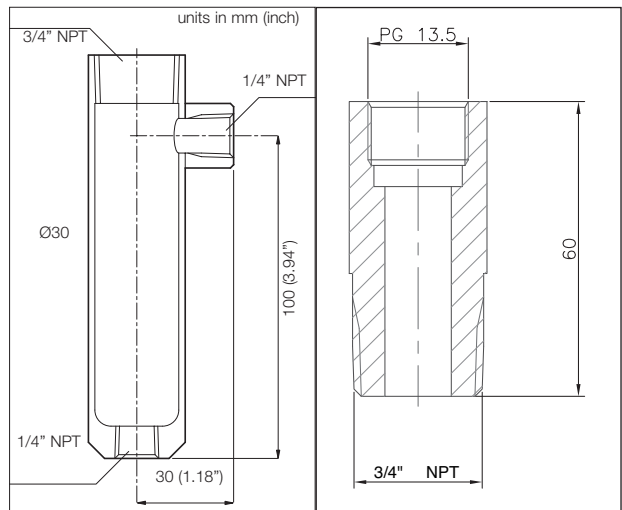


Figure 3. Flow fitting (SS) option /FF K1598 AC (incl. 3.1 B certificate)

Figure 4. Adapter K1598JB (noryl) or K1523JD (SS) to fit sensors with PG13,5 process connection in K1598AC flow fitting

Specifications SC4A-SA/SB/SC

General Specifications

The SC4A-E is a FDA approved conductivity sensor with full traceability and supporting documents.

- EPDM O-ring (21 CFR 177.2600)
- SS is 1.4435
- Double O-ring construction (EPDM 21 CFR 177.2450)
- Virgin PEEK isolator (21 CFR 177.2415)
- Surface roughness Ra < 0.4µm (R416)
- Meets EHEDGE/AAA specifications
- 2% accuracy for the Cell constant
- Batch certificate downloadable from Yokogawa website

Materials

Wetted Parts

Body & electrodes	: Stainless steel AISI 316I (1.4435)
O-ring	: EPDM, FDA migration tested 21 CFR 177.2600
Mounting adapter	: Stainless steel AISI 316I Tri-clamp according to ISO 2852-1993
Insulation	: PEEK (Poly Ether Ether Ketone) FDA migration tested 21 CFR 177.2415
Surface Roughness	: 0.5µm

Operating Specifications (Sensor)

Measuring system	: 2-electrode, 4-wire
Maximum pressure	: 10 bar (142 PSIG)
Maximum temperature	: 110°C (230 °F)
Temperature response	: < 1 minute for 90% of a step change
Sterilize	: At 135°C (275 °F)

Operating Specifications options /SB1, /SB2, /SA1, /SA2, /SC1

Stainless Steel	
Maximum pressure	: 10 bar (142 gpsi)
Maximum temperature	: 135°C (275°F)

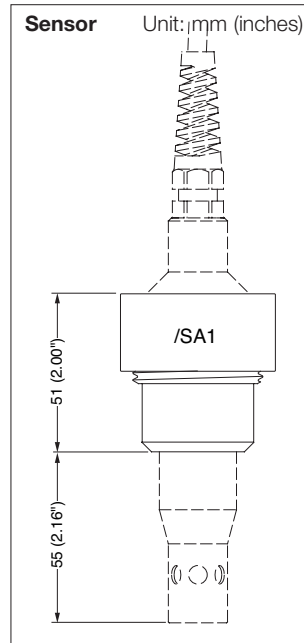
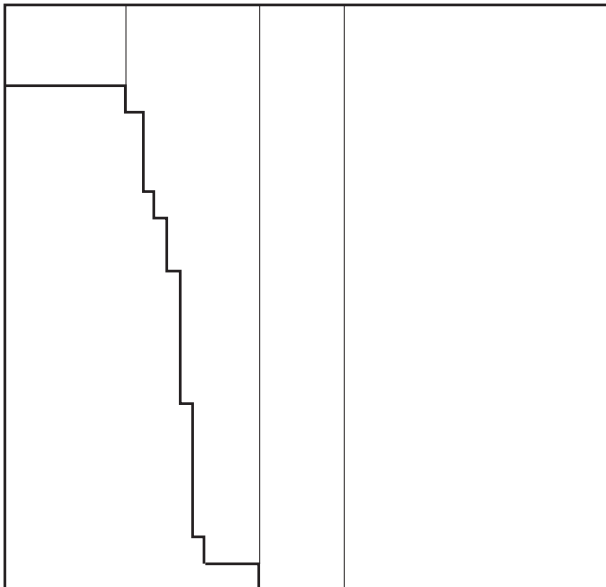


Figure 6. Option /SA1

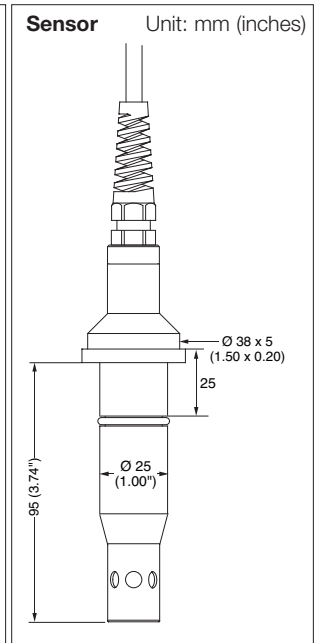


Figure 7. Sensor SC4A-SA

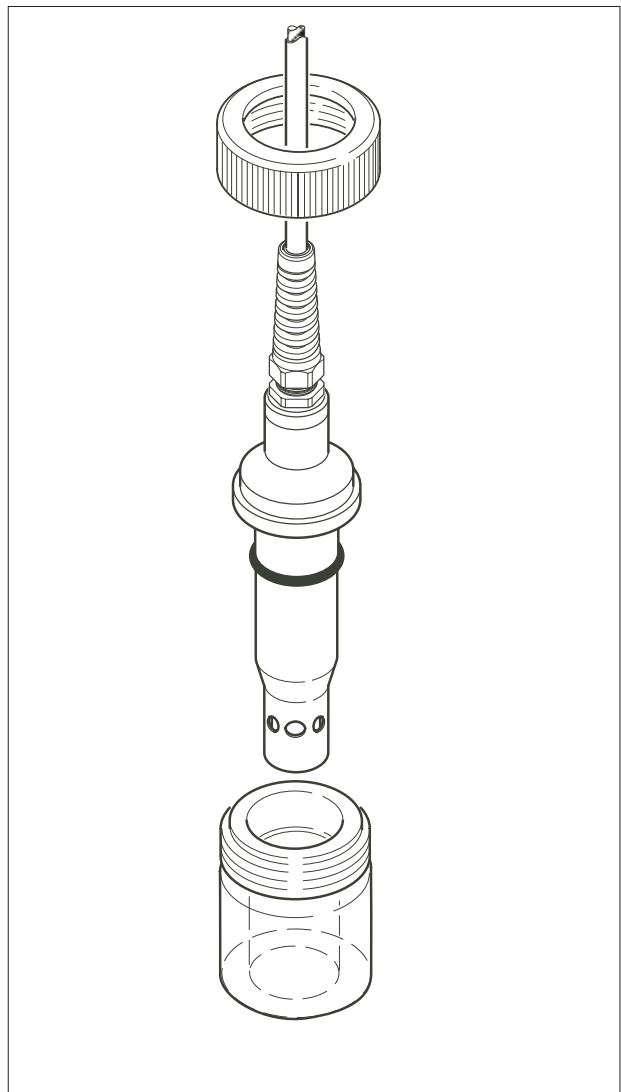


Figure 8. Mounted Sensor SC4A -SA

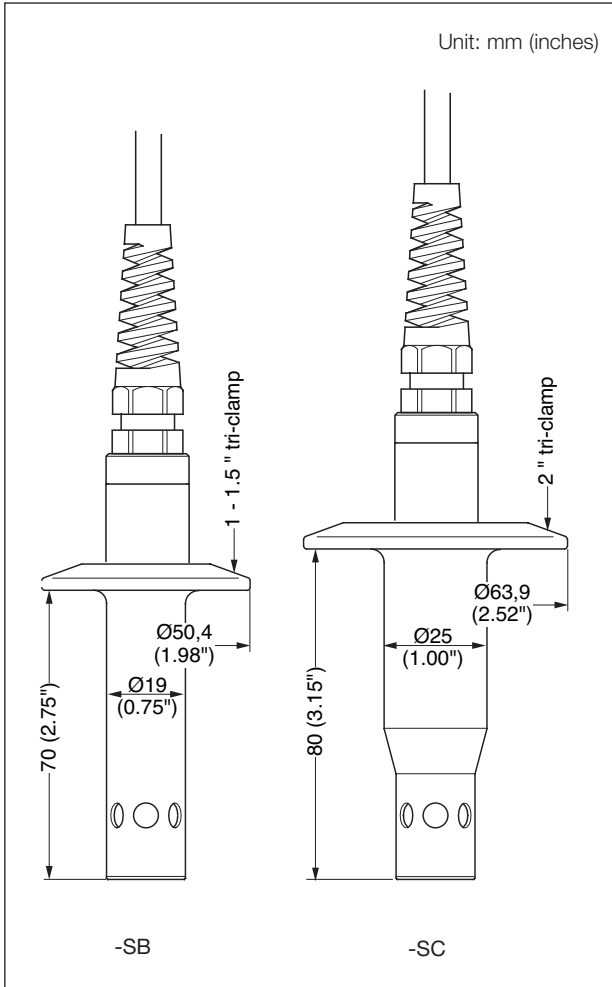


Figure 9. Sensor SC4A

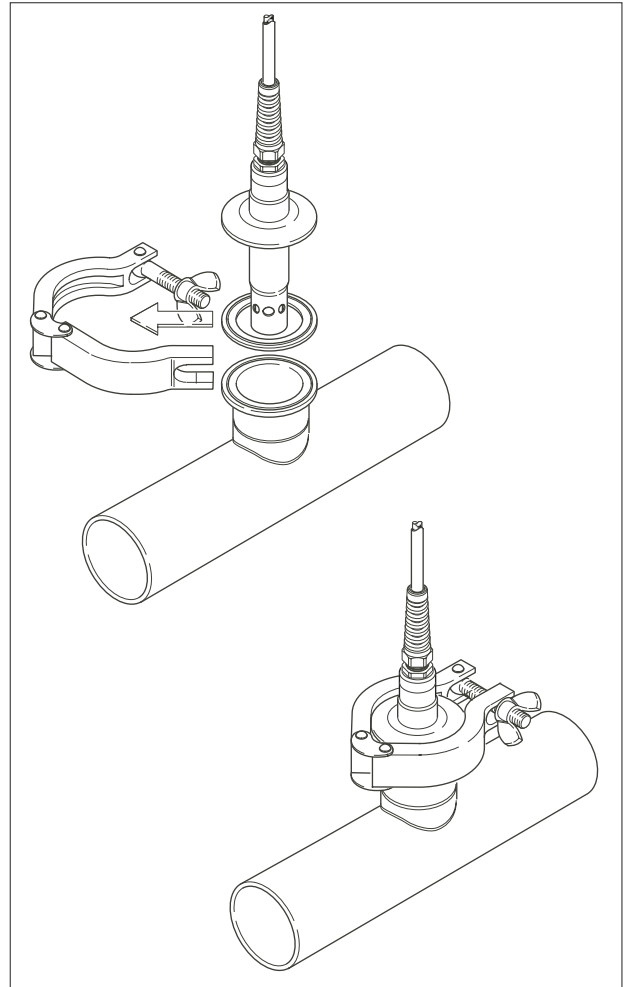


Figure 11. Mounting example

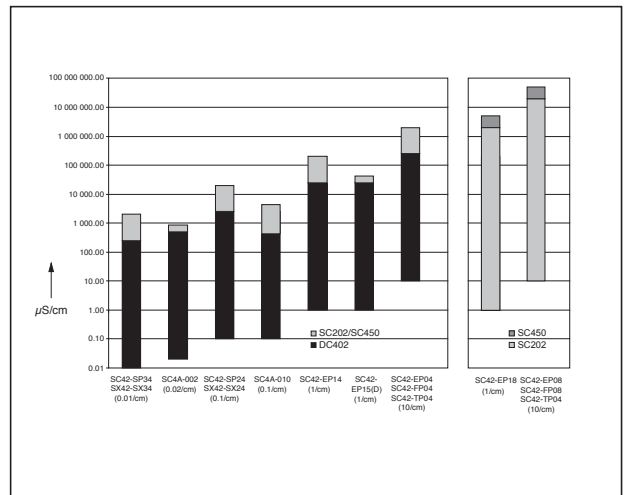


Figure 12. Suitable application area

Specifications SC4A-PR

General Specifications

Materials

Wetted Parts

Body & electrodes	: Stainless steel AISI 316 or Titanium grade 2 or 3
O-ring	: Viton
Mounting adapter	: Retractable fitting
Insulations	: PEEK (Poly Ether Ether Ketone)

Operating Specifications (Sensor)

Measuring system	: 2-electrode
Maximum pressure	: 10 bar (142 PSig)
Maximum temperature	: 110°C (230 °F)
Temperature response	: < 1 minute for 90% of a step change
Sterilize	: At 135°C (275 °F)
Surface Roughness	: 0.8µm (R432)

Shipping details

Package size	: wxhxd 220 x 220 x 90 cm wxhxd 215 x 150 x 55 cm
Package weight	: Approx. 1.6 kg. 3.5 lb

Model Code	Suffix code	Option	Description
SC4A*			19 mm conductivity sensor
	-T		Titanium
	-S		Stainless steel
Fitting-type	-PR		For retractable mounting
Always	-NN		fixed length
Cellconstant	-002		0.02/cm
	-010		0.1/cm
Cable length	-03		3 meter
	-05		5 meter
	-10		10 meter
	-15		15 meter
	-20		20 meter
	-T1		Pt1000
Certificates		/Q*	Quality Inspection Certificate

* 3.1 Material certificate according to EN 10024 is standard delivered with this sensor.

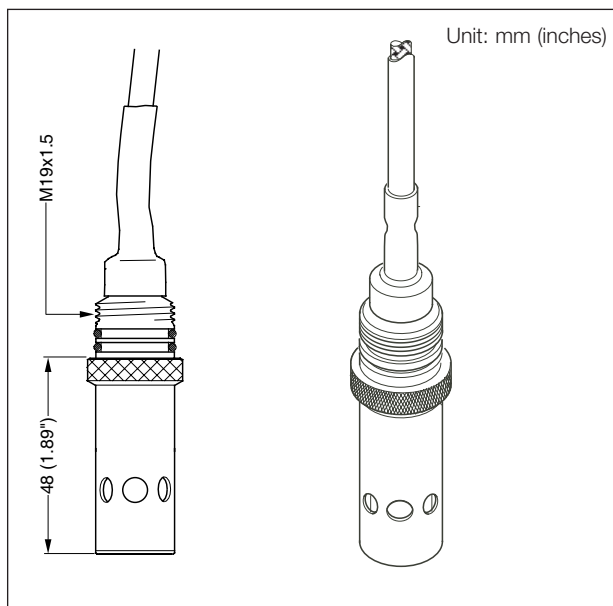


Figure 13. SC4A -PR

Spare Parts SC4A

Part no.	Description
SC4A-S- AD and SC4A-T-AD	
K1542DF	Compression fitting in Stainless Steel (/PS)
K1500DY	Ferrule set for K1542DF
K1542CW	3/4" npt adapter PVDF
K1598AC	Flowfitting with 3.1 material certificate
SC4A-E-SA	
K1542FA	Straight welding socket and mounting nut SS
K1500BJ	O-rings in EPDM (5), FDA migration tested
SC4A-E-SB	
K1542FC	Tri-Clamp mounting set for 1" triclamp (welding socket, sealing gasket and clamp ring) (/SB1)
K1500HN	Sealing gasket in EPDM for K1542FC (3), FDA migration tested
K1542FF	Tri-Clamp mounting set for 1,5" triclamp (welding socket, sealing gasket and clamp ring) (/SB2)
K1500BN	Sealing gasket in EPDM for K1542FF (3), FDA migration tested
SC4A-E-SC	
K1542FE	Tri-Clamp mounting set for 2" triclamp (welding socket, sealing gasket and clamp ring) (/SC1)
K1500BP	Sealing gasket in EPDM for K1542FE (3), FDA migration tested
SC4A-T-PR and SC4A-S-PR	
K1500BE	O-rings in Viton (10)
K1500ED	O-rings in Kalrez (2)

YOKOGAWA HEADQUARTERS

9-32, Nakacho 2-chome,
Musashinoshi
Tokyo 180
Japan
Tel. (81)-422-52-5535
Fax (81)-422-55-1202
www.yokogawa.com

YOKOGAWA EUROPE B.V.

Euroweg 2
3825 HD AMERSFOORT
The Netherlands
Tel. +31-88-4641 000
Fax +31-88-4641 111
E-mail: info@nl.yokogawa.com
www.yokogawa.com/eu

YOKOGAWA CORPORATION OF AMERICA

2 Dart Road
Newnan GA 30265
United States
Tel. (1)-770-253-7000
Fax (1)-770-251-2088
www.yokogawa.com/us

YOKOGAWA ELECTRIC ASIA Pte. Ltd.

5 Bedok South Road
Singapore 469270
Singapore
Tel. (65)-241-9933
Fax (65)-241-2606
www.yokogawa.com/sg

Yokogawa has an extensive sales and distribution network. Please refer to the European website (www.yokogawa.com/eu) to contact your nearest representative.

**YOKOGAWA** ◆