

SC311 Infrared Combustible Gas Sensor



Important Instructions

Net Safety Monitoring, Inc (Net Safety) designs, manufactures and tests products to function within specific conditions. Because these products are sophisticated technical instruments, it is important that the owner and operation personnel must strictly adhere both to the information printed on the product nameplate and to all instructions provided in this manual prior to installation, operation, and maintenance.

WARNING

Installing, operating or maintaining a Net Safety Product improperly could lead to serious injury or death from explosion or exposure to dangerous substances. Comply with all information on the product, in this manual, and in any local and national codes that apply to the product. Do not allow untrained personnel to work with this product. Use Net Safety parts and work procedures specified in this manual.

Notice

The contents of this publication are presented for informational purposes only, and while every effort has been made to ensure their accuracy, they are not to be construed as warranties or guarantees, expressed or implied, regarding the products or services described herein or their use or applicability. All sales are governed by Net Safety's terms and conditions, which are available upon request. We reserve the right to modify or improve the designs or specifications of such products at any time.

Net Safety does not assume responsibility for the selection, use or maintenance of any product. Responsibility for proper selection, use and maintenance of any Net Safety products remains solely with the purchaser and end user.

To the best of Net Safety's knowledge the information herein is complete and accurate. Net Safety makes no warranties, expressed or implied, including implied warranties of merchantability and fitness for a particular purpose with respect to this manual and, in no event, shall Net Safety be liable for any incidental, punitive, special or consequential damages including, but not limited to, loss of production, loss of profits, loss of revenue or use and costs incurred including without limitation for capital, fuel and power, and claims of third parties.

Product names used herein are for manufacturer or supplier identification only and may be trademarks/registered trademarks of these companies.

Net Safety and the Net Safety logo are registered trademarks of Net Safety Monitoring, Inc. The Emerson logo is a trademark and service mark of the Emerson Electric Company.

Copyright © 2016 by Rosemount, Shakopee, MN.

All rights reserved. No part of this work may be reproduced or copied in any form or by any means - graphic, electronic, or mechanical without first receiving written permission of Rosemount, Shakopee, MN.

Warranty

- Limited Warranty.** Subject to the limitations contained in Section 10 (Limitation of Remedy and Liability) herein, Seller warrants that (a) the licensed firmware embodied in the Goods will execute the programming instructions provided by Seller; (b) that the Goods manufactured by Seller will be free from defects in materials or workmanship under normal use and care; and (c) Services will be performed by trained personnel using proper equipment and instrumentation for the particular Service provided. The foregoing warranties will apply until the expiration of the applicable warranty period. Sensors and detectors are warranted against defective parts and workmanship as per [Section 7.4](#). Products purchased by Seller from a third party for resale to Buyer (**Resale Products**) shall carry only the warranty extended by the original manufacturer. Buyer agrees that Seller has no liability for Resale Products beyond making a reasonable commercial effort to arrange for procurement and shipping of the Resale Products. If Buyer discovers any warranty defects and notifies Seller thereof in writing during the applicable warranty period, Seller shall, at its option, (i) correct any errors that are found by Seller in the firmware or Services; (ii) repair or replace FOB point of manufacture that portion of the Goods found by Seller to be defective; or (iii) refund the purchase price of the defective portion of the Goods/Services. All replacements or repairs necessitated by inadequate maintenance; normal wear and usage; unsuitable power sources or environmental conditions; accident; misuse; improper installation; modification; repair; use of unauthorized replacement parts; storage or handling; or any other cause not the fault of Seller, are not covered by this limited warranty and shall be replaced or repaired at Buyer's sole expense and Seller shall not be obligated to pay any costs or charges incurred by Buyer or any other party except as may be agreed upon in writing in advance by Seller. All costs of dismantling, reinstallation, freight and the time and expenses of Seller's personnel and representatives for site travel and diagnosis under this limited warranty clause shall be borne by Buyer unless accepted in writing by Seller. Goods repaired and parts replaced by Seller during the warranty period shall be in warranty for the remainder of the original warranty period or 90 days, whichever is longer. This limited warranty is the only warranty made by Seller and can be amended only in a writing signed by an authorized representative of Seller. The limited warranty herein ceases to be effective if Buyer fails to operate and use the Goods sold hereunder in a safe and reasonable manner and in accordance with any written instructions from the manufacturers. THE WARRANTIES AND REMEDIES SET FORTH ABOVE ARE EXCLUSIVE. THERE ARE NO REPRESENTATIONS OR WARRANTIES OF ANY KIND, EXPRESS OR IMPLIED, AS TO MERCHANTABILITY, FITNESS FOR PARTICULAR PURPOSE OR ANY OTHER MATTER WITH RESPECT TO ANY OF THE GOODS OR SERVICES.
- Limitation of Remedy and Liability.** SELLER SHALL NOT BE LIABLE FOR DAMAGES CAUSED BY DELAY IN PERFORMANCE. THE REMEDIES OF BUYER SET FORTH IN THE AGREEMENT ARE EXCLUSIVE. IN NO EVENT, REGARDLESS OF THE FORM OF THE CLAIM OR CAUSE OF ACTION (WHETHER BASED IN CONTRACT, INFRINGEMENT, NEGLIGENCE, STRICT LIABILITY, OTHER TORT OR OTHERWISE), SHALL SELLER'S LIABILITY TO BUYER AND/OR BUYER'S CUSTOMERS EXCEED THE PRICE TO BUYER OF THE SPECIFIC GOODS MANUFACTURED OR SERVICES PROVIDED BY SELLER GIVING RISE TO THE CLAIM OR CAUSE OF ACTION. BUYER AGREES THAT IN NO EVENT SHALL SELLER'S LIABILITY TO BUYER AND/OR BUYER'S CUSTOMERS EXTEND TO INCLUDE INCIDENTAL, CONSEQUENTIAL OR PUNITIVE DAMAGES. THE TERM "CONSEQUENTIAL DAMAGES" SHALL INCLUDE, BUT NOT BE LIMITED TO, LOSS OF ANTICIPATED PROFITS, REVENUE OR USE AND COSTS INCURRED INCLUDING WITHOUT LIMITATION FOR CAPITAL, FUEL AND POWER, AND CLAIMS OF BUYER'S CUSTOMERS.

Contents

Section 1: Introduction	1
1.1 Models covered	1
1.2 Service support	1
1.3 Return of material	1
1.4 Product recycling/disposal	1
Section 2: Installation	2
2.1 Unpacking and inspection	2
2.2 Locate sensor	2
2.3 Direct mount or sensor separation	2
2.3.1 Sensor direct mount	2
2.3.2 Sensor separation	2
2.4 Dimensions	4
2.5 Mounting	5
2.6 Wiring	6
2.6.1 Field installation	6
2.6.2 Sensor separation distance	7
2.6.3 Installation to transmitter or junction box	7
2.6.4 Sensor wiring	7
2.6.5 External ground	8
2.7 Calibration	9
2.7.1 Gas curves	9
2.8 Installation checklist	11
Section 3: Operation	12
3.1 Sensor configuration settings	12
3.2 Sensor power up	12
3.3 Sensor communication	12
3.4 Millennium II Basic transmitter configuration	13
3.5 Fault conditions	13
Section 4: Maintenance	14
4.1 Cross sensitivities	14
4.2 Routine inspections	14
4.3 Bump testing	14
4.4 Sensor replacement procedure	14
4.5 Troubleshooting	15
4.6 Storage	15
4.7 Spare parts and accessories	16
Section 5: Electrostatic sensitive device	17
Section 6: Wire resistance table	18
Section 7: Specifications	19
7.1 Electrical	19
7.1.1 Voltage range	19
7.2 Performance	19
7.2.1 Response time	19
7.2.2 Accuracy	19
7.2.3 Zero Drift	19

7.2.4	Repeatability	19
7.2.5	Detection Range	19
7.2.6	Calibration Frequency	19
7.2.7	Storage temperature	19
7.2.8	Operating temperature	19
7.2.9	Relative humidity.....	20
7.2.10	Enclosure material (housing)	20
7.2.11	Ingress protection.....	20
7.2.12	Weight	20
7.3	Separation	20
7.4	Warranty.....	20

Section 8: Certifications21

8.1	North America.....	21
8.1.1	Hazardous locations	21
8.1.2	Performance.....	21
8.2	IECEX.....	21
8.3	FC Models	22
8.3.1	North America (-FC models).....	22
8.3.2	IECEX (-FC models)	22

Section 9: Ordering information23

Section 1: Introduction

1.1 Models covered

The SC311 infrared combustible gas sensor is designed specifically for use with Millennium II Transmitter (models M21, M22, or M2B). This sensor is both versatile and reliable for fast, accurate, and continuous monitoring of gases in extreme environments.

The sensor assembly consists of an explosion proof enclosure (housing) rated for hazardous locations and a replaceable sensor module. This sensor must only be used with a Millennium II series transmitter. If the sensor is connected to any other model of transmitter, it will not function and may result in the sensor or transmitter being damaged.

1.2 Service support

Technical support for this product can be provided by contacting your local Emerson Process Management representative or by contacting the Technical Support department at +1 866 347 3427 (toll free) or Safety.CSC@Emerson.com.

1.3 Return of material

To expedite the return of this product, proper communication between the customer and the factory is important. Before returning a product, call +1 866 347 3427 (toll free) or e-mail Safety.CSC@Emerson.com for a Return Material Authorization (RMA) number.

On the return of the equipment, include the following information:

1. RMA number provided to you by Rosemount
2. Company name and contact information
3. Ship all equipment, prepaid to:
Rosemount
6021 Innovation Boulevard
Shakopee, MN 55379
4. Mark all packages with the **RMA number** and type of return (e.g. return for evaluation)

Pack items to protect them from damage and use anti-static bags or aluminum-backed cardboard as protection from electrostatic damage.

All equipment must be shipped prepaid. Collect shipments will not be accepted.

1.4 Product recycling/disposal

Recycling of equipment and packaging should be taken into consideration and disposed of in accordance with local and national legislations/regulations.

Section 2: Installation

2.1 Unpacking and inspection

Carefully remove all of the components from the packaging and verify them against the enclosed packing list. Inspect all components for any obvious damage such as broken or loose parts. If you find any components missing or damaged, notify your local Net Safety representative or the factory immediately.

Recycling of packaging should be taken into consideration and disposed of in accordance with local and national legislations/regulations.

2.2 Locate sensor

Prior to installing the sensor, a plan should be developed for placement of the sensor. Although there are no absolute rules for determining the quantity of detectors or location of a sensor, the following points should be considered when planning the installation.

- Carefully locate the sensor in an area where gases may potentially accumulate, considering that light gases tend to rise and heavy gases tend to fall and accumulate in low areas.
- Use redundant systems to enhance protection and reliability.
- Consider air movement patterns in the facility.
- Consider the construction of the facility such as trenches where heavy gases or peaks where light gases may accumulate.
- Seek advice from experts knowledgeable about the target gas to be detected.
- Refer to the regulatory publications that discuss guidelines for your industry.

WARNING

Avoid placing the sensor where it may be exposed to splashing or direct water sprays. To protect the sensor a splashguard may be required.

2.3 Direct mount or sensor separation

2.3.1 Sensor direct mount

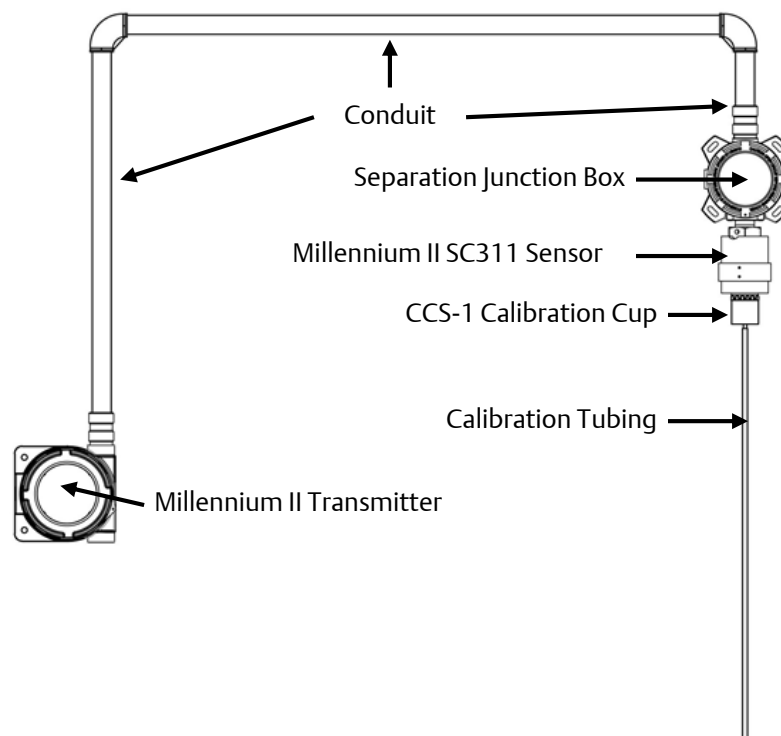
The sensor can be directly attached to a Millennium II transmitter and placed in an appropriate location for detecting the target gas, or the sensor can be separated and remotely mounted away from the Millennium II transmitter. The sensor should be accessible for calibration and maintenance purposes. The transmitter should be located where it is accessible and visible.

2.3.2 Sensor separation

If the sensor is to be remotely mounted from the transmitter, the sensor must be connected to a certified junction box. In this case, the transmitter is typically located near eye-level for easy access and the sensor is mounted where the gas is likely to accumulate.

In order to ease the calibration process a calibration cup (CCS-1) can be attached to the bottom of the sensor housing and calibration tubing run from the calibration cup to a convenient place for applying the calibration gas, eliminating the need to access the sensor directly. In this case, to compensate for the effect of distance, consider decreasing the calibration tubing length to some length where the end of the tubing to the gas canister is still accessible or increase the calibration gas flow rate between the calibration gas cylinder and sensor. Refer to Figure 2-1 for an example of the sensor separation. For tubing lengths less than 10 feet (3 meters), use a 0.5 LPM regulator and for lengths greater than 10 feet (3 meters) use a 1.0 LPM regulator. On initial install, always confirm readings directly at the transmitter by applying a known gas concentration to the sensor and compare the output from the transmitter. Readings should be accurate to the gas concentration applied taking into account the sensor accuracy specifications in [Section 7.2.2](#).

Figure 2-1 Sensor separation example



2.4 Dimensions

The following tables outline the dimensions of the sensor when connected to either the Millennium II Transmitter (Figure 2-2) or the Millennium II Basic Transmitter/Junction Box (Figure 2-3). Both the transmitter and sensor enclosures are offered in aluminum and stainless steel.

Figure 2-2 Net Safety Millennium II (M21 or M22) enclosure and sensor dimensions

	A		B		C		D		E		F		G		H	
	in	mm	in	mm	in	mm	in	mm	in	mm	in	mm	in	mm	in	mm
Stainless Steel	5.9	150	5.1	130	4.6	117	8.9	226	6.0	152	5.8	147	2.6	66	2.9	74
Aluminum	6.3	160	5.6	142	5.4	137	9.7	246	6.0	152	5.7	145	2.6	66	2.9	74

Millennium II Transmitter with sensor

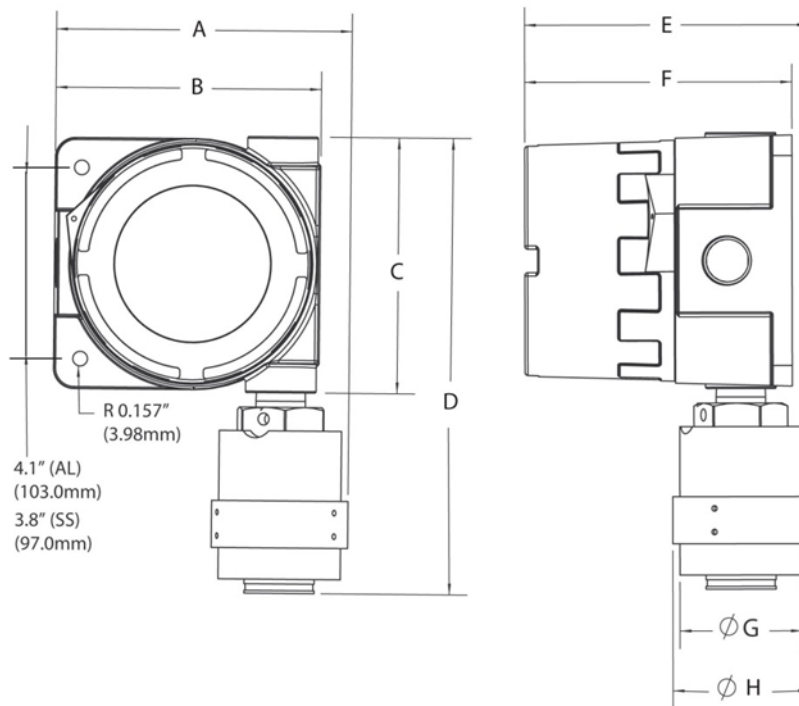
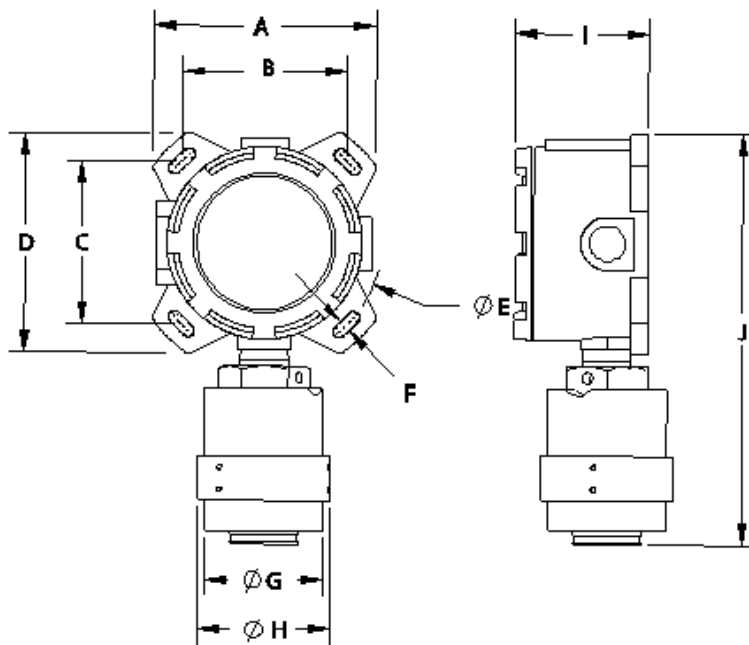


Figure 2-3 Net Safety Millennium II Basic (M2B) or junction box (JB) enclosure and sensor dimensions

	A		B		C		D		E		F		G		H		I		J	
	in	mm	in	mm	in	mm	in	mm	in	mm	in	mm	in	mm	in	mm	in	mm	in	mm
Stainless Steel	4.7	119	3.6	91	3.6	91	4.7	119	5.1	130	0.3	7.6	2.6	66	2.9	74	2.8	71	8.9	226
Aluminum	4.8	122	3.6	91	3.6	91	4.8	122	5.1	130	0.3	7.6	2.6	66	2.9	74	3.0	76	9.0	229

Millennium II Basic Transmitter with sensor



2.5 Mounting

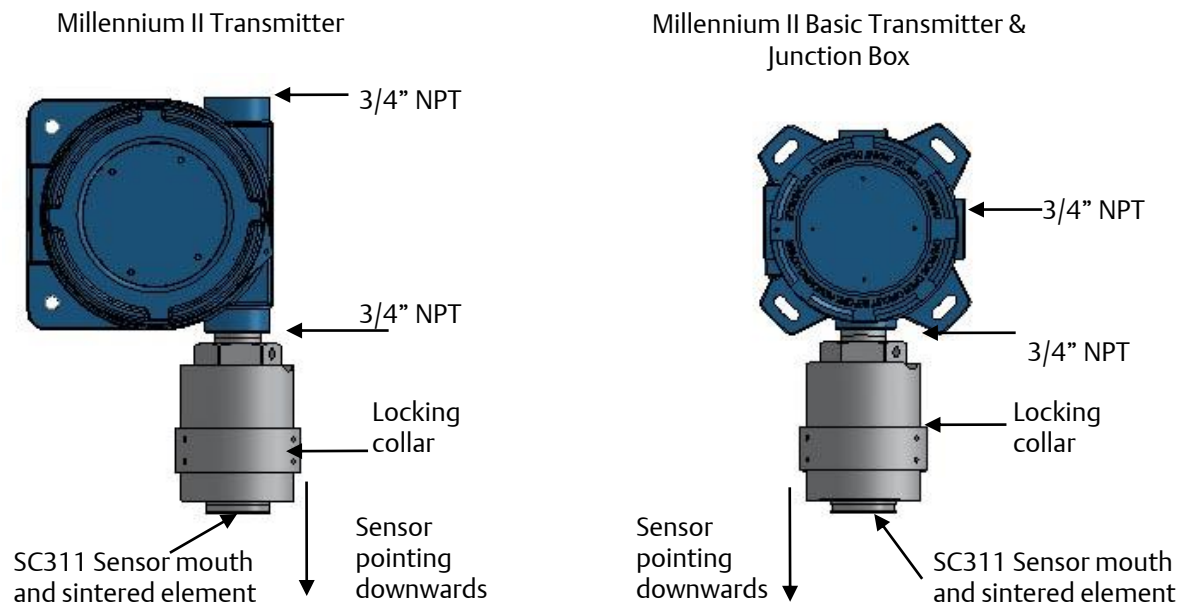
Prior to mounting the sensor to the transmitter or junction box enclosure apply suitable grease (jet lube, etc.) to the threading of the 3/4" FNPT (female NPT) conduit entry of the enclosure as well as the threading on the sensor 3/4" MNPT (male NPT) fitting. This aids in protecting the enclosures from water ingress. After the grease has been applied properly, fit and tighten the sensor to the transmitter or junction box enclosure by using appropriate tools.

The transmitter and junction box have mounting holes to allow mounting to a flat surface or pole as desired. Mounting kit accessories are available to aid in mounting the detector to a flat surface or a pole. Contact your local Emerson Process Management representative for detailed information.

NOTICE

The sensor must always be mounted vertically such that its mouth is pointed in the downward position as shown in Figure 2-4.

Figure 2-4 SC311 Sensor mounted to Millennium II series transmitters



2.6

Wiring

2.6.1

Field installation

⚠ WARNING

Failure to follow these installation guidelines could result in death or serious injury. Ensure that only qualified personnel perform the installation.

Electrical shock could cause death or serious injury. Use extreme caution when making contact with the leads and terminals.

Do not open the transmitter, sensor, or junction box enclosure when in a classified area or when an explosive atmosphere may be present unless the power to the transmitter and sensor has been removed.

NOTICE

Wiring codes and regulations may vary. Wiring must comply with all applicable regulations relating to the installation of electrical equipment in a hazardous area and is the responsibility of the installer. If in doubt, consult a qualified official before wiring the system.

When separating the sensor from the transmitter, the use of shielded cable is highly recommended to protect against interference caused by extraneous electrical or electromagnetic noise. In applications where the wiring is installed in conduit, the conduit must not be used for wiring to other equipment.

2.6.2 Sensor separation distance

The maximum separation distance between the sensor and the transmitter is limited by the resistance of the connecting wiring, which is a function of the gauge of the wire being used. It is recommended that sensor separation must not exceed 2000 feet (610 meters) while using 16AWG (1.31mm²) wire. Refer to 0 for wire gauges and resistance values.

2.6.3 Installation to transmitter or junction box

The SC311 sensor is supplied with a 3/4" NPT male conduit connection and is intended to be mounted directly to an available 3/4" NPT conduit entry on a Millennium II Transmitter or remotely using a certified junction box. There is an available offering of certified junction boxes designed specifically to work with this sensor. Please contact your local Emerson Process Management representative for further information.

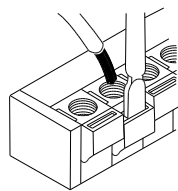
2.6.4 Sensor wiring

⚠ WARNING

Do not open the transmitter, sensor, or junction box enclosure when in a classified area or when an explosive atmosphere may be present unless the power to the sensor has been removed.

When connecting cable wires, use a small flathead screwdriver to gently press down and hold the spring connector open. Insert the appropriate wire into the open connector hole, releasing the screwdriver to secure the wire. Refer to [Figure 2-5](#) below.

Figure 2-5 Terminal connection

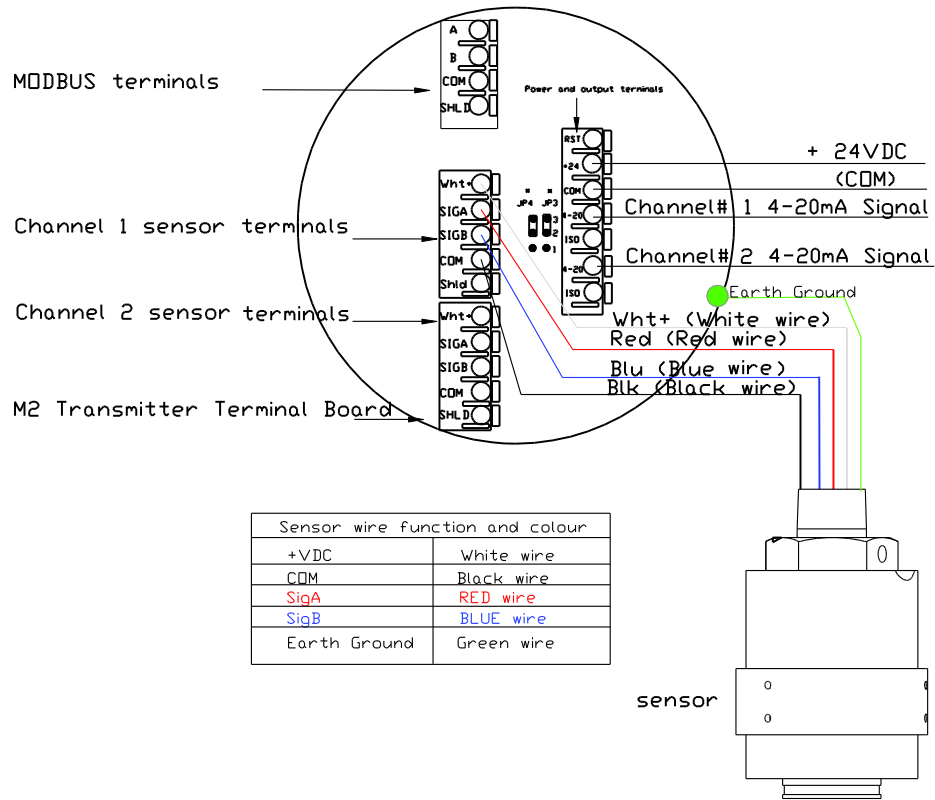


Connect the sensor wires to the Millennium II Transmitter or junction box as per the appropriate transmitter or junction box manual. [Figure 2-6](#) outlines the connections to a M21 Millennium II transmitter. [Table 2-1](#) outlines the wire colors and their purpose.

Table 2-1 Sensor wire colors and terminal definition

Wire color	White	Red	Blue	Black	Green
Marking	+Vdc	Sig A	Sig B	COM	
Function	10.5-32 Vdc Connection	Communication signal A	Communication signal B	Common / supply ground	Earth ground

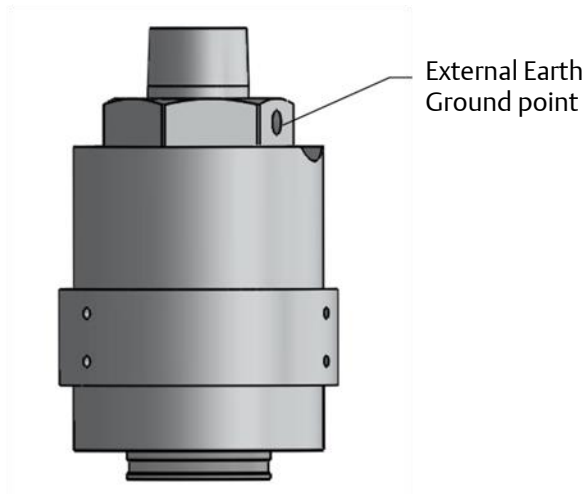
Figure 2-6 Millennium II M21 sensor wiring



2.6.5 External ground

In order to ensure proper operation of the sensor, an external ground is required. The external ground must be connected to the grounding point on the enclosure according to IECEx requirements. Refer to Figure 2-7 for grounding connection location.

Figure 2-7 External grounding point



2.7 Calibration

NOTICE

The Net Safety SC311 sensor should be powered up for at least twenty-four (24 hours) prior to completing the first calibration.

Calibration of the infrared sensor must be completed with the target gas for the application and the gas the SC311 is programmed for. The calibration gas can be either air or nitrogen balanced.

Calibration of the SC311 should be completed every twelve (12) months. In environments where the sensor may be routinely exposed to gas concentrations or airborne contaminants, the sensor should be verified or calibrated on a more frequent basis. The SC311 sensor must be calibrated with calibration gas at temperatures between -15°C and +45°C (+5°F and 113°F) to meet its accuracy specification.

Since external factors can affect the SC311 sensor's ability to properly detect gas, it is highly recommended that quarterly inspections and bump tests be completed to ensure proper operation of the gas detection system.

If accessories are used on the SC311, calibrations must be completed with these accessories in place.

There are specific steps to be followed when calibrating with a Millennium II Transmitter. Refer to the appropriate transmitter manual that the sensor is connected to for calibration procedures. These steps should be followed if accurate results are to be obtained.

2.7.1 Gas curves

Infrared gas sensors need to be set up for the target gas in the particular application. The SC311 has a number of primary gases available as shown in [Table 2-2](#). When connected to a Millennium II transmitter, these gas curves can be selected through the main display and need to be selected prior to performing a calibration. For Millennium II Basic transmitters, DIP switches corresponding to the target gas need to be set. Refer to [3.4](#) for more information.

Table 2-2 Gas curves available

Gas	Gas Curve Number
Methane	0
Propane*	1
n-Butane*	2
Iso-Pentane*	3
n-Pentane*	4
Ethane	5
Iso-Butane*	6
Ethylene	7
Hexane*	8
Propylene*	9

*Indicates gases are not third party performance verified

2.8 Installation checklist

Review the following checklist prior to turning the power on to the sensor after installation has been completed:

- Ensure that the transmitter and sensor are properly and firmly mounted
- Ensure that stopping plugs are securely tightened on any unused conduit entries
- Ensure that the transmitter and sensor are not obstructed such that they are accessible and the target gas is not inhibited from reaching the sensor
- Remove the red protective plastic cap/cover from the sensor mouth
- If calibration cups or splash guards are fitted to the sensor, ensure that they are properly fitted
- Ensure adherence to applicable local guidelines and requirements on wiring and sealing of equipment in hazardous and non-hazardous areas
- Ensure that proper shielding and grounding practices are adhered to and local codes are being followed
- Check system operational voltage and conditions and ensure that they are within the applicable specifications of the sensor
- Verify wiring at all termination and junction points (transmitter, junction box, and power supply)
- If the sensor housing has been opened, ensure that the sensor module is properly seated and making a good connection. Refer to [Section 4.4](#) for more details.
- Perform initial calibration as per [Section 2.7](#).

Section 3: Operation

3.1 Sensor configuration settings

All configuration settings for the SC311 sensor are accessed through the Millennium II series of transmitters. When using the Millennium II Transmitter, configuration settings are accessed by selecting menu options through the main display.

Tip

Refer to the relevant transmitter manual prior to attempting a calibration.

3.2 Sensor power up

When power is applied to the sensor by the transmitter, a warm-up routine will begin and the sensor will be automatically tested to ensure proper functioning. The warm-up time for the SC311 sensor is typically ninety (90) seconds. Refer to the Millennium II transmitter manual (MAN-0076) or the Net Safety Millennium II Basic transmitter manual (MAN-0082) for status indicators during this period.

3.3 Sensor communication

The SC311 sensor uses a proprietary protocol to communicate with the Millennium II series of transmitters. This sensor should never be connected to any device other than the Millennium II series of transmitters. Selected DIP switches and menu options allow communication between the transmitter and sensor. Configuration settings are stored in the memory of the sensor. Incorrect settings will cause the sensor to not communicate properly with the transmitter. If any problems develop, please refer to the troubleshooting section of this manual.

3.4 Millennium II Basic transmitter configuration

When using the SC311 sensor with the Millennium II Basic transmitter, DIP switch on the transmitter should be set up as follows:

Table 3-1 Millennium II Basic transmitter DIP switch 2 positions

Position 1	Position 2	Position 3	Position 4	Gas Curve
OFF	OFF	OFF	OFF	Methane (0)
ON	OFF	OFF	OFF	Propane (1)*
OFF	ON	OFF	OFF	n-Butane (2)*
ON	ON	OFF	OFF	Iso-Pentane (3)*
OFF	OFF	ON	OFF	n-Pentane (4)*
ON	OFF	ON	OFF	Ethane (5)
OFF	ON	ON	OFF	Iso-Butane (6)*
ON	ON	ON	OFF	Ethylene (7)
OFF	OFF	OFF	ON	Hexane (8)*
ON	OFF	OFF	ON	Propylene (9)*

*Indicates gases are not third party performance verified

3.5 Fault conditions

The SC311 sensor will provide a number of fault conditions that the Millennium II transmitter will translate into an analog or fault relay output. These fault conditions are outlined in the following table.

Table 3-2 Fault conditions

Fault condition	Analog output (mA)	Fault relay output
Span calibration failure	2.5	Fault
Zero calibration failure	2.5	Fault
Sensor over-range	2.5	Fault
Low temperature	2.5	Fault
High temperature	2.5	Fault
Low voltage	2.5	Fault
High voltage	2.5	Fault
Replace sensor (during calibration cycle)	Momentary 2.5	Momentary Fault
Memory fault	2.5	Fault
Power supply fault	2.5	Fault

Section 4: Maintenance

4.1 Cross sensitivities

Infrared sensors will react to most compounds containing a Carbon-Hydrogen bond (hydrocarbons) in varying degrees potentially providing a response from the sensors. Other gases present within the particular application need to be considered for their impact on this sensor. For more information, please contact the manufacturer.

4.2 Routine inspections

The Millennium II SC311 sensor should be inspected on a routine basis to ensure that external obstructions such as water, mud, snow, plastic bags, or other materials are not blocking the sintered element of the sensor. If the sintered element is sprayed with water, the sintered element must be allowed to dry to ensure specified performance.

⚠ WARNING

A blocked sinter impairs sensor performance. If a sinter element is blocked, please dislodge the material blocking the sensor to ensure sensor performance as specified.

4.3 Bump testing

As part of the site preventative maintenance program it is recommended that a bump test of the sensor be completed every three (3) months. Bump testing consists of a visual inspection of the sensor, applying a known gas concentration to the sensor verifying the accuracy of the response to the specifications of the sensor, and alarm system simulation. If the response is outside of the specifications of the sensor a calibration should be completed. Refer to 2.7 for more information. After a calibration has been completed, it is recommended that a bump test be completed to verify accuracy and response of the sensor.

4.4 Sensor replacement procedure

Sensors are pre-calibrated at the factory; however, field calibration must be performed as a part of commissioning. When a calibration can no longer be performed or the sensor is not operating properly, the sensor module may need to be replaced. Refer to steps below for replacing the sensor module.

⚠ WARNING

Do not open the transmitter, sensor, or junction box enclosure when in a classified area or when an explosive atmosphere may be present unless the power to the sensor has been removed.

Avoid touching any electronic components, as they may be susceptible to electrostatic discharge (ESD). Refer to 0 for further information and proper handling instructions of electronic components.

1. Remove power from the sensor.
2. Remove the locking ring by loosening the set screws with 1.5 mm Allen Key tool.
3. Remove the bottom part of the sensor enclosure by turning it in a counter clockwise rotation to expose the sensor module.

4. Carefully remove the sensor module from the sensor housing by pulling on the gold sensor until the sensor cell and sensor board have been fully removed from the housing. In some cases, the sensor cell may disconnect from the board. This is normal and the sensor cell can be easily fitted back onto the sensor board.
5. Disconnect the wire assembly from the sensor board to remove the sensor from the housing.
6. Properly dispose of the old sensor module as per local guidelines and regulations.
7. Remove the replacement sensor module from its packaging ensuring not to touch any electronic components as this may cause problems due to an unwanted electrostatic discharge (ESD).
8. Connect the wire assembly from the sensor housing to the sensor board being careful to not touch any electronic components on the board.
9. Align the replacement sensor module banana plugs with the standoffs in the housing and press the replacement sensor into place.
10. Install and hand-tighten the bottom part of the sensor enclosure by turning it in a clockwise direction.
11. Install the locking ring by tightening the set screws with 1.5 mm Allen Key tool.
12. Restore power to sensor via the transmitter.

4.5 Troubleshooting

Sensors and transmitters are not designed to be repaired in the field. If problems should develop, first check for faulty wiring, confirm proper voltage to sensor, and attempt a calibration. If problems persist, please contact the Flame and Gas Detection customer care team first by phone to try and resolve any issues. If issues cannot be resolved, please follow the procedure in Section [Error! Reference source not found.](#)

4.6 Storage

The sensor and its electronic components/parts should be stored in locations free from dust, liquid spills, contaminants, and moisture. The storage temperature should be well within the limits of the certified temperatures of the equipment. See [0](#) for certified temperatures.

4.7 Spare parts and accessories

Description	Part Number
Calibration cup	CCS-1
Calibration kit	CAL-KIT-1
Calibration gas	CAL-CYL-AIR (103 L Air) CAL-CYL-BUT (103 L Butane) CAL-CYL-ETH-A-50 (103 L Ethylene) CAL-CYL-HYD (103 L Hydrogen) CAL-CYL-METH (103 L Methane) CAL-CYL-PEN (103 L Pentane) CAL-CYL-PRO (103 L Propane)
Ingress protection filter	IPF-001
Separation kit	JB-MPD-A - aluminum JB-MPD-S - stainless steel
Replacement sensor module	SC311-100

NOTICE

The SC311 sensor is not certified for performance when the calibration cup, ingress protection filter, or dust guard is attached.

Section 5: Electrostatic sensitive device

Definition: Electrostatic discharge (ESD) is the transfer, between bodies, of an electrostatic charge caused by direct contact or induced by an electrostatic field.

The most common cause of ESD is physical contact. Touching an object can cause a discharge of electrostatic energy (ESD). If the charge is sufficient and occurs near electronic components, it can damage or destroy those components. In some cases, damage is instantaneous and an immediate malfunction occurs. However, symptoms are not always immediate—performance may be marginal or seemingly normal for an indefinite period of time, followed by a sudden failure.

To eliminate potential ESD damage, review the following guidelines:

- Handle boards by metal shields—taking care not to touch electronic components.
- Wear grounded wrist or foot straps, ESD shoes or heel grounders to dissipate unwanted static energy.
- Prior to handling boards, dispel any charge in your body or equipment.
- Ensure all components are transported and stored in static safe packaging
- When returning boards, carefully package in the original carton and static protective wrapping
- Ensure ALL personnel are educated and trained in ESD Control Procedures

In general, exercise accepted and proven precautions normally observed when handling electrostatic sensitive devices. A warning label is placed on the packaging, identifying product using electrostatic sensitive semiconductor devices.



Section 6: Wire resistance table

Distance Feet (meters)	20 AWG 0.5 mm ² (ohms)	18 AWG 0.8 mm ² (ohms)	16 AWG 1.0 mm ² (ohms)	14 AWG 2.0 mm ² (ohms)
100 (30.5)	1.02	0.64	0.40	0.25
200 (61)	2.03	1.28	0.80	0.51
300 (91.4)	3.05	1.92	1.20	0.76
400 (121.9)	4.06	2.55	1.61	1.01
500 (152.4)	5.08	3.20	2.01	1.26
600 (182.9)	6.09	3.83	2.41	1.52
700 (213.4)	7.11	4.47	2.81	1.77
800 (243.8)	8.12	5.11	3.21	2.02
900 (274.3)	9.14	5.75	3.61	2.27
1000 (304.8)	10.20	6.39	4.02	2.53
1250 (381)	12.70	7.99	5.03	3.16
1500 (457.2)	15.20	9.58	6.02	3.79
1750 (533.4)	17.80	11.20	7.03	4.42
2000 (609.6)	20.30	12.80	8.03	5.05
2250 (685.8)	22.80	14.40	9.03	5.68
2500 (762)	25.40	16.00	10.00	6.31
3000 (914.4)	30.50	19.20	12.00	7.58
3500 (1066.8)	35.50	22.40	14.10	8.84
4000 (1219.2)	40.60	25.50	16.10	10.00
4500 (1371.6)	45.70	28.70	18.10	11.40
5000 (1524)	50.10	32.00	20.10	12.60
5500 (1676.4)	55.80	35.10	22.10	13.91
6000 (1828.8)	61.00	38.30	24.10	15.20
6500 (1981.2)	66.00	41.50	26.10	16.40
7000 (2133.6)	71.10	44.70	28.10	17.70
7500 (2286)	76.10	47.90	30.10	19.00
8000 (2438.4)	81.20	51.10	33.10	20.20
9000 (2743.2)	91.40	57.50	36.10	22.70
10000 (3048)	102.00	63.90	40.20	25.30

Resistance shown is one way. This figure must be doubled when determining closed loop resistance.

Section 7: Specifications

7.1 Electrical

7.1.1 Voltage range

10.5 to 32 Vdc

7.2 Performance

7.2.1 Response time

- $T_{50} \leq 4.3$ seconds
- $T_{60} \leq 7.0$ seconds
- $T_{90} \leq 11.0$ seconds

* Methane at room temperature

7.2.2 Accuracy

- $\pm 5\%$ LEL or 10 % of applied, whichever is greater

* Methane at room temperature

7.2.3 Zero Drift

< 5 % full scale per year

7.2.4 Repeatability

$\pm 2\%$ LEL full scale

7.2.5 Detection Range

0-100 % LEL

7.2.6 Calibration Frequency

Twelve (12) months

7.2.7 Storage temperature

-40°C to +70°C (-40°F to +158°F)

7.2.8 Operating temperature

-40°C to +75°C (-40°F to +167°F)

7.2.9 Relative humidity

0-95 % relative humidity, non-condensing

7.2.10 Enclosure material (housing)

316 stainless steel and 6061 aluminum

7.2.11 Ingress protection

IP64

7.2.12 Weight

Stainless steel: 3.5 lbs, 1.4 kg
Aluminum: 1 lb, 0.4 kg

7.3 Separation

Up to 2000 feet (610 meters) with 18 AWG (1.02 mm²) wire.

7.4 Warranty

Five (5) years

Section 8: Certifications

8.1 North America

8.1.1 Hazardous locations



Class I, Division 1, Groups BCD T5
Class I, Zone 1, AEx/Ex d IIB +H₂ T5
-40 °C ≤ Ta ≤ +75 °C

8.1.2 Performance

CSA C22.2 No. 152:2006
FM Class 6310, 6320:2001
ANSI/ISA 12.13.01:2000

8.2 IECEX

Ex d IIB+H₂ T5 Gb
IECEX FMG 12.0007X

Special conditions for safe use:

- Consult the manufacturer if dimensional information on the flameproof joints is necessary.
- The flying leads of the Millennium II sensor shall be suitably protected against mechanical damage and terminated within a terminal or junction facility suitable for the conditions of use.

8.3 FC Models

SC311 infrared sensors, models SC311x-100-ASSY-FC, when used with wireless capable Millennium II transmitters, carry the following certifications. All certifications outlined above do not pertain to these models.

8.3.1 North America (-FC models)

Class I, Division 1, Groups BCD T5
Class I, Zone 1, AEx/Ex d IIB+ H₂ T5
-40 °C ≤ Ta ≤ +75 °C
CSA C22.2 No. 152, FM6320

8.3.2 IECEx (-FC models)

Ex d IIB+H₂ T5 Gb
-40 °C ≤ Ta ≤ +75 °C
IECEx FMG 12.0007X

Special conditions for safe use:

- Consult the manufacturer if dimensional information on the flameproof joints is necessary.
- The flying leads of the Millennium II sensor shall be suitably protected against mechanical damage and terminated within a terminal or junction facility suitable for the conditions of use.

Section 9: Ordering information

Model	Description	
SC311	Millennium II Infrared Combustible Gas Sensor	
Housing	Description	
-A	Aluminum	
-S	Stainless Steel	
Range	Description	
-100-ASSY	100% LEL	
Wireless	Description	
-FC	When used with wireless capable Millennium II transmitters	

Notes

Notes

Notes

EmersonProcess.com/FlameGasDetection



AnalyticExpert.com



twitter.com/Rosemount_News



youtube.com/user/RosemountMeasurement



facebook.com/Rosemount

Americas

Emerson Process Management

6021 Innovation Blvd.
Shakopee, MN 55379
USA

T +952 906 8888
F +952 949 7001

SAFETY.CSC@Emerson.com

Europe

Emerson Process Management AG

Neuhofstrasse 19a P.O. Box 1046
CH-6340 Baar
Switzerland

T + 41 (0) 41 768 6111
F +41 (0) 41 768 6300

SAFETY.CSC@Emerson.com

Middle East and Africa

Emerson Process Management

Emerson FZE
Jebel Ali Free Zone
Dubai, UAE

P.O. Box 17033
T +971 4 811 8100
F + 971 4 886 5465

SAFETY.CSC@Emerson.com

Asia Pacific

Emerson Process Management

Asia Pacific Private Limited
1 Pandan Crescent
Singapore 128461

Republic of Singapore
T + 65 6 777 8211
F + 65 6 777 0947

SAFETY.CSC@Emerson.com

©2016 Emerson Process Management. All rights reserved.

The Emerson logo is a trademark and service mark of Emerson Electric Co. Rosemount is a mark of one of the Emerson Process Management family of companies. All other marks are property of their respective owners.

The contents of this publication are presented for information purposes only, and, while effort has been made to ensure their accuracy, they are not to be construed as warranties or guarantees, express or implied, regarding the products or services described herein or their use or applicability. All sales are governed by our terms and conditions, which are available on request. We reserve the right to modify or improve the designs or specifications of our products at any time without notice.

NET SAFETY™



EMERSON™