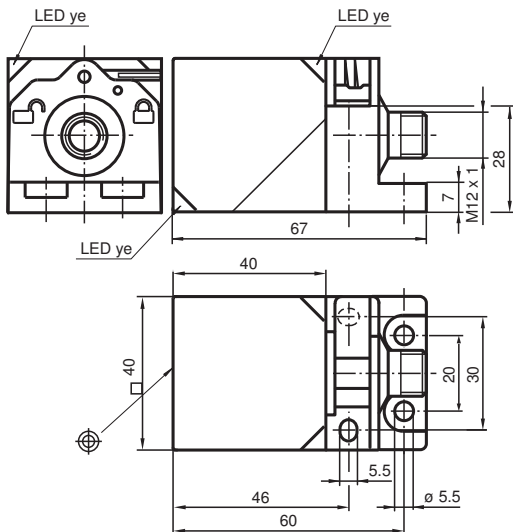


Inductive sensor NCN40-L2-N0-V1

- Sensor head bidirectional and rotatable
- 40 mm non-flush
- Quick mounting bracket
- Usable up to SIL 2 acc. to IEC 61508



Dimensions



Technical Data

General specifications

| | | |
|----------------------------|-------|----------------------|
| Switching function | | Normally closed (NC) |
| Output type | | NAMUR |
| Rated operating distance | s_n | 40 mm |
| Installation | | non-flush |
| Assured operating distance | s_a | 0 ... 32.4 mm |
| Actual operating distance | s_r | 36 ... 44 mm |
| Reduction factor r_{AI} | | 0.31 |
| Reduction factor r_{Cu} | | 0.3 |
| Reduction factor r_{304} | | 0.74 |

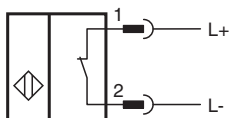
Nominal ratings

| | | |
|---------------------|-------|--------------------------------------|
| Nominal voltage | U_o | 8.2 V (R_i approx. 1 k Ω) |
| Switching frequency | f | 0 ... 150 Hz |

Technical Data

| | | |
|--|------------------|--|
| Hysteresis | H | typ. 5 % |
| Reverse polarity protection | | reverse polarity protected |
| Short-circuit protection | | yes |
| Current consumption | | |
| Measuring plate not detected | | ≥ 2.2 mA |
| Measuring plate detected | | ≤ 1 mA |
| Switching state indicator | | LED, yellow |
| Functional safety related parameters | | |
| MTTF _d | | 1670 a |
| Mission Time (T _M) | | 20 a |
| Diagnostic Coverage (DC) | | 0 % |
| Compliance with standards and directives | | |
| Standard conformity | | |
| Standards | | EN 60947-5-2:2007 EN 60947-5-2/A1:2012 IEC 60947-5-2:2007 IEC 60947-5-2 AMD 1:2012 |
| Approvals and certificates | | |
| EAC conformity | | TR CU 012/2011 |
| Protection class | | II |
| Rated insulation voltage | U _i | 253 V |
| Rated impulse withstand voltage | U _{imp} | 4000 V |
| UL approval | | |
| Ordinary Location | | E87056 |
| Hazardous Location | | E501628 |
| Control drawing | | 116-0451 |
| CCC approval | | CCC approval / marking not required for products rated ≤36 V |
| Ambient conditions | | |
| Ambient temperature | | -25 ... 100 °C (-13 ... 212 °F) |
| Storage temperature | | -40 ... 100 °C (-40 ... 212 °F) |
| Mechanical specifications | | |
| Connection type | | Connector plug M12 x 1 , 4-pin |
| Housing material | | PA |
| Sensing face | | PA |
| Degree of protection | | IP69K |
| Mass | | 130 g |
| Equipment protection level Dc (tc) | | |
| Special conditions | | |
| Maximum permissible ambient temperature T _{Umax} | | Values can be obtained from the following list, depending on the max. operating voltage U _{Bmax} and the minimum series resistance R _v . |
| General information | | |
| Use in the hazardous area | | see instruction manuals |

Connection






Connection Assignment



Wire colors in accordance with EN 60947-5-6

- | | | |
|---|----|---------|
| 1 | BN | (brown) |
| 2 | BU | (blue) |

Accessories

| | | |
|--|----------------------|--|
|  | V1-G-N-2M-PUR | Female cordset, M12, 2-pin, NAMUR, PUR cable |
|  | V1-W-N-2M-PUR | Female cordset, M12, 2-pin, NAMUR, PUR cable |
|  | MHW 01 | Modular mounting bracket |

Release date: 2020-05-04 Date of issue: 2020-05-05 Filename: 182706_eng.pdf

Refer to "General Notes Relating to Pepperl+Fuchs Product Information".