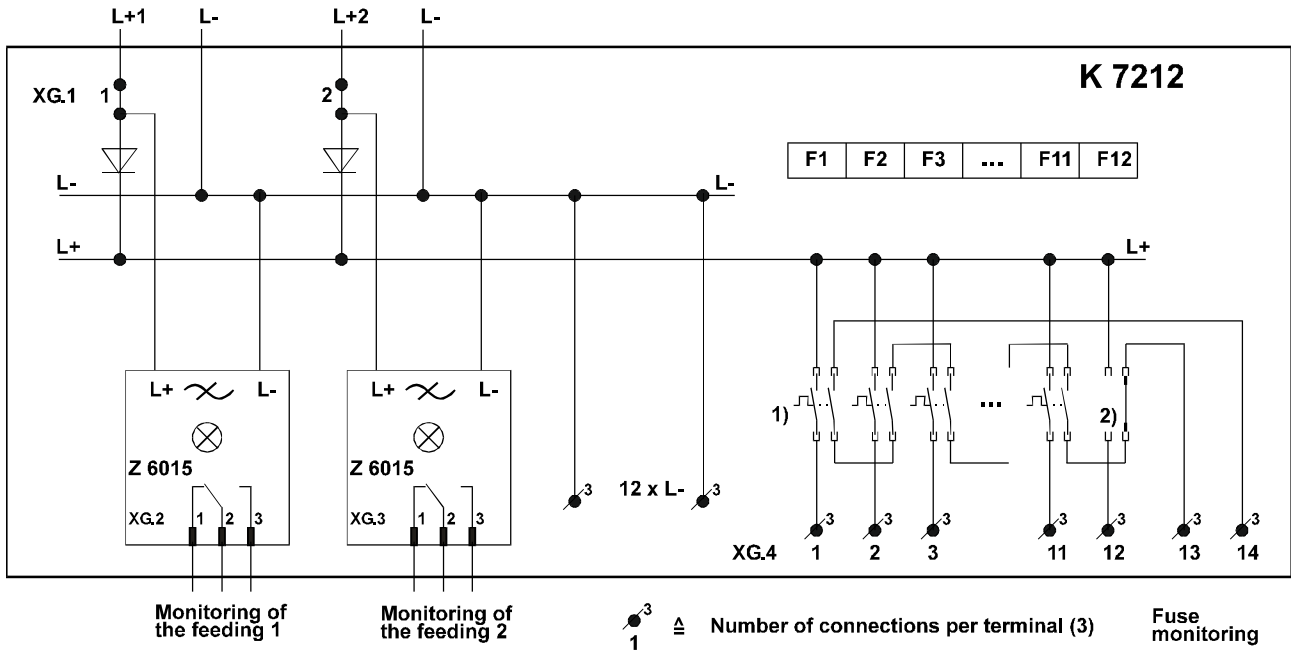




K 7212

Feeding and current distribution

redundant feeding up to 35 A total current
 with 2 decoupling diodes and 2 network filters Z 6015
 with fusing of up to 12 single circuits with circuit breakers
 (manufacturer E-T-A®)



Connection diagram

- 1) Circuit breaker with monitoring contact
- 2) Jumper for monitoring

Construction: On the front, heat sink for the 2 decoupling diodes, behind, a mounting plate for up to 12 circuit breakers. On the rear, 2 network filters Z 6015 and the connection terminals are mounted. The monitoring of circuit breakers slots not equipped are overridden via jumpers.

Each network filter is equipped with a monitoring relay with LED for the feeding. Voltage drops are announced via neutral contacts.

Hint for installation: Install K 7212 as near as possible to the cable inlet into the cabinet because of the network filter. With feeding lines > 0.5 m within the cabinet, a screened feeding line 2 x 6 mm² (HIMA part no. 90 4100001) has to be used.

External fusing	35 A max.
Power dissipation	35 W max.
Size	19-inch, 2 units high acc. to DIN 41494 / IEC 297
Mounting depth	270 mm
Weight	3.25 kg

Diode data (Type SKKE81/04, manufacturer Semikron):

Reverse voltage	400 V
Conducting state current	0.85 V typ.
Isulation voltage (diode heat sink)	5 kV

Preferred type of circuit breaker (not delivered with K 7212):

Release current	Manufacurer	Type	HIMA part no.
4 A	E-T-A [®]	22IO-S2II-NIT2-HIII 4 A	57 0350040
16 A	E-T-A [®]	22IO-S2II-NIT2-HIII 16 A	57 0350160

For further details refer to the original data sheet E-T-A[®]

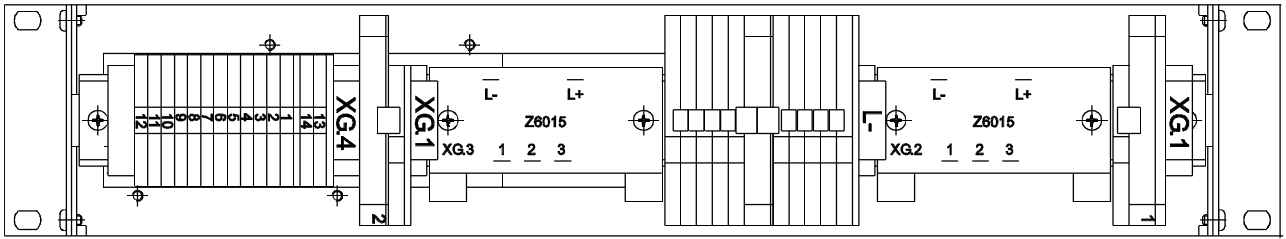
Connections and wiring:

Connection	Max. Cross section of wires
XG.1:1, XG.1.2	16 mm ²
Feeding L-	16 mm ²
Distribution L-	4 mm ²
XG.4: 1 - 14	2.5 mm ²
XG.2 / XG.3	Flackstecker 6.3 x 0.8 auf Z 6015

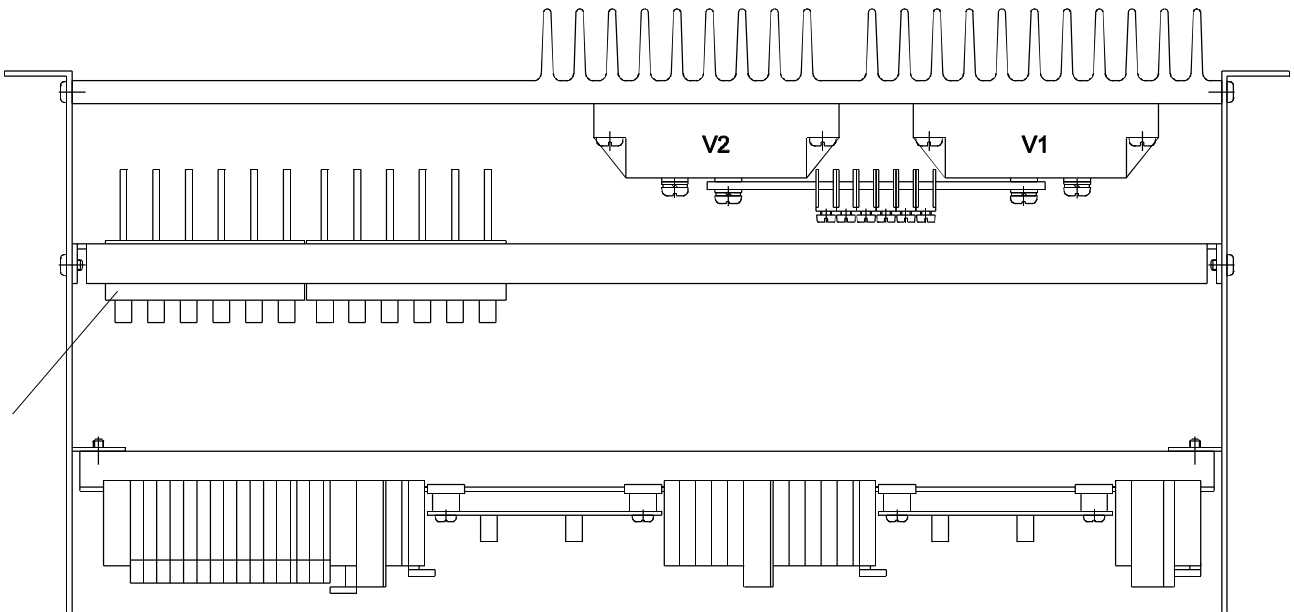
Accessories supplied by HIMA:

Labeling field with cable duct support

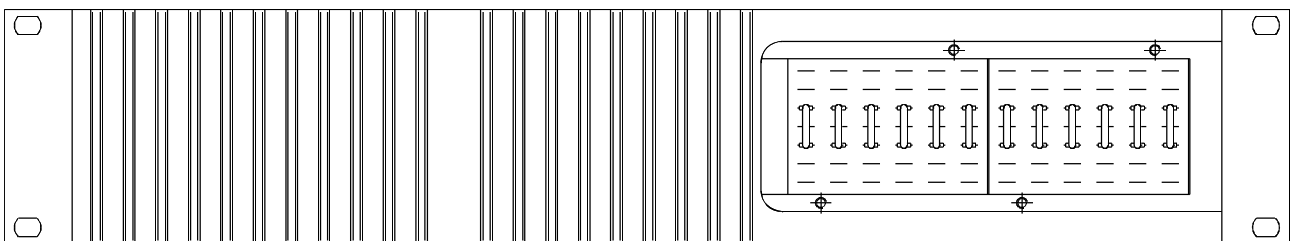
Views:



Rear view



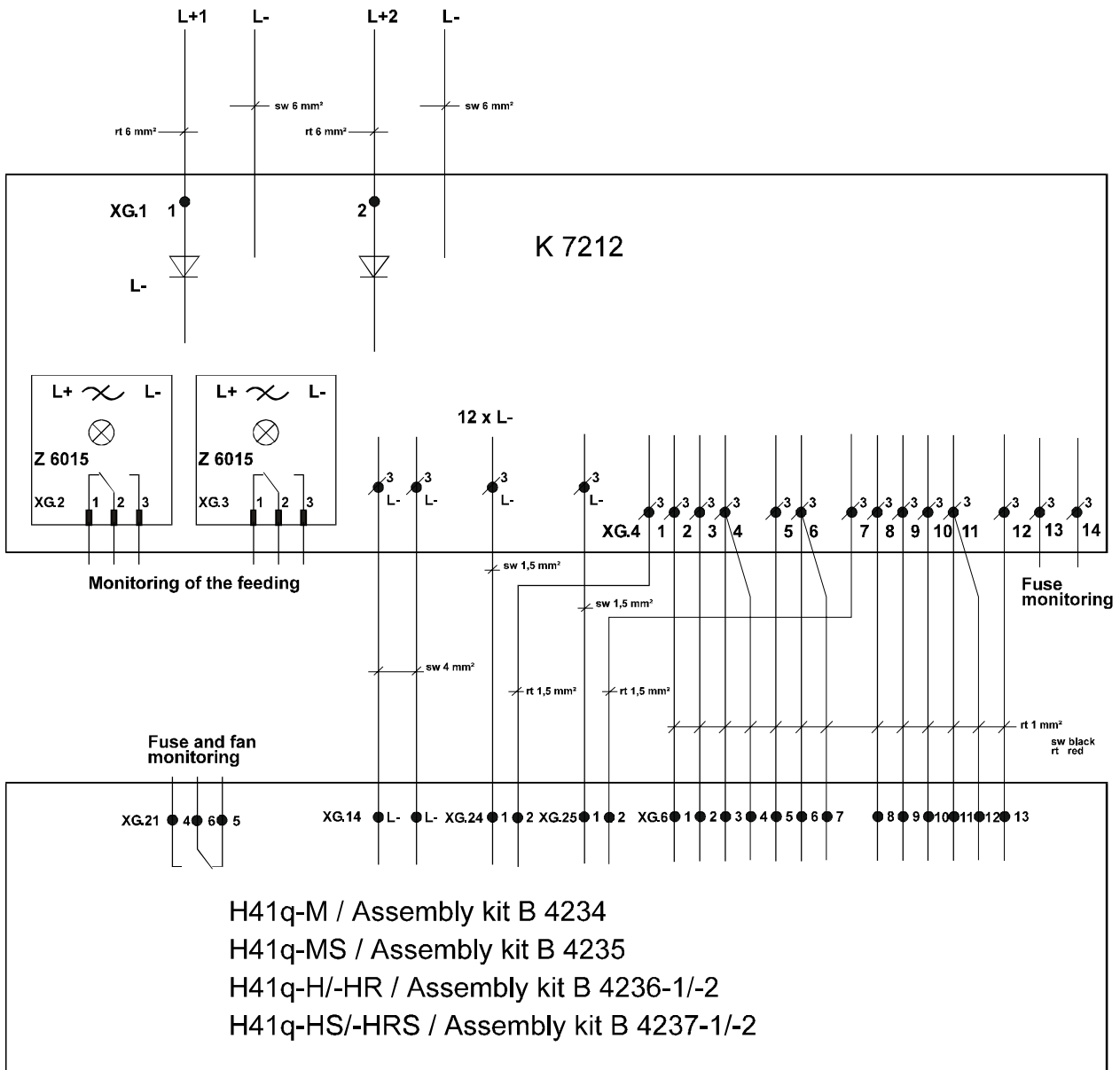
Top view



Front view

Standard application

Redundant feeding K 7212 with 24 V DC up to 35 A secondary.



The circuit breakers 1 and 7 of K 7212 with release current of 16 A are the redundant fusing of the H41q system.

All the other circuit breakers with release current of 4 A are the fusing of the modules in the H41q system. The modules will be group and according of the power demand protected by fuses.

The fusing of the modules with circuit breakers from the feeding and current distribution K 7212 is only an example.