



ATEX Hazardous Area Approvals Fisher™ FIELDVUE™ DVC6200 Series Digital Valve Controllers

Hazardous Area Approvals and Special Instructions for “Safe Use” and Installations in Hazardous Locations

Certain nameplates may carry more than one approval, and each approval may have unique installation/wiring requirements and/or conditions of “safe use”. These special instructions for “safe use” are in addition to, and may override, the standard installation procedures. Special instructions are listed by approval type.

Note

This information supplements the nameplate markings affixed to the product and the DVC6200 Series quick start guide ([D103556X012](#)), available from your Emerson sales office or Local Business Partner, or at [Fisher.com](#).

Always refer to the nameplate itself to identify the appropriate certification.

Approval information is for both aluminum and stainless steel constructions.

⚠ WARNING

Failure to follow these conditions of “safe use” could result in personal injury or property damage from fire or explosion and area re-classification.

⚠ WARNING

To avoid static discharge from the plastic cover when flammable gases or dust are present, do not rub or clean the cover with solvents. To do so could result in a spark that may cause the flammable gases or dust to explode, resulting in personal injury or property damage. Clean with a mild detergent and water only.

Flameproof  II 2 G

⚠ WARNING

Do not open while energized.

Potential electrostatic charging hazard. See warning on page 1.

Covered by Standards:

EN 60079-0:2012 + A11:2013

EN 60079-1:2007

DVC6200 and DVC6205 Series (HART HW1 & HW2, SIS, FOUNDATION Fieldbus, PROFIBUS)

Ex d IIC T5 ($T_a \leq 85^\circ\text{C}$) / T6 ($T_a \leq 80^\circ\text{C}$) Gb

Operating ambient temperature

Standard construction -40°C to $+85^\circ\text{C}$,

Extreme temperature construction -52°C to $+85^\circ\text{C}$

DVC6215

Ex d IIC T4 ($T_a \leq 125^\circ\text{C}$) / T5 ($T_a \leq 95^\circ\text{C}$) / T6 ($T_a \leq 80^\circ\text{C}$) Gb

Operating ambient temperature

-52°C to $+125^\circ\text{C}$

Type n  II 3 G

⚠ WARNING

Do not open while energized.

Potential electrostatic charging hazard. See warning on page 1.

Covered by Standards:

EN 60079-0:2012 + A11:2013

EN 60079-15:2010

DVC6200 and DVC6205 Series (HART HW1 & HW2, SIS, FOUNDATION Fieldbus, PROFIBUS)

Ex nC IIC T5 ($T_a \leq 80^\circ\text{C}$) / T6 ($T_a \leq 75^\circ\text{C}$) Gc

Operating ambient temperature

Standard construction -40°C to $+80^\circ\text{C}$,

Extreme temperature construction -52°C to $+80^\circ\text{C}$

DVC6215

Ex nA IIC T4 ($T_a \leq 125^\circ\text{C}$) / T5 ($T_a \leq 95^\circ\text{C}$) / T6 ($T_a \leq 80^\circ\text{C}$) Gc

Operating ambient temperature

-52°C to $+125^\circ\text{C}$

Intrinsically Safe

⚠ WARNING

Potential electrostatic charging hazard. See warning on page 1.

Covered by Standards:

EN 60079-0:2012 + A11:2013
EN 60079-11:2012

DVC6200 and DVC6205 Series (HART HW1 & HW2, SIS, FOUNDATION Fieldbus, PROFIBUS)

⚠ II 1 GD

Ex ia IIC or IIB T4/T5/T6 Ga (see figure 1 to 5)
Ex ia IIC Txxx°C Da (see figure 1 to 5)

Operating ambient temperature
Standard construction -40°C to +80°C,
Extreme temperature construction -52°C to +80°C

DVC6215

⚠ II 1 G

Ex ia IIC T4/T5/T6 Ga (see figure 2 and 4)

Operating ambient temperature
-52°C ≤ Ta ≤ +125°C

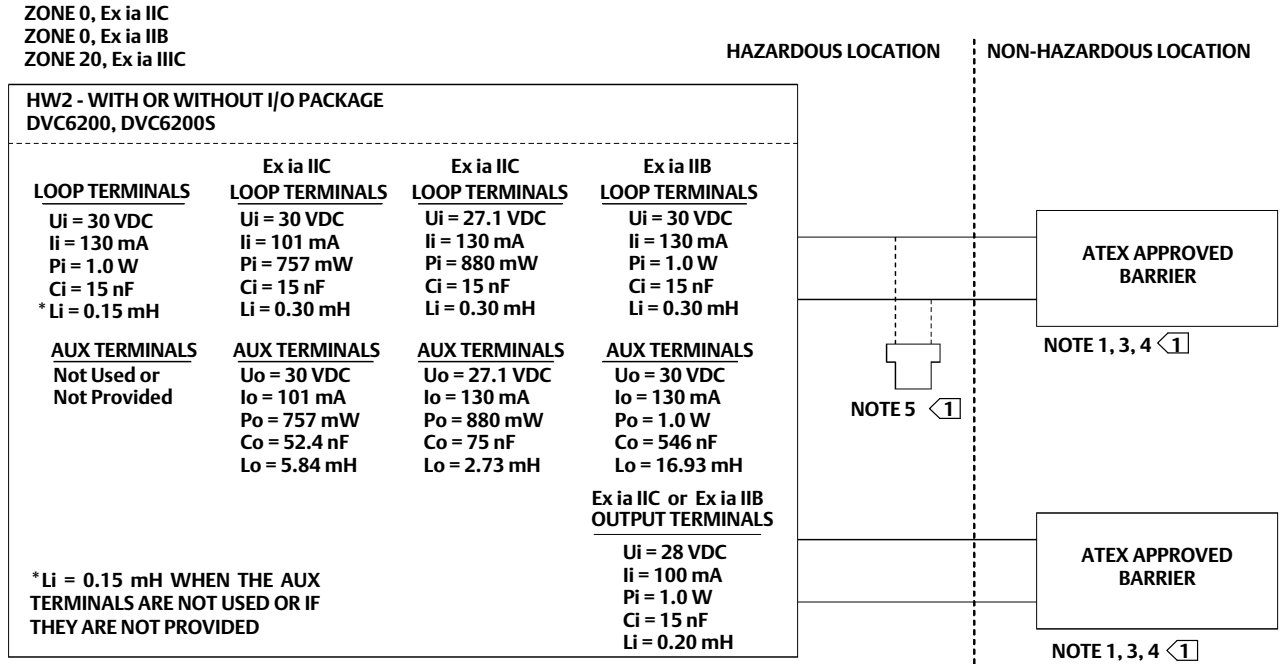
Intrinsically safe when connected per control drawing GE60771, as shown in the following figures

DVC6200 HW2, DVC6200 SIS figure 1 and 6
DVC6205, DVC6205 SIS, and DVC6215 Remote Mount figure 2 and 6
DVC6200f and DVC6200p figure 3 and 6
DVC6205f, DVC6205p, and DVC6215 Remote Mount figure 4 and 6
DVC6200 HW1 figure 5 and 6

Special Conditions for Safe Use; Intrinsically Safe Applications

- This apparatus can only be connected to an intrinsically safe certified equipment and this combination must be compatible as regards the intrinsically safe rules.
- For the model with aluminum body: the apparatus must not be submitted to frictions or mechanical impacts.

Figure 1. ATEX Loop Schematics—FIELDVUE DVC6200 HW2 and DVC6200 SIS



	ZONE 0, Ex ia IIC or Ex ia IIB				ZONE 20, Ex ia IIIC			
	WITHOUT I/O PACKAGE		WITH I/O PACKAGE		WITHOUT I/O PACKAGE		WITH I/O PACKAGE	
TYPE	T CODE	T AMB	T CODE	T AMB	MAX SURFACE TEMP	T AMB	MAX SURFACE TEMP	T AMB
DVC6200 DVC6200S	T5	≤ 80°C	T5	≤ 80°C	T91°C	≤ 80°C	T104°C	≤ 80°C
	T6	≤ 74°C	T6	≤ 61°C	T85°C	≤ 74°C	T85°C	≤ 61°C

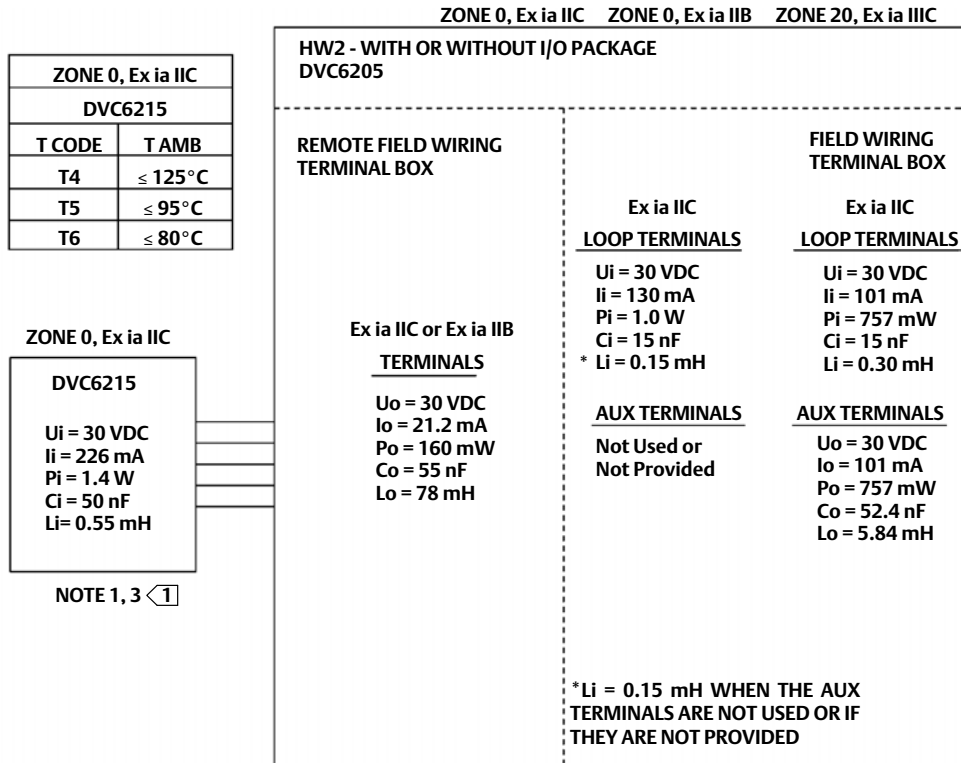
POWER MAY BE APPLIED TO EITHER THE LOOP TERMINALS OR OUTPUT TERMINALS OR TO BOTH SETS OF TERMINALS AT THE SAME TIME

UNITS WITHOUT I/O PACKAGE WILL NOT HAVE "OUTPUT TERMINALS" OR "AUX TERMINALS" AVAILABLE FOR CONNECTION

GE60771 Sheet 11, Rev. D

① SEE NOTES IN FIGURE 6

Figure 2. ATEX Loop Schematics—FIELDVUE DVC6205, DVC6205 SIS, and DVC6215



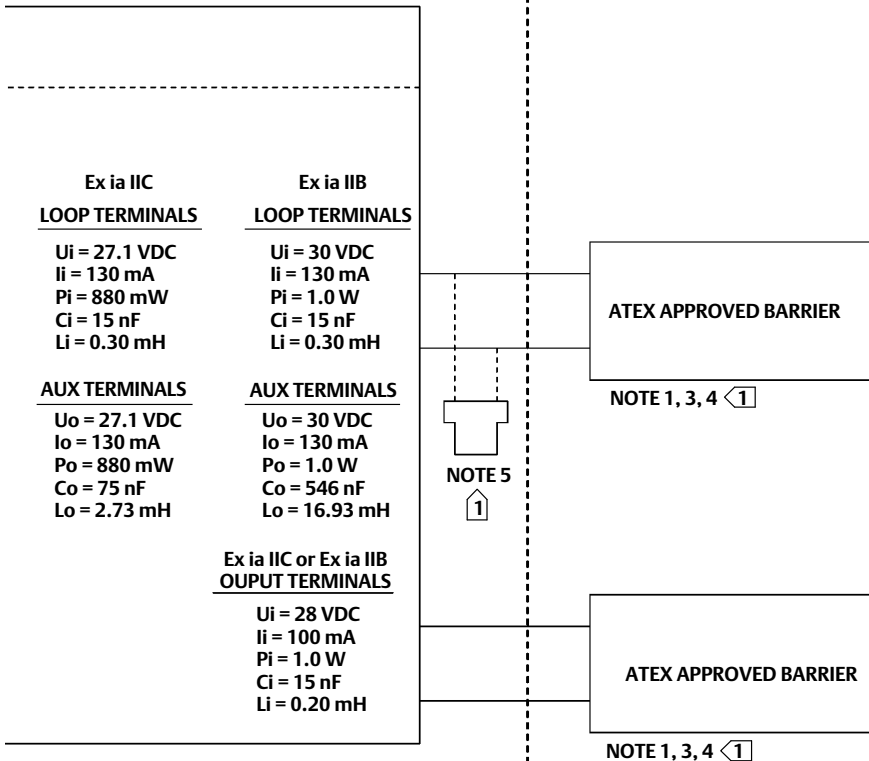
TYPE	ZONE 0, Ex ia IIC or Ex ia IIB				ZONE 20, Ex ia IIIC			
	WITHOUT I/O PACKAGE		WITH I/O PACKAGE		WITHOUT I/O PACKAGE		WITH I/O PACKAGE	
	T CODE	T AMB	T CODE	T AMB	MAX SURFACE TEMP	T AMB	MAX SURFACE TEMP	T AMB
DVC6205	T5	≤ 80°C	T5	≤ 80°C	T91°C	≤ 80°C	T104°C	≤ 80°C
	T6	≤ 74°C	T6	≤ 61°C	T85°C	≤ 74°C	T85°C	≤ 61°C

CE60771 Sheet 12 Rev. D

1 SEE NOTES IN FIGURE 6

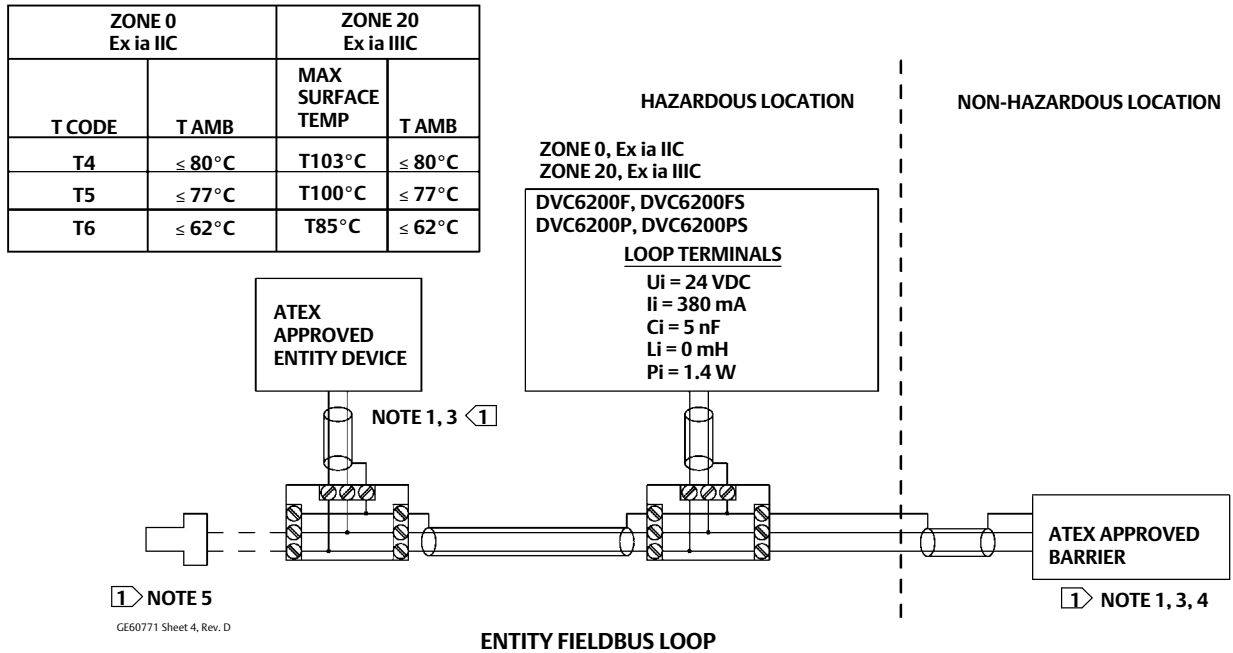
HAZARDOUS LOCATION

NON-HAZARDOUS LOCATION



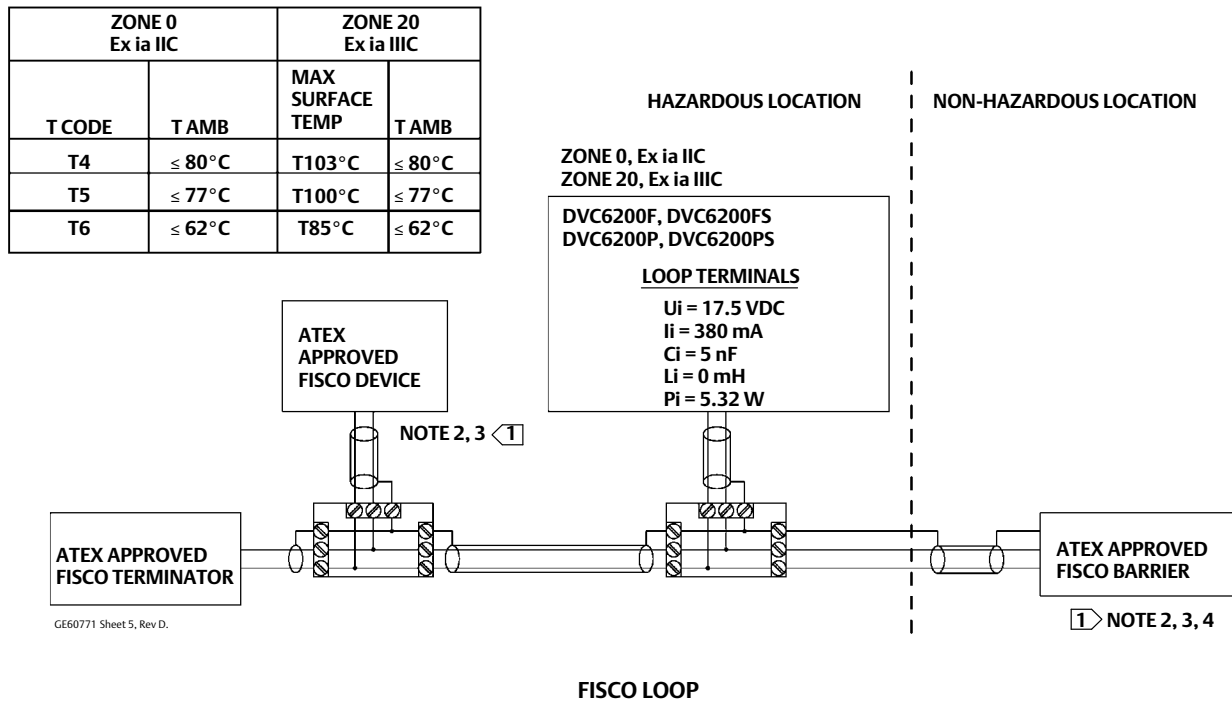
POWER MAY BE APPLIED TO EITHER THE LOOP TERMINALS OR OUTPUT TERMINALS OR TO BOTH SETS OF TERMINALS AT THE SAME TIME
 UNITS WITHOUT I/O PACKAGE WILL NOT HAVE "OUTPUT TERMINALS" OR "AUX TERMINALS" AVAILABLE FOR CONNECTION

Figure 3. ATEX Loop Schematics—FIELDVUE DVC6200f and DVC6200p



NOTE 5
GE60771 Sheet 4, Rev. D

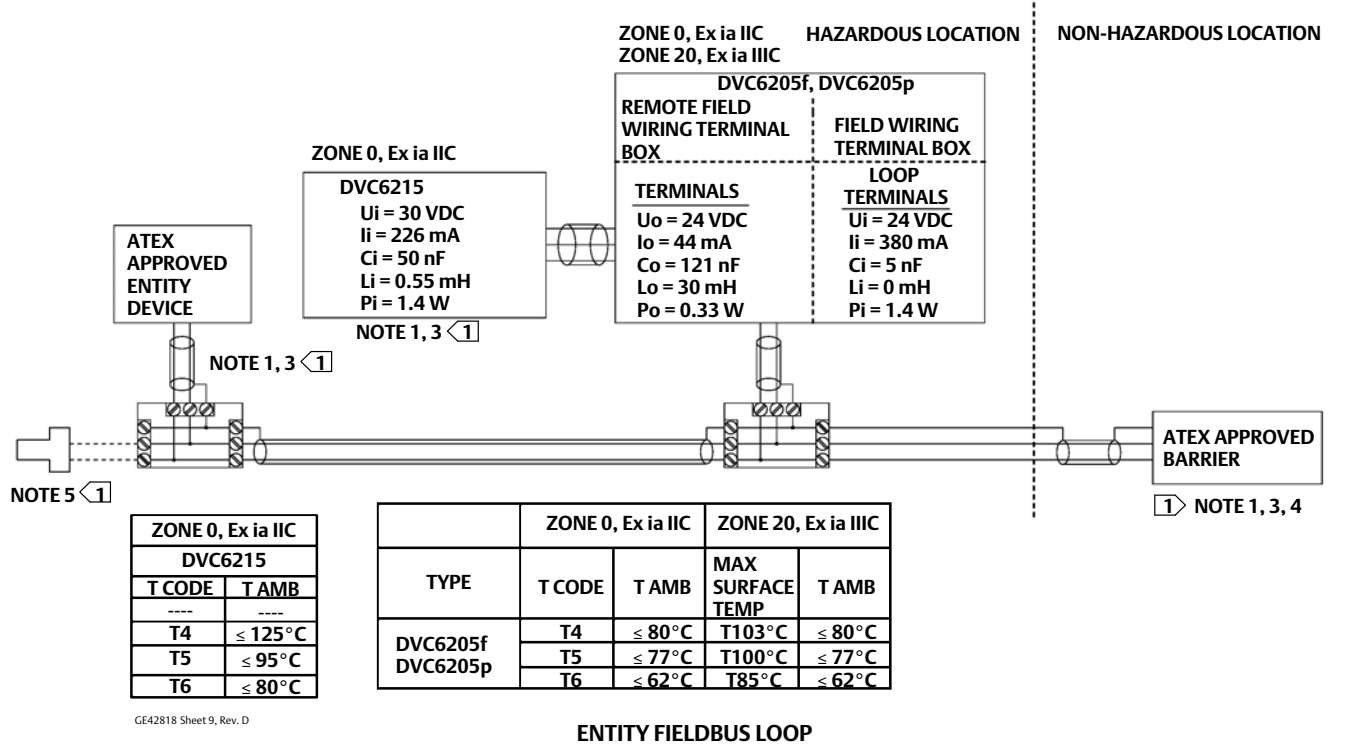
SEE NOTES IN FIGURE 6



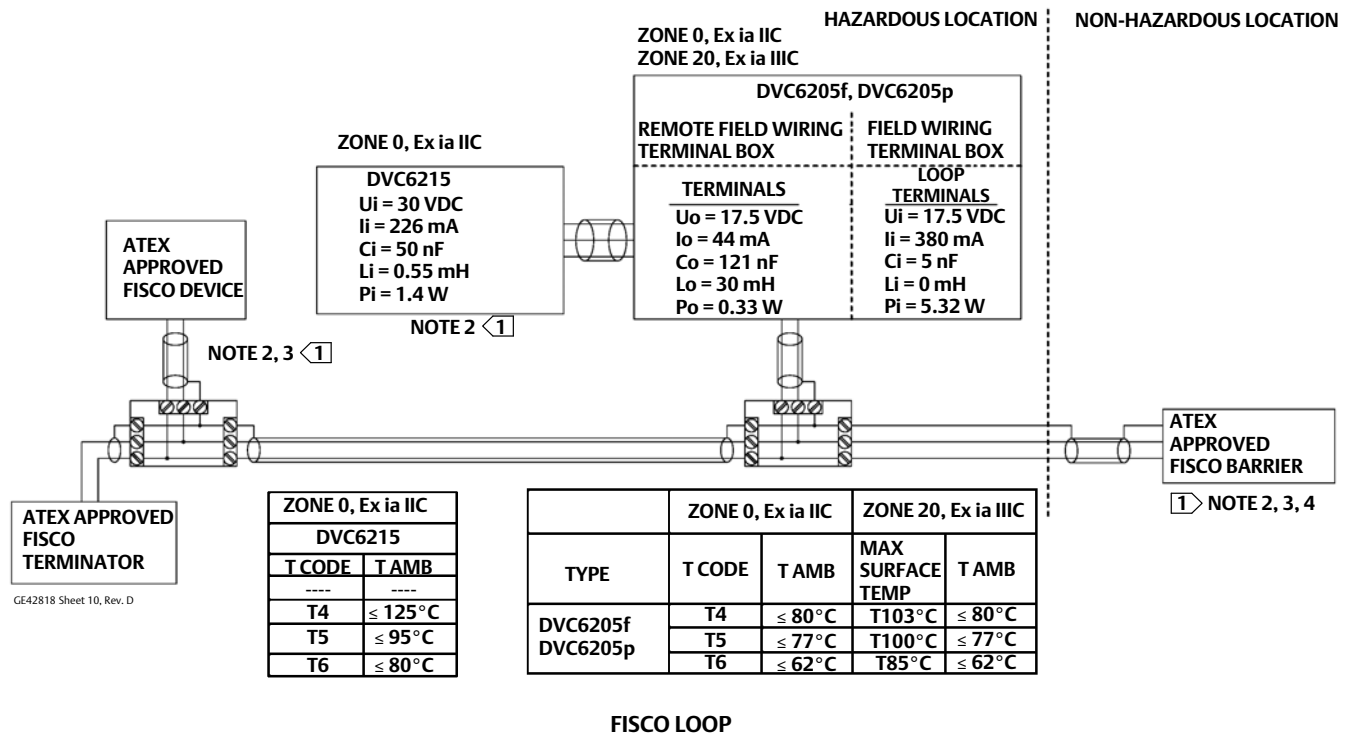
GE60771 Sheet 5, Rev. D.

SEE NOTES IN FIGURE 6

Figure 4. ATEX Loop Schematics—FIELDVUE DVC6205f, DVC6205p, and DVC6215

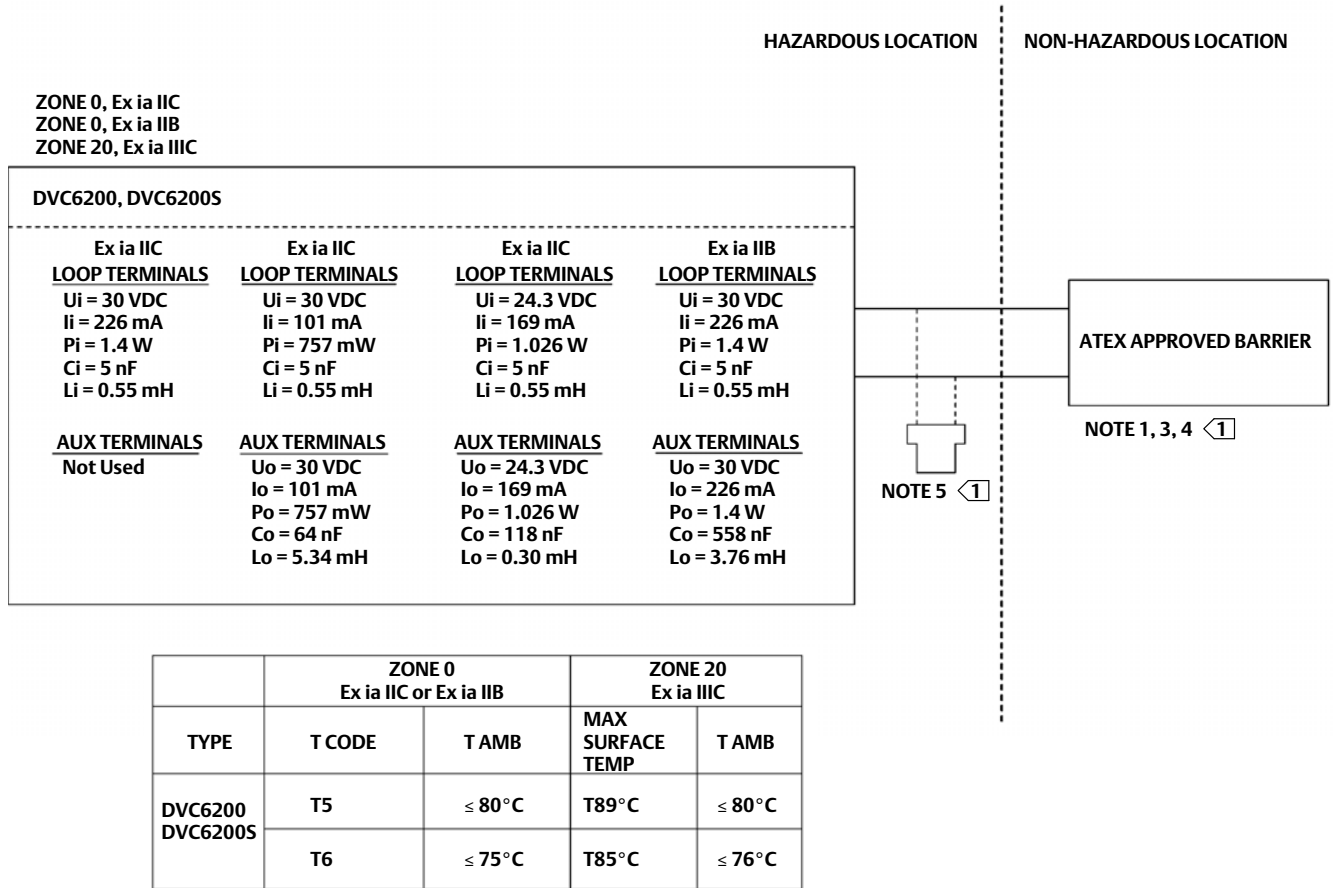


SEE NOTES IN FIGURE 6



SEE NOTES IN FIGURE 6

Figure 5. ATEX Loop Schematic—FIELDVUE DVC6200 HW1



GE60771 Sheet 3, Rev. D

[1] SEE NOTES IN FIGURE 6

Figure 6. Notes for ATEX Loop Schematics

1 THE ENTITY CONCEPT ALLOWS INTERCONNECTION OF INTRINSICALLY SAFE APPARATUS TO ASSOCIATED APPARATUS NOT SPECIFICALLY EXAMINED IN SUCH COMBINATION. THE CRITERIA FOR INTERCONNECTION IS THAT THE VOLTAGE (V_{max} or U_i), THE CURRENT (I_{max} or I_i), AND THE POWER (P_{max} or P_i) OF THE INTRINSICALLY SAFE APPARATUS MUST BE EQUAL TO OR GREATER THAN THE VOLTAGE (V_{oc} or U_o), AND THE CURRENT (I_{sc} or I_o), AND THE POWER (P_o) DEFINED BY THE ASSOCIATED APPARATUS. IN ADDITION, THE SUM OF THE MAX UNPROTECTED CAPACITANCE (C_i) AND MAX UNPROTECTED INDUCTANCE (L_i), INCLUDING THE INTERCONNECTING CABLING CAPACITANCE (C_{cable}) AND CABLING INDUCTANCE (L_{cable}) MUST BE LESS THAN THE ALLOWABLE CAPACITANCE (C_a) AND INDUCTANCE (L_a) DEFINED BY THE ASSOCIATED APPARATUS. IF THE ABOVE CRITERIA IS MET, THEN THE COMBINATION MAY BE CONNECTED.

$$V_{max} \text{ or } U_i \geq V_{oc} \text{ or } U_o \quad I_{max} \text{ or } I_i \geq I_{sc} \text{ or } I_o \quad P_{max} \text{ or } P_i \geq P_o \quad C_i + C_{cable} \leq C_a \quad L_i + L_{cable} \leq L_a$$

2 THE FISCO CONCEPT ALLOWS INTERCONNECTION OF INTRINSICALLY SAFE APPARATUS TO ASSOCIATED APPARATUS NOT SPECIFICALLY EXAMINED IN SUCH COMBINATION. THE CRITERIA FOR THE INTERCONNECTION IS THAT THE VOLTAGE (V_{max} or U_i), CURRENT (I_{max} or I_i), AND POWER (P_{max} or P_i), WHICH AN INTRINSICALLY SAFE APPARATUS CAN RECEIVE AND REMAIN INTRINSICALLY SAFE, CONSIDERING FAULTS, MUST BE EQUAL TO OR GREATER THAN THE VOLTAGE (V_{oc} or U_o), CURRENT (I_{sc} or I_o), AND POWER (P_o) LEVELS WHICH CAN BE DELIVERED BY THE ASSOCIATED APPARATUS, CONSIDERING FAULTS AND APPLICABLE FACTORS. IN ADDITION THE MAXIMUM UNPROTECTED CAPACITANCE (C_i) AND INDUCTANCE (L_i) OF EACH APPARATUS (OTHER THAN THE TERMINATION) CONNECTED TO THE FIELD BUS MUST BE LESS THAN OR EQUAL TO 5 nF AND 10 uH RESPECTIVELY.

IN EACH SEGMENT ONLY ONE ACTIVE DEVICE, NORMALLY THE ASSOCIATED APPARATUS, IS ALLOWED TO PROVIDE THE NECESSARY ENERGY FOR THE FIELD BUS SYSTEM. THE VOLTAGE (U_o or V_{oc} or V_t) OF THE ASSOCIATED APPARATUS HAS TO BE LIMITED TO THE RANGE OF 9 V TO 17.5 VDC. ALL OTHER EQUIPMENT CONNECTED TO THE BUS CABLE HAS TO BE PASSIVE, MEANING THAT THEY ARE NOT ALLOWED TO PROVIDE ENERGY TO THE SYSTEM, EXCEPT FOR A LEAKAGE CURRENT OF 50 uA FOR EACH CONNECTED DEVICE. SEPARATELY POWERED EQUIPMENT NEEDS A GALVANIC ISOLATION TO ASSURE THAT THE INTRINSICALLY SAFE FIELD BUS CIRCUIT REMAINS PASSIVE.

THE CABLE USED TO CONNECT THE DEVICES NEEDS TO HAVE THE PARAMETERS IN THE FOLLOWING RANGE:

- LOOP RESISTANCE R': 15 TO 150 ohms/km
- INDUCTANCE PER UNIT LENGTH L: 0.4 TO 1 mH/km
- CAPACITANCE PER UNIT LENGTH C': 80 TO 200 nF/km
- C' = C' LINE/LINE + 0.5' LINE/SCREEN, IF BOTH LINES ARE FLOATING OR
- C' = C' LINE/LINE + C' LINE/SCREEN, IF THE SCREEN IS CONNECTED TO ONE LINE.
- LENGTH OF SPLICE: < 1 m (T-BOX MUST ONLY CONTAIN TERMINAL CONNECTIONS WITH NO ENERGY STORAGE CAPABILITY)
- LENGTH OF SPUR CABLE: < 30 M
- LENGTH OF TRUNK CABLE: < 1 km

AT EACH END OF THE TRUNK CABLE AN APPROVED INFALLIBLE TERMINATION WITH THE FOLLOWING PARAMETERS IS SUITABLE:

$$R = 90 \text{ TO } 100 \text{ ohms AND } C = 0 \text{ TO } 2.2 \text{ uF}$$

NOTE, A BUILT-IN TERMINATOR IS INCLUDED IN THE FIELD SIDE AND A SELECTABLE TERMINATOR IS AVAILABLE ON THE HOST SIDE.

THE NUMBER OF PASSIVE DEVICES CONNECTED TO THE BUS SEGMENT IS NOT LIMITED IN THE FISCO CONCEPT FOR INTRINSICALLY SAFE REASONS. IF THE ABOVE RULES ARE RESPECTED, UP TO A TOTAL LENGTH OF 1000 m (SUM OF THE LENGTH OF THE TRUNK CABLE AND ALL SPUR CABLES), THE INDUCTANCE AND CAPACITANCE OF THE CABLE WILL NOT IMPAIR THE INTRINSIC SAFETY OF THE INSTALLATION.

- 3 INSTALLATION MUST BE IN ACCORDANCE WITH THE NATIONAL WIRING PRACTICES OF THE COUNTRY IN USE.
- 4 LOOPS MUST BE CONNECTED ACCORDING TO THE BARRIER MANUFACTURER'S INSTRUCTIONS.
- 5 IF HAND-HELD COMMUNICATOR OR MULTIPLEXER IS USED, IT MUST BE ATEX APPROVED WITH ENTITY PARAMETERS AND INSTALLED PER THE MANUFACTURER'S CONTROL DRAWINGS.

Neither Emerson, Emerson Automation Solutions, nor any of their affiliated entities assumes responsibility for the selection, use or maintenance of any product. Responsibility for proper selection, use, and maintenance of any product remains solely with the purchaser and end user.

Fisher and FIELDVUE are marks owned by one of the companies in the Emerson Automation Solutions business unit of Emerson Electric Co. Emerson Automation Solutions, Emerson, and the Emerson logo are trademarks and service marks of Emerson Electric Co. All other marks are the property of their respective owners.

The contents of this publication are presented for informational purposes only, and while every effort has been made to ensure their accuracy, they are not to be construed as warranties or guarantees, express or implied, regarding the products or services described herein or their use or applicability. All sales are governed by our terms and conditions, which are available upon request. We reserve the right to modify or improve the designs or specifications of such products at any time without notice.

Emerson Automation Solutions
Marshalltown, Iowa 50158 USA
Sorocaba, 18087 Brazil
Cernay, 68700 France
Dubai, United Arab Emirates
Singapore 128461 Singapore

www.Fisher.com

