

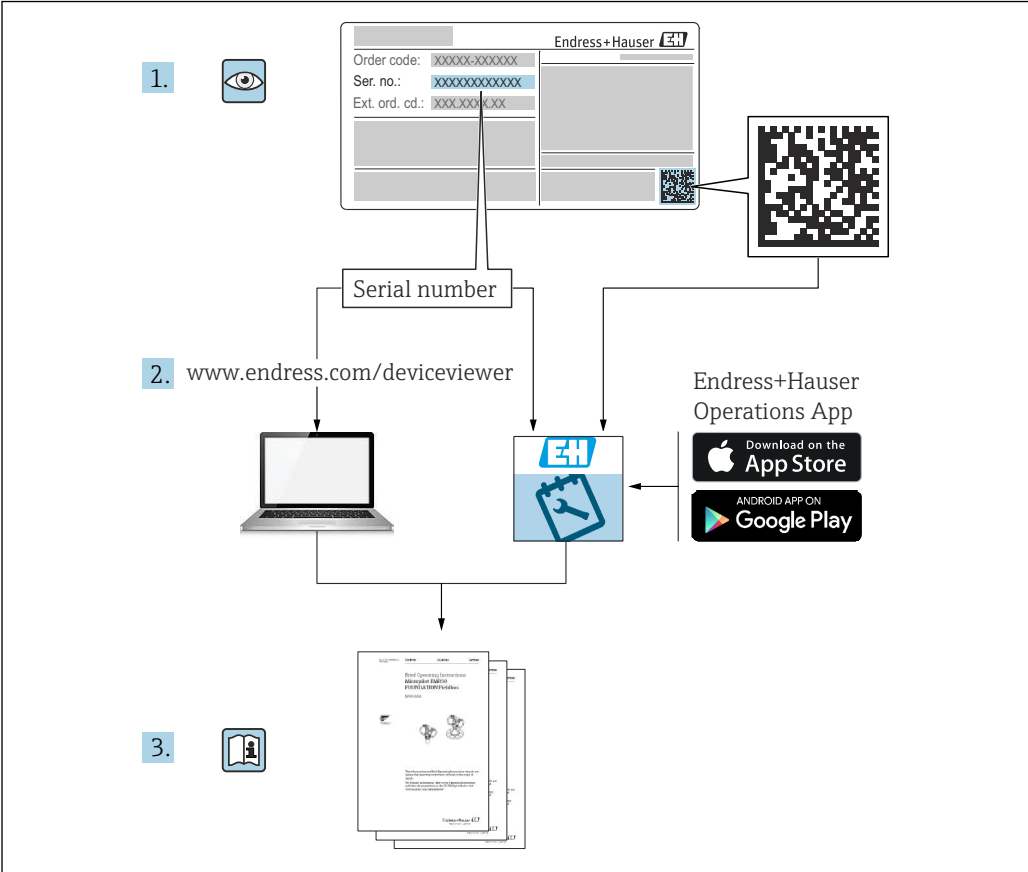
# Operating Instructions

## Prosonic S FMU90

### HART

Ultrasonic measuring technology  
Flow measurement  
1 or 2 sensors





A0023555

## Table of contents

<b>1</b>	<b>Important document information</b> . . . . .	<b>4</b>	9.4	Advanced settings . . . . .	57
1.1	Document function . . . . .	4	9.5	Simulation . . . . .	69
1.2	Symbols used . . . . .	4	9.6	Protecting settings from unauthorized access . . . . .	70
1.3	Documentation . . . . .	6			
1.4	Registered trademarks . . . . .	6			
<b>2</b>	<b>Basic safety instructions</b> . . . . .	<b>7</b>	<b>10</b>	<b>Diagnostics and troubleshooting</b> . . . . .	<b>72</b>
2.1	Designated use . . . . .	7	10.1	General troubleshooting . . . . .	72
2.2	Installation, commissioning and operation . . . . .	7	10.2	Overview of diagnostic information . . . . .	75
2.3	Operational safety and process safety . . . . .	7	10.3	Firmware history . . . . .	78
<b>3</b>	<b>Product description</b> . . . . .	<b>8</b>	<b>11</b>	<b>Maintenance</b> . . . . .	<b>80</b>
3.1	Product layout: polycarbonate field housing . . . . .	8	11.1	Exterior cleaning . . . . .	80
3.2	Product layout: aluminum field housing . . . . .	8	<b>12</b>	<b>Repair</b> . . . . .	<b>81</b>
3.3	Product layout: DIN rail housing . . . . .	9	12.1	General information . . . . .	81
3.4	Product layout: remote display and operating module for cabinet door and panel mounting . . . . .	9	12.2	Spare parts . . . . .	81
			12.3	Return . . . . .	81
			12.4	Disposal . . . . .	82
<b>4</b>	<b>Incoming acceptance and product identification</b> . . . . .	<b>11</b>	<b>13</b>	<b>Accessories</b> . . . . .	<b>83</b>
4.1	Incoming acceptance . . . . .	11	13.1	Communication-specific accessories . . . . .	83
4.2	Product identification . . . . .	11	13.2	Device-specific accessories . . . . .	83
4.3	Storage, transport . . . . .	12	<b>14</b>	<b>Operating menu</b> . . . . .	<b>88</b>
<b>5</b>	<b>Installation</b> . . . . .	<b>13</b>	14.1	Menu "Level → Level (LVL N)" . . . . .	88
5.1	Mounting the polycarbonate field housing . . . . .	13	14.2	Menu "Flow N" . . . . .	89
5.2	Mounting the aluminum field housing . . . . .	15	14.3	Menu "Backwater" . . . . .	91
5.3	Mounting the DIN rail housing . . . . .	16	14.4	Menu "Flow counter" . . . . .	92
5.4	Installation of the remote display and operating module . . . . .	18	14.5	Menu "Safety settings" . . . . .	92
5.5	Mounting the sensors . . . . .	20	14.6	Menu "Relay/controls" . . . . .	93
5.6	Post-installation check . . . . .	20	14.7	Menu "Output/calculat. → Current output N" . . . . .	99
<b>6</b>	<b>Electrical connection</b> . . . . .	<b>21</b>	14.8	Overview of the "Device properties" menu . . . . .	100
6.1	Connection conditions . . . . .	21	14.9	Menu "System informat." . . . . .	100
6.2	Connecting the device . . . . .	21	14.10	Menu "Display" . . . . .	102
6.3	Special connection instructions . . . . .	26	14.11	Menu "Sensor management" . . . . .	102
<b>7</b>	<b>Operating options</b> . . . . .	<b>43</b>			
7.1	Structure and function of the operating menu . . . . .	43			
7.2	Access to the operating menu via the local display . . . . .	44			
<b>8</b>	<b>System integration</b> . . . . .	<b>48</b>			
<b>9</b>	<b>Commissioning</b> . . . . .	<b>49</b>			
9.1	Preparatory steps . . . . .	49			
9.2	Switching on the measuring device . . . . .	49			
9.3	Configuring the measuring device . . . . .	50			

# 1 Important document information

## 1.1 Document function

These Operating Instructions provide all of the information that is required in various phases of the life cycle of the device including:

- Product identification
- Incoming acceptance
- Storage
- Installation
- Connection
- Operation
- Commissioning
- Troubleshooting
- Maintenance
- Disposal

## 1.2 Symbols used

### 1.2.1 Safety symbols

#### DANGER

This symbol alerts you to a dangerous situation. Failure to avoid this situation will result in serious or fatal injury.

#### WARNING

This symbol alerts you to a dangerous situation. Failure to avoid this situation can result in serious or fatal injury.

#### CAUTION

This symbol alerts you to a dangerous situation. Failure to avoid this situation can result in minor or medium injury.

#### NOTICE

This symbol contains information on procedures and other facts which do not result in personal injury.

### 1.2.2 Electrical symbols



Alternating current



Direct current and alternating current



Direct current



Ground connection

A grounded terminal which, as far as the operator is concerned, is grounded via a grounding system.

#### Protective earth (PE)

Ground terminals that must be connected to ground prior to establishing any other connections.

The ground terminals are located on the interior and exterior of the device:

- Interior ground terminal: protective earth is connected to the mains supply.
- Exterior ground terminal: device is connected to the plant grounding system.

### 1.2.3 Tool symbols



Phillips head screwdriver



Flat blade screwdriver



Torx screwdriver



Allen key



Open-ended wrench

### 1.2.4 Symbols for certain types of information and graphics

#### Permitted

Procedures, processes or actions that are permitted

#### Preferred

Procedures, processes or actions that are preferred

#### Forbidden

Procedures, processes or actions that are forbidden

#### Tip

Indicates additional information



Reference to documentation



Reference to graphic



Notice or individual step to be observed

#### **1, 2, 3**

Series of steps



Result of a step



Visual inspection



Operation via operating tool



Write-protected parameter

#### **1, 2, 3, ...**

Item numbers

#### **A, B, C, ...**

Views

#### → **Safety instructions**

Observe the safety instructions contained in the associated Operating Instructions




#### **Temperature resistance of the connection cables**

Specifies the minimum value of the temperature resistance of the connection cables

## 1.3 Documentation

The following documentation types are available in the Downloads area of the Endress+Hauser website ([www.endress.com/downloads](http://www.endress.com/downloads)):

 For an overview of the scope of the associated Technical Documentation, refer to the following:

- *W@M Device Viewer* ([www.endress.com/deviceviewer](http://www.endress.com/deviceviewer)): Enter the serial number from nameplate
- *Endress+Hauser Operations App*: Enter the serial number from the nameplate or scan the 2D matrix code (QR code) on the nameplate

### 1.3.1 Technical Information (TI)

#### Planning aid

The document contains all the technical data on the device and provides an overview of the accessories and other products that can be ordered for the device.

### 1.3.2 Brief Operating Instructions (KA)

#### Guide that takes you quickly to the 1st measured value

The Brief Operating Instructions contain all the essential information from incoming acceptance to initial commissioning.

### 1.3.3 Safety Instructions (XA)

Depending on the approval, the following Safety Instructions (XA) are supplied with the device. They are an integral part of the Operating Instructions.

 The nameplate indicates the Safety Instructions (XA) that are relevant to the device.

## 1.4 Registered trademarks

#### HART®

Registered trademark of the FieldComm Group, Austin, Texas, USA

## 2 Basic safety instructions

### 2.1 Designated use

Prosonic S FMU90 is a transmitter for ultrasonic sensors FDU90, FDU91, FDU91F, FDU92, FDU93 and FDU95. To support existing installations, the following sensors can also be connected: FDU80, FDU80F, FDU81, FDU81F, FDU82, FDU83, FDU84, FDU85, FDU86, FDU96.

#### Typical measuring tasks

- Flow measurement in open flumes and measuring weirs
- (Non-resettable) totalizers and (resettable) daily counters
- Control of samplers by time-based or volume-based pulses
- Detection of backwater and dirt in flumes
- Simultaneous measurement of basin level and discharge volume in a stormwater overflow basin with just one sensor

### 2.2 Installation, commissioning and operation

This device has been safely built with state-of-the-art technology and meets the applicable requirements and EU Directives. However, if it is used improperly or for applications for which it is not intended, application-related hazards may arise, e.g. product overflow due to incorrect installation or configuration. Installation, electrical connection, commissioning, operation and maintenance of the measuring system must therefore be carried out exclusively by trained specialists authorized to perform such work by the system operator. Technical personnel must have read and understood these Operating Instructions and must adhere to them. Modifications and repairs to the device may only be carried out if they are expressly permitted in the Operating Instructions.

### 2.3 Operational safety and process safety

Alternative monitoring measures must be taken to ensure operational safety and process safety during configuration, testing and maintenance work on the device.

#### 2.3.1 Hazardous area

When using the measuring system in hazardous areas, the applicable national standards must be observed. The device is accompanied by separate "Ex documentation", which is an integral part of these Operating Instructions. The installation specifications, connection values and safety instructions listed in this supplementary documentation must be observed.

- Ensure that the technical personnel is sufficiently trained.
- Comply with the metrological and safety-related requirements for the measuring point.

The transmitter may only be mounted in suitable areas. Sensors with an approval for hazardous areas may be connected to transmitters that do not have an Ex approval.

#### **WARNING**

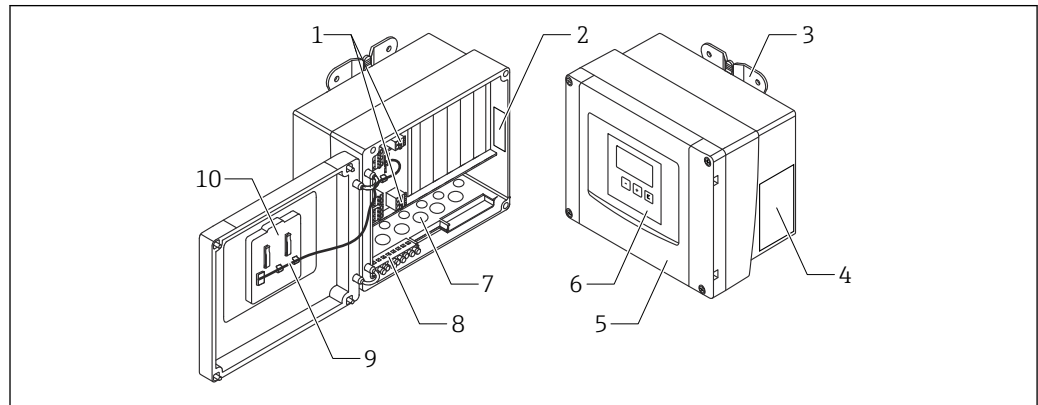
#### Explosion Hazard

- ▶ Do not connect FDU83, FDU84, FDU85 and FDU86 sensors with an ATEX, FM, or CSA certificate to the Prosonic S transmitter.

## 3 Product description

### 3.1 Product layout: polycarbonate field housing

- i** Valid for:  
 Order code 030 (housing, material)  
 Option 1 (PC field mounting, IP66 NEMA4x)



A0035266

**i** 1 Parts of the Prosonic S in the polycarbonate field housing

- 1 Terminals
- 2 Device designation and identification
- 3 Housing bracket
- 4 Nameplate
- 5 Cover of terminal compartment
- 6 Display and operating module
- 7 Precut openings for cable entries
- 8 Grounding terminal block
- 9 Display cable
- 10 Brief Operating Instructions

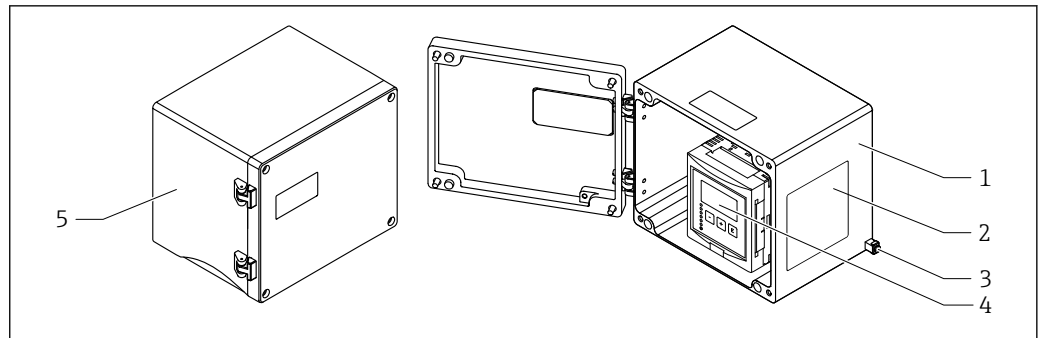
- i** Two special screws are included in the scope of delivery for the following device versions for the purpose of sealing:

- FMU90-\*21\*\*\*\*\*
- FMU90-\*41\*\*\*\*\*

### 3.2 Product layout: aluminum field housing

- i** Valid for:  
 Order code 030 (housing, material)  
 Option 3 (aluminum field mounting, IP66 NEMA4x)





A0033256

**2** Parts of the Prosonic S in the aluminum field housing

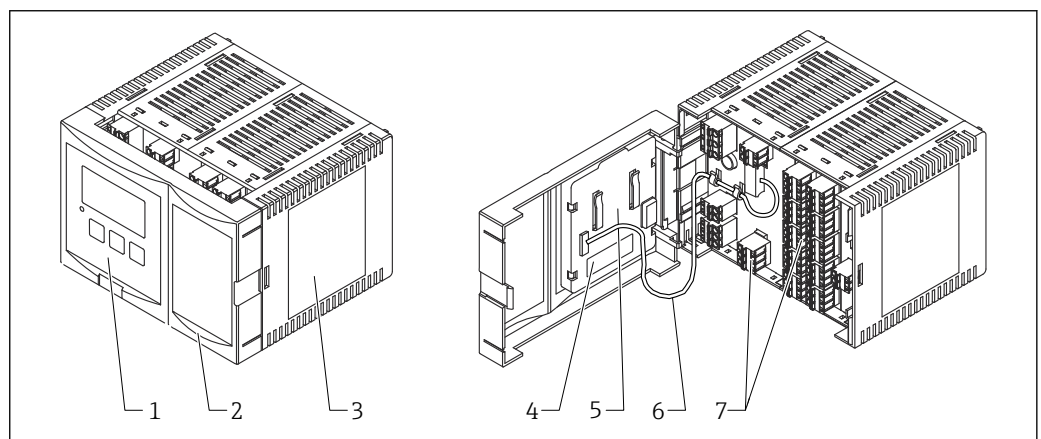
- 1 Aluminum field housing, open
- 2 Nameplate
- 3 Terminal for potential equalization (protective ground)
- 4 Display and operating module
- 5 Aluminum field housing, closed

### 3.3 Product layout: DIN rail housing



**Valid for:**

- Order code 030 (housing, material)
- Option 2 (DIN rail mounting PBT, IP20)



A0035268

**3** Parts of the Prosonic S in the DIN rail housing

- 1 Display and operating module
- 2 Cover of terminal compartment
- 3 Nameplate
- 4 Device designation and identification
- 5 Brief Operating Instructions
- 6 Display cable
- 7 Terminals



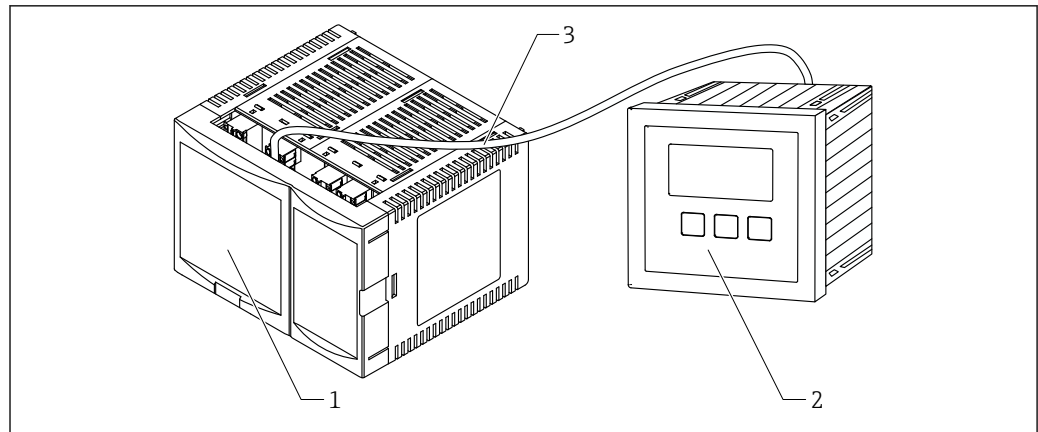
One possible version of the DIN rail housing is illustrated in the graphic above. The housing may be narrower or wider depending on the device version.

### 3.4 Product layout: remote display and operating module for cabinet door and panel mounting



**Valid for:**

- Order code 040 (operation)
- Option E (illuminated display + keypad, 96x96, panel mounting, IP65 at front)



A0035265

**4** Parts of the Prosonic S with remote display and operating module

- 1 DIN rail housing without display and operating module
- 2 Remote display and operating module for mounting in a cabinet
- 3 The cable (3m [9.8 ft]) is supplied


**i** One possible version of the DIN rail housing is illustrated in the graphic above. The housing may be narrower or wider depending on the device version.

## 4 Incoming acceptance and product identification

### 4.1 Incoming acceptance

Check the following during goods acceptance:

- Are the order codes on the delivery note and the product label identical?
- Are the goods undamaged?
- Do the data on the nameplate match the ordering information on the delivery note?
- If required (see nameplate): are the Safety Instructions (XA) provided?

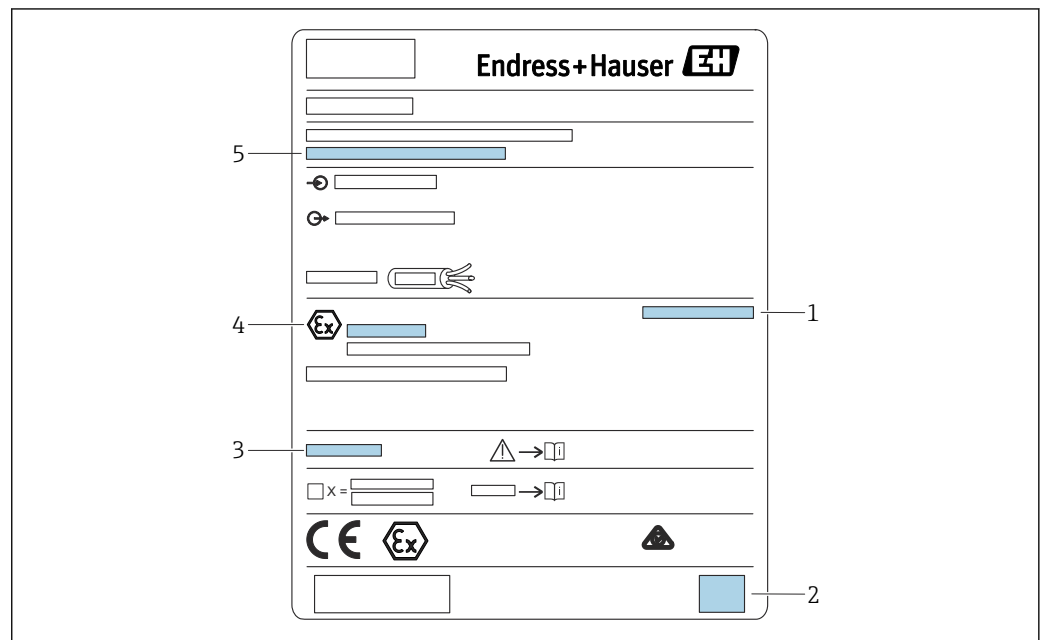
 If one of these conditions is not met, please contact your Endress+Hauser sales office.

### 4.2 Product identification

The following options are available for the identification of the measuring device:

- Nameplate specifications
- Order code with breakdown of the device features on the delivery note
- Enter the serial number on the nameplate into *W@M Device Viewer* ([www.endress.com/deviceviewer](http://www.endress.com/deviceviewer)): all the information about the measuring device is displayed.
- Enter the serial number on the nameplate into the *Endress+Hauser Operations App* or scan the 2-D matrix code (QR code) on the nameplate with the *Endress+Hauser Operations App*: all the information about the measuring device is displayed.

#### 4.2.1 Nameplate



A0033422

 5 Nameplate

1 Degree of protection

2 2-D matrix code (QR code)

3 Reference to additional safety-related documentation

4 Identification marking according to ATEX Directive 2014/34/EC and type of protection

5 Serial number

### 4.3 Storage, transport

- Pack the device so that it is protected against impact for storage and transportation. The original packaging provides optimum protection.
- Permitted storage temperature: -40 to +60 °C (-40 to 140 °F)

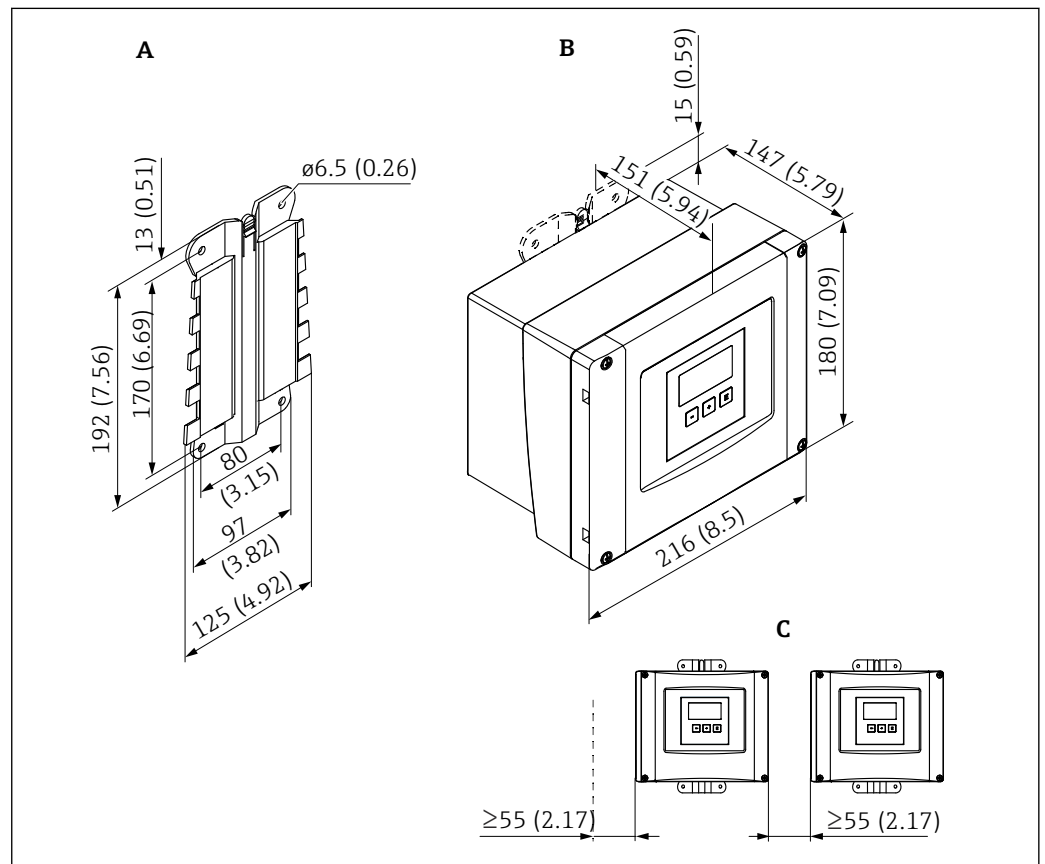
## 5 Installation

### 5.1 Mounting the polycarbonate field housing

- i** Valid for:  
 Order code 030 (housing, material)  
 Option 1 (PC field mounting, IP66 NEMA4x)

#### 5.1.1 Installation conditions

##### Dimensions of polycarbonate field housing



**6** Dimensions of Prosonic S with polycarbonate field housing. Unit of measurement mm (in)

- A Housing bracket (supplied), can also be used as a drilling template  
 B Polycarbonate field housing  
 C Minimum mounting clearance

- i** Mount the housing bracket on a level surface so that it cannot become warped or bent. Otherwise it may be difficult or impossible to mount the polycarbonate field housing.

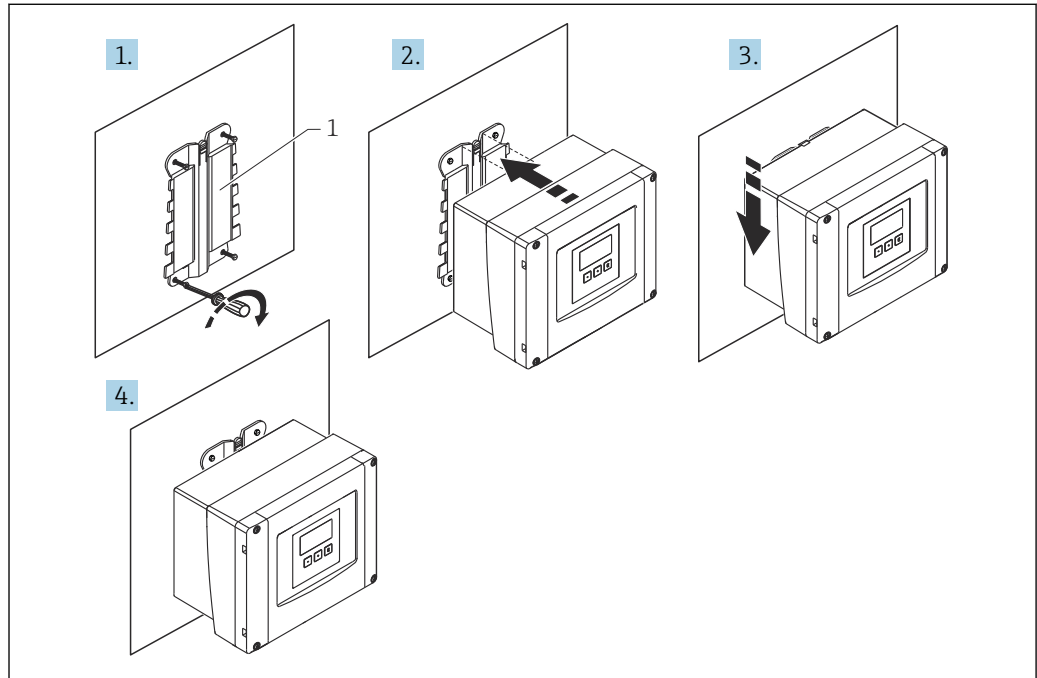
#### Mounting location

- Shaded location, protected from direct sunlight. Use a weather protection cover if necessary.
- If mounting outdoors: use a surge arrester.
- Altitude: install at a maximum altitude of 2 000 m (6 560 ft) over MSL
- Minimum clearance to the left: 55 mm (2.17 in); the housing cover cannot be opened otherwise.

### 5.1.2 Mounting the device

#### Wall mounting

- The housing bracket supplied can also be used as a drilling template.
- Mount the housing bracket on a level surface so that it cannot become warped or bent.

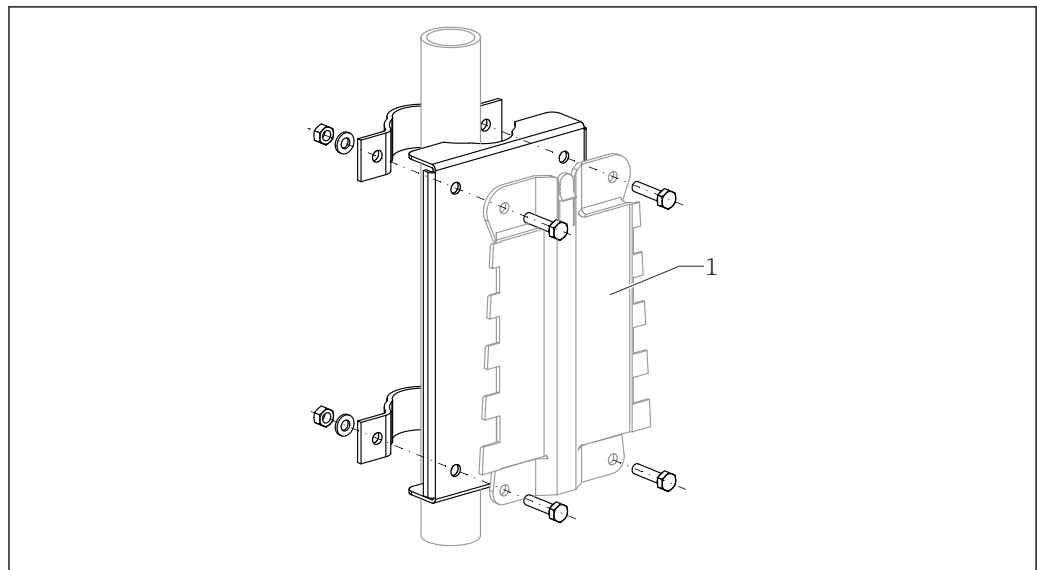


A0032558

7 Wall-mounted polycarbonate field housing

1 Housing bracket (supplied)

#### Post mounting



A0034923

8 Mounting plate for mounting the polycarbonate field housing on a post

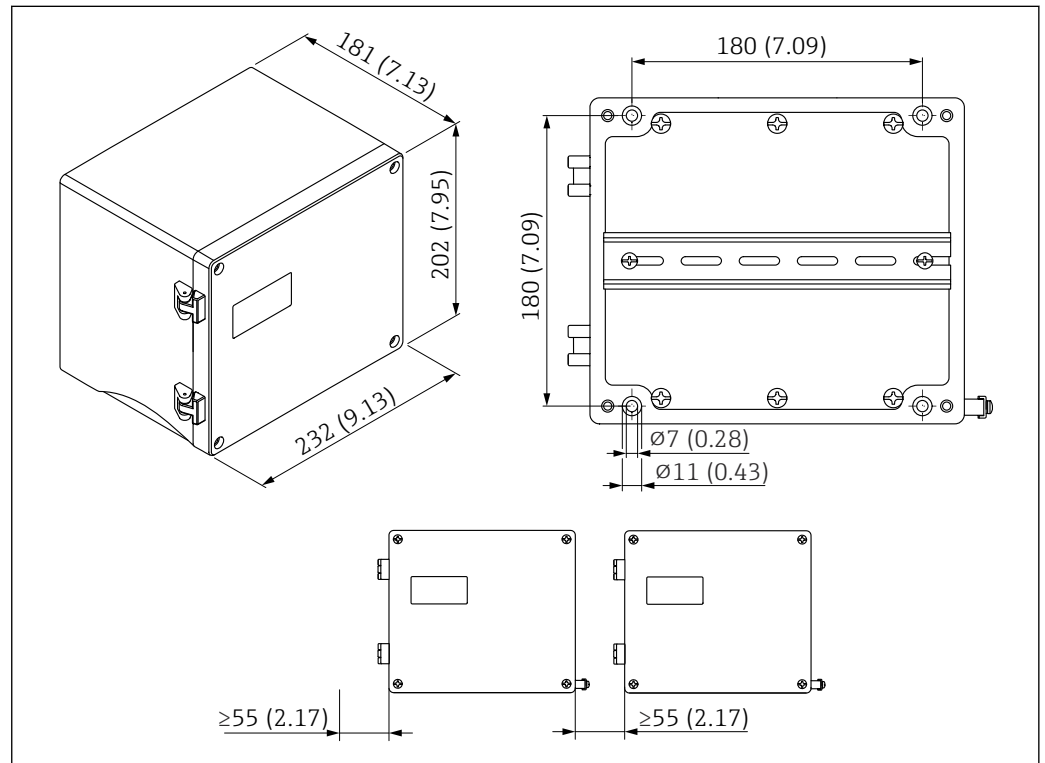
1 Housing bracket (supplied)

## 5.2 Mounting the aluminum field housing

- i** Valid for:  
 Order code 030 (housing, material)  
 Option 3 (aluminum field mounting, IP66 NEMA4x)

### 5.2.1 Installation conditions

#### Dimensions of the aluminum field housing

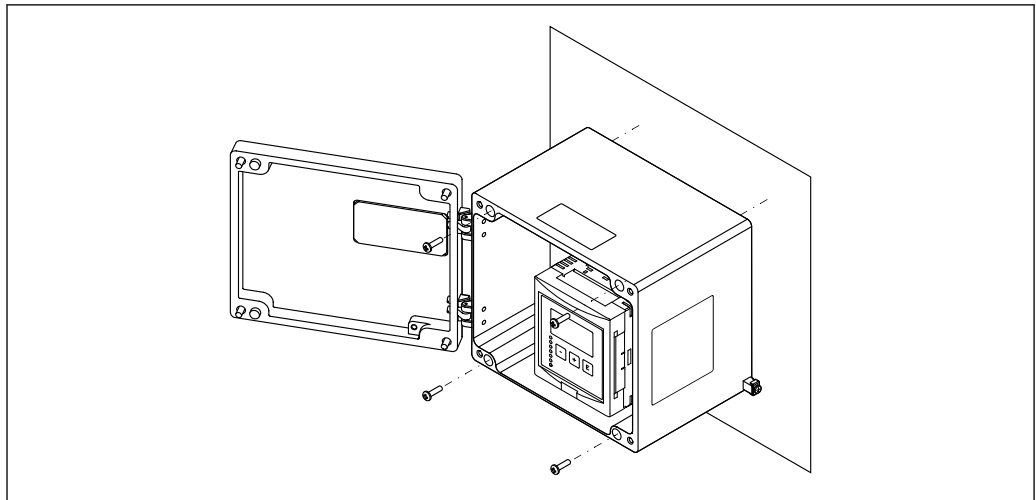


9 Dimensions of Prosonic S with aluminum field housing. Unit of measurement mm (in)

#### Mounting location

- Shaded location, protected from direct sunlight
- If mounting outdoors: use a surge arrester
- Altitude: install at a maximum altitude of 2 000 m (6 560 ft) over MSL
- Minimum clearance to the left: 55 mm (2.17 in); the housing cover cannot be opened otherwise

## 5.2.2 Mounting the device



10 Wall-mounted aluminum field housing

A0033331

## 5.3 Mounting the DIN rail housing

**i** Valid for:  
Order code 030 (housing, material)  
Option 2 (DIN rail mounting PBT, IP20)

### **⚠ WARNING**

**The DIN rail housing meets protection class IP06.**

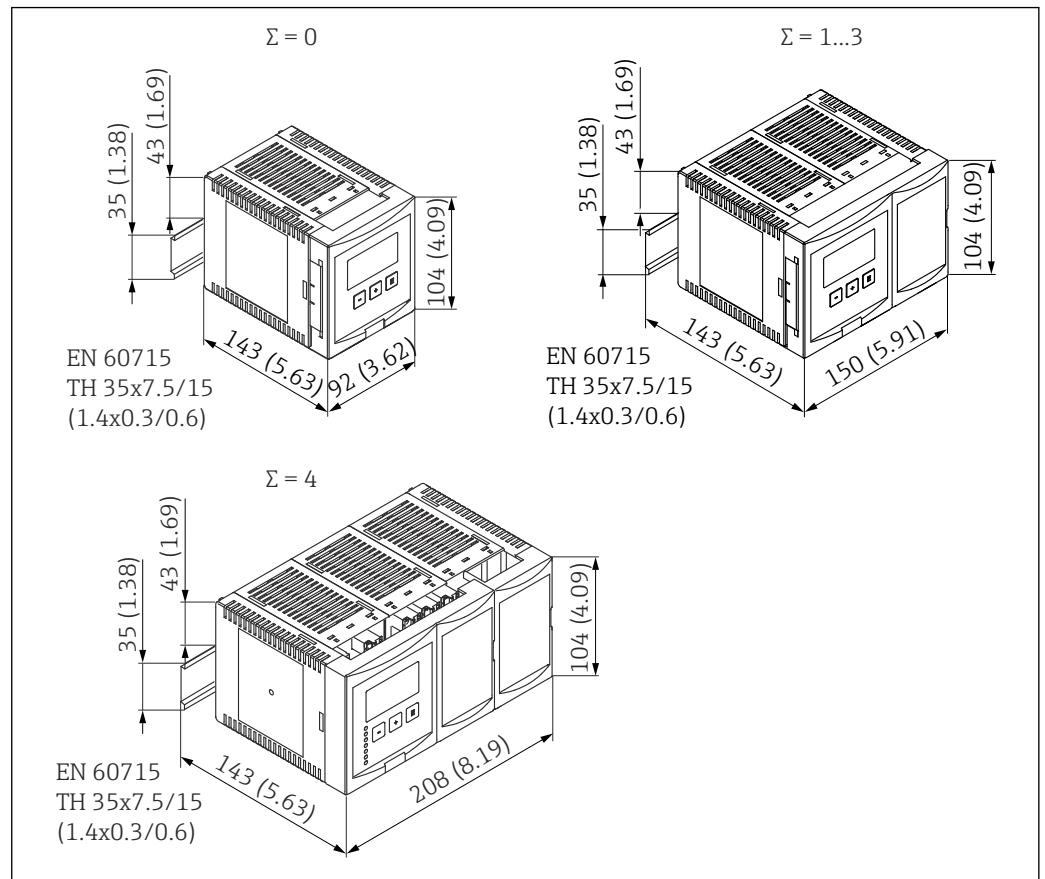
If the housing is damaged, there is a risk of electric shock at live parts.

- ▶ Install the device in a stable cabinet.



### 5.3.1 Installation conditions

#### Dimensions

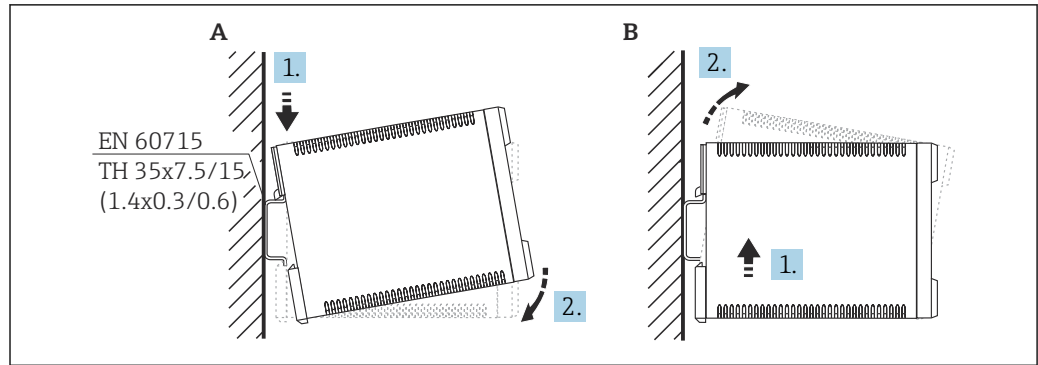


11 Dimensions of Prosonic S with DIN rail housing;  $\Sigma$ : number of additional connection modules. Unit of measurement mm (in)

#### Mounting location

- In cabinet outside hazardous areas
- At a sufficient distance from high-voltage electric cables, motor cables, contactors or frequency converters
- Altitude: install at a maximum altitude of 2 000 m (6 560 ft) over MSL
- Minimum clearance to the left: 10 mm (0.4 in); the housing cover cannot be opened otherwise.

### 5.3.2 Mounting the device



12 Mounting/disassembling the DIN rail housing. Unit of measurement mm (in)

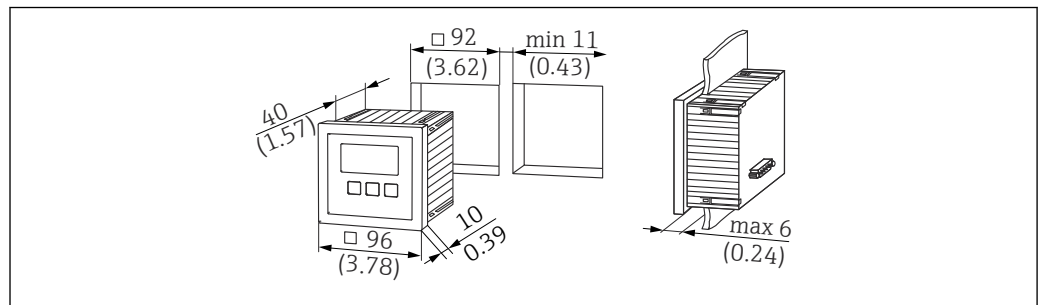
- A Installation
- B Disassembly

## 5.4 Installation of the remote display and operating module

- i** Valid for:
  - Order code 040 (operation)
  - Option E (illuminated display + keypad, 96x96, panel mounting, IP65 at front)

### 5.4.1 Mounting methods

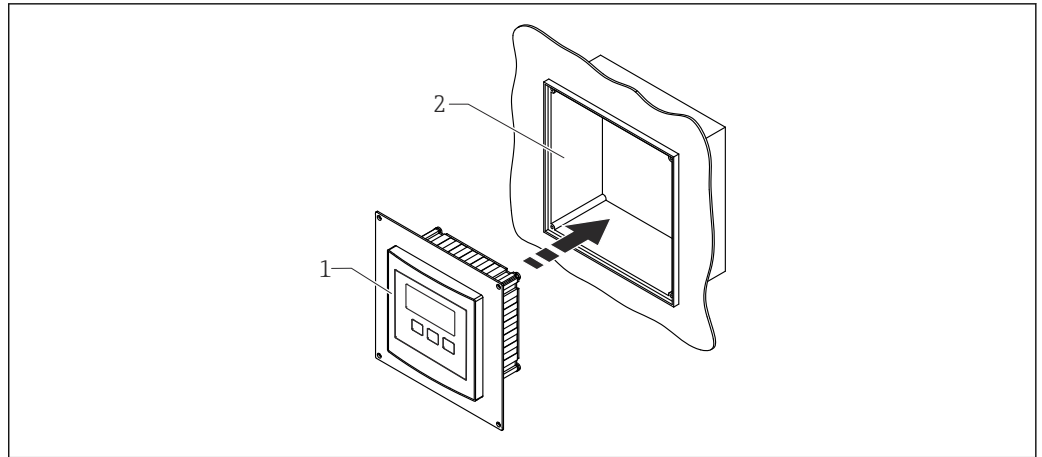
#### Mounting in appropriate installation opening



13 Opening for remote display and operating module. Unit of measurement mm (in)

#### Mounting in remote display of Prosonic FMU860/861/862

- This mounting method is suitable if FMU9x replaces the FMU86x predecessor model (both with a remote display module).
- Order number for adapter plate: 52027441



A0032562

14 Mounting in remote display of FMU860/861/862

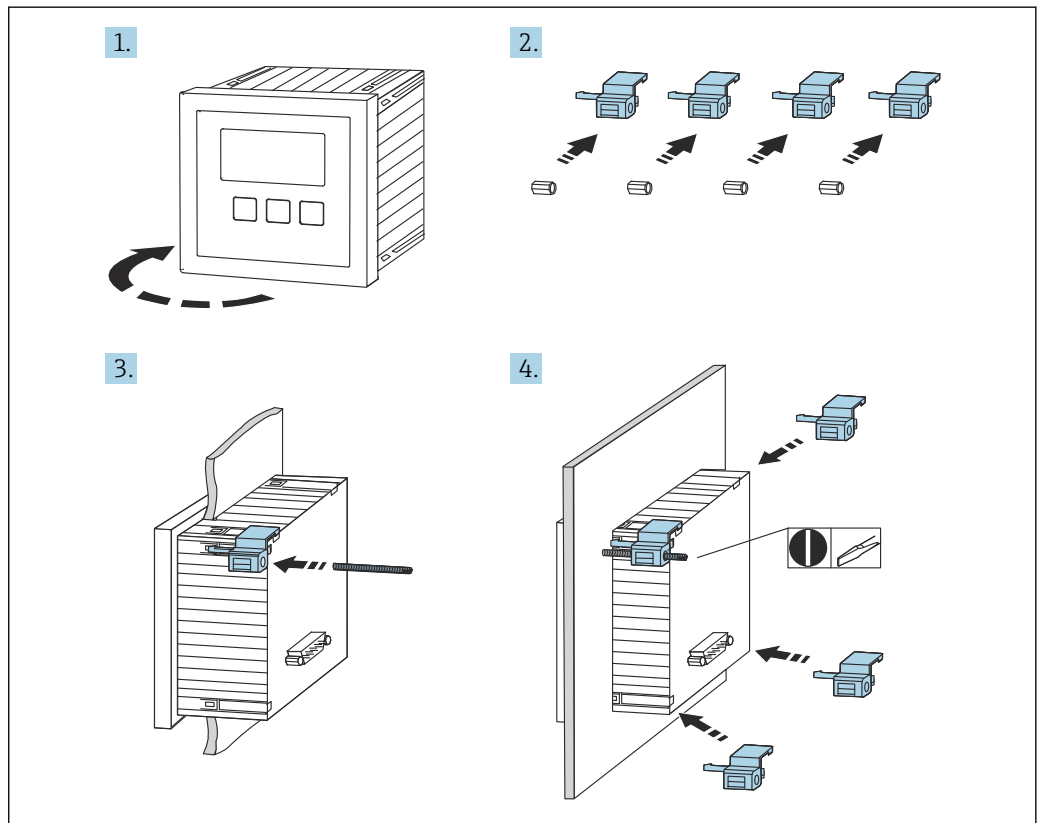
- 1 Remote display of Prosonic S with adapter plate
- 2 Opening of remote display of the FMU860/861/862

### 5.4.2 Mounting the device

#### Scope of delivery

- Display and operating module 96 x 96 mm (3.78 x 3.78 in)
- 4 retainers with nuts and screws
- Connecting cable (3 m (9.8 ft)) to connect to the transmitter (pre-terminated with suitable connectors)

#### Installation instructions



A0032561

15 Installation of the remote display and operating module

## 5.5 Mounting the sensors



Further information and the documentation currently available can be found on the Endress+Hauser website: [www.endress.com](http://www.endress.com) → Downloads.

Sensor documentation:

- TI01469F (FDU90)
- TI01470F (FDU91)
- TI01471F (FDU91F)
- TI01472F (FDU92)
- TI01473F (FDU93)
- TI01474F (FDU95)

Sensors FDU80/80F/81/81F/82/83/84/85/86/96 can no longer be ordered. The Prosonic S transmitter can still be connected if the sensors are already installed.

## 5.6 Post-installation check

Perform the following checks after mounting the device:

- Is the device undamaged (visual inspection)?
- Does the device match the measuring point specifications such as process temperature, process pressure, ambient temperature, measuring range etc.?
- If provided: are the measuring point number and labeling correct?
- Is the measuring device adequately protected against precipitation and direct sunlight?
- In the case of the field housing: are the cable glands tightened correctly?
- Is the device firmly seated on the DIN rail/is the device correctly mounted on the field housing bracket (visual inspection)?
- Are the cover screws on the connection compartment cover of the field housing tightened securely (visual inspection)?

## 6 Electrical connection

### 6.1 Connection conditions

#### 6.1.1 Cable specification

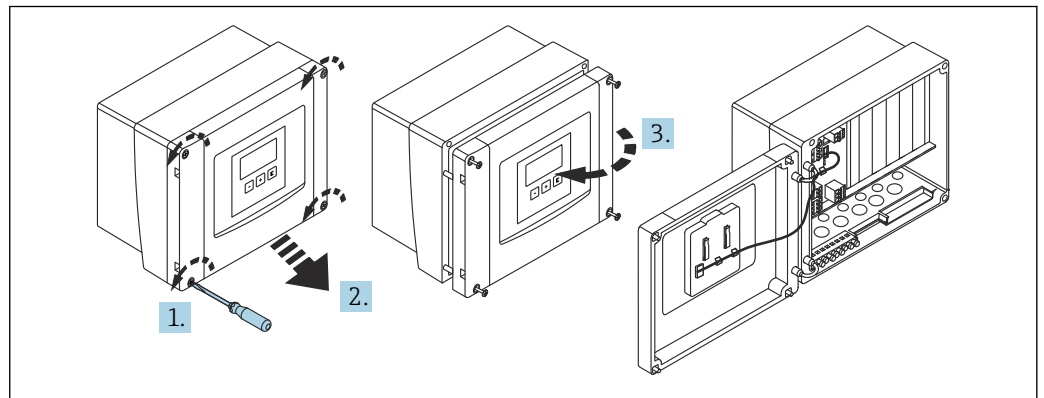
- **Conductor cross-section:** 0.2 to 2.5 mm<sup>2</sup> (26 to 14 AWG)
- **Wire sleeve cross-section:** 0.25 to 2.5 mm<sup>2</sup> (24 to 14 AWG)
- **Min. stripping length:** 10 mm (0.39 in)

### 6.2 Connecting the device

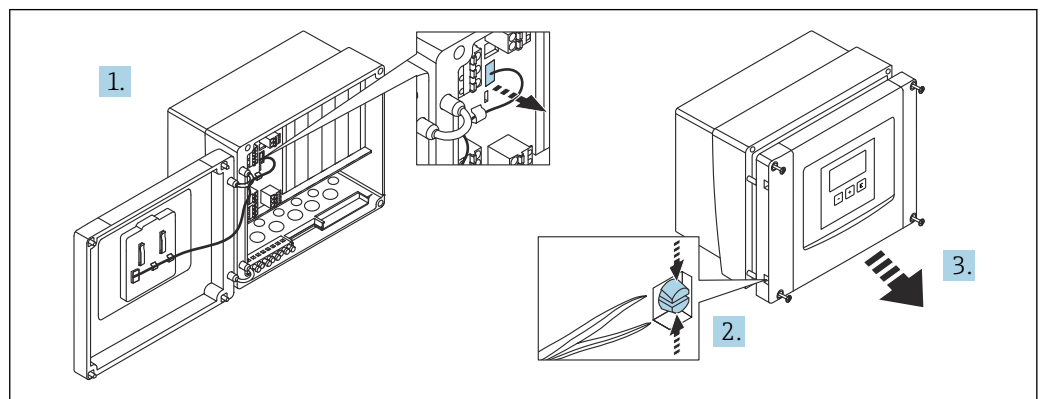
#### 6.2.1 Terminal compartment of polycarbonate field housing

- i** Valid for:  
 Order code 030 (housing, material)  
 Option 1 (PC field mounting, IP66 NEMA4x)

##### Access to terminal compartment



16 Access to terminal compartment in polycarbonate field housing



17 For easier wiring, remove the cover from the field housing

### Cable entries

Precut openings on the bottom of the housing for the following cable entries:

- M20x1.5 (10 openings)
- M16x1.5 (5 openings)
- M25x1.5 (1 opening)

Use a suitable tool to cut out the openings.

## 6.2.2 Terminal compartment of aluminum field housing



### Valid for:

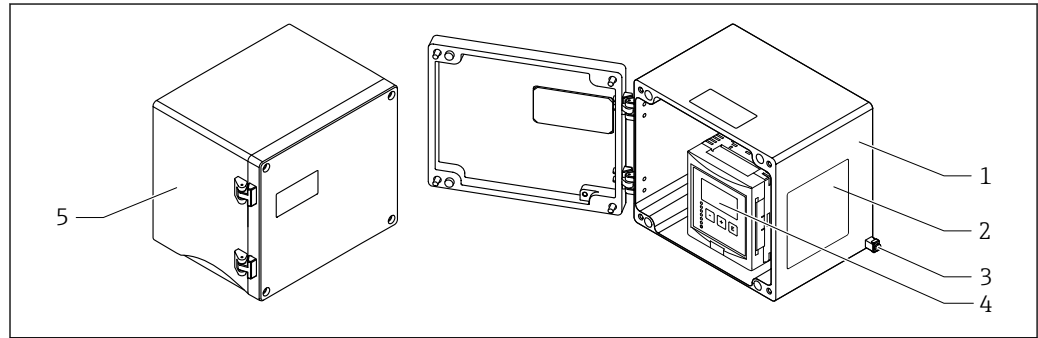
Order code 030 (housing, material)  
Option 3 (aluminum field mounting, IP66 NEMA4x)

### **WARNING**

#### To ensure explosion protection:

- ▶ Ensure that all the terminals are located in the field housing. (Exception: terminal for protective ground on the outside of the field housing).
- ▶ Connect the housing to the local ground potential (PML).
- ▶ To route the cables, only use cable glands that meet the explosion protection requirements at the place of operation.

### Access to terminal compartment



**18** Access to terminal compartment in aluminum field housing

- 1 Aluminum field housing, open
- 2 Nameplate
- 3 Terminal for protective ground
- 4 Display and operating module
- 5 Aluminum field housing, closed

### Cable entries

- 12 M20x1.5 openings for cable entries are located on the bottom of the field housing.
- To establish the electrical connection: guide the cables through the cable entries and into the housing. The electrical connection is then established in the same way as in the DIN rail housing.

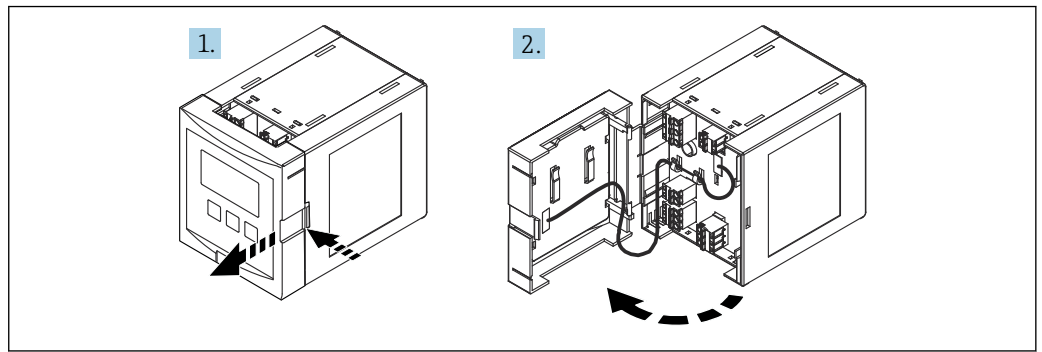
## 6.2.3 Terminal compartment of DIN rail housing



### Valid for:

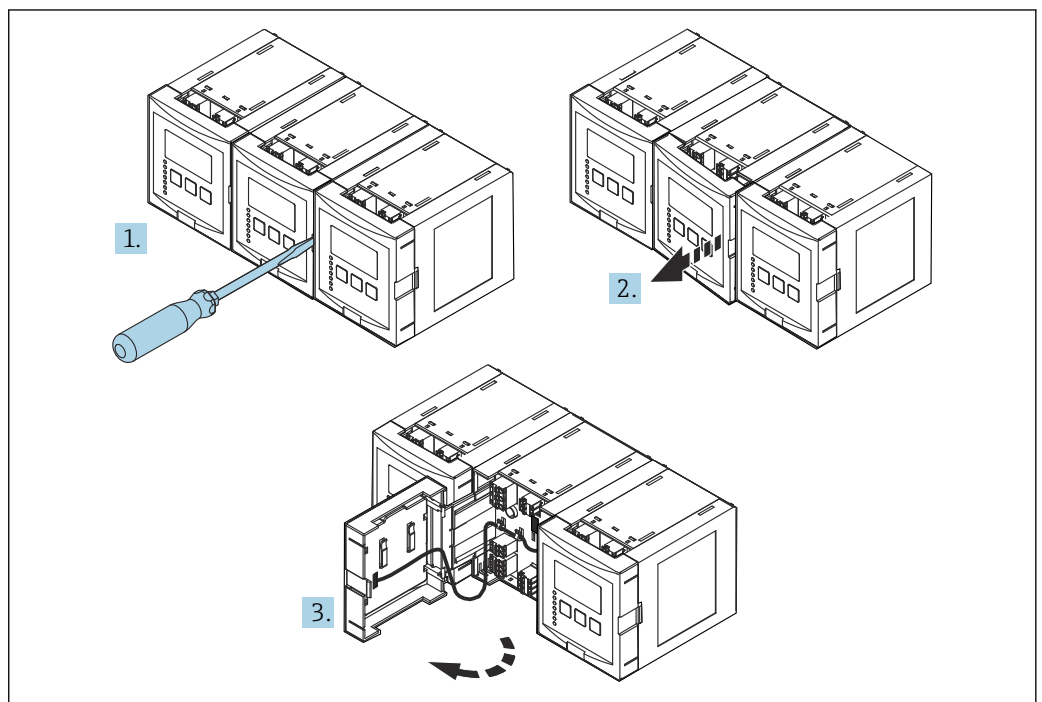
Order code 030 (housing, material)  
Option 2 (DIN rail mounting PBT, IP20)

### Access to terminal compartment



A0034897

19 Access to terminal compartment: single DIN rail housing unit



A0034898

20 Access to terminal compartment: several DIN rail housing units mounted side by side

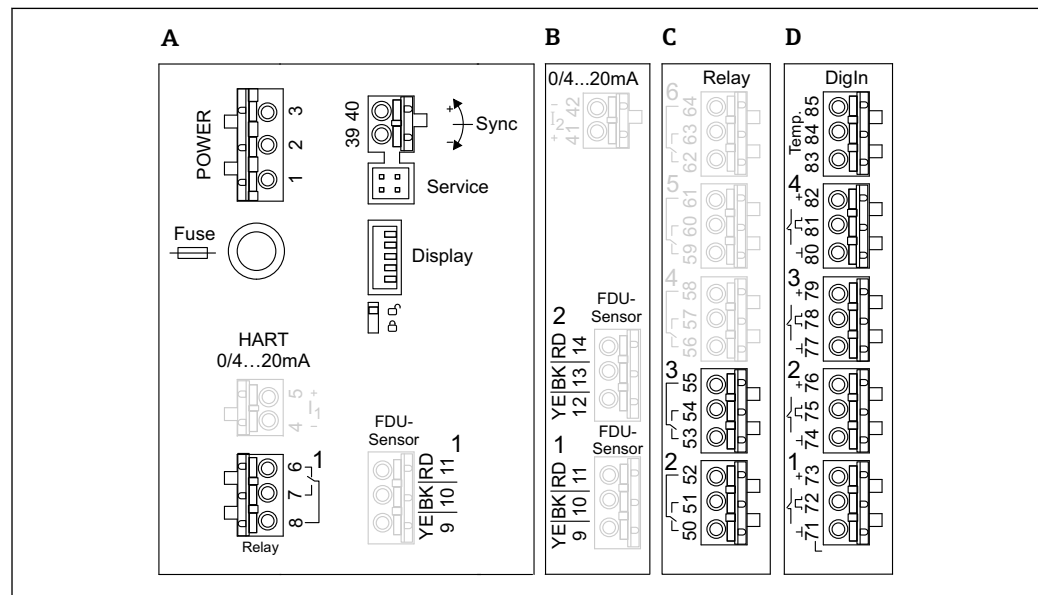
## 6.2.4 Terminal assignment

### Terminal type

Prosonic S has plug-in spring terminals. Rigid conductors or flexible conductors with ferrules can be inserted directly into the terminal without using the lever, and create a contact automatically.

### Terminal areas

- **Basic terminal area (A)**  
Found on all device versions
- **Terminal area for additional inputs and outputs (B)**  
Found on the following device versions:
  - FMU90 - \*\*\*\*\*2\*\*\*\*\*
  - FMU90 - \*\*\*\*\*2\*\*\*\*\*
- **Terminal area for relays (C)**  
Found on the following device versions:
  - FMU90 - \*\*\*\*\*3\*\*\*\*\*
  - FMU90 - \*\*\*\*\*6\*\*\*\*\*
- **Terminal area for switch inputs and temperature inputs (D)**  
Found on the following device version:  
FMU90 - \*\*\*\*\*B\*\*\*



A0035301

21 Terminal areas; the terminals shown in gray are not available in every device version

- A Basic terminal area
- B Optional terminal area for two sensors
- C Optional terminal area for up to five relays
- D Optional terminal area for up to four external switches and one external temperature sensor

**i** The relay switching states shown on the terminal area refer to the de-energized state.

### Terminals for power supply (AC version)

#### Terminal area A

- Terminal 1: L (90 to 253 V<sub>AC</sub>)
- Terminal 2: N
- Terminal 3: potential equalization
- Fuse: 400 mA T

### Terminals for power supply (DC version)

#### Terminal area A

- Terminal 1: L+ (10.5 to 32 V<sub>DC</sub>)
- Terminal 2: L-
- Terminal 3: potential equalization
- Fuse: 2AT



**Terminals for analog outputs***Terminal area A*

Terminals 4, 5: analog output 1 (0/4 to 20mA, HART)

*Terminal area B*

Terminals 41, 42: analog output 2 (0/4 to 20mA)

**Terminals for relays***Terminal area A*

Terminals 6, 7, 8: relay 1

*Terminal area C*

- Terminals 50, 51, 52: relay 2
- Terminals 53, 54, 55: relay 3
- Terminals 56, 57, 58: relay 4
- Terminals 59, 60, 61: relay 5
- Terminals 62, 63, 64: relay 6

**Terminals for level inputs***Terminal area A*

Sensor 1 (for device version with one sensor input)

- Terminal 9: yellow sensor wire
- Terminal 10: black sensor wire (cable shield)
- Terminal 11: red sensor wire

*Terminal area B*

■ Sensor 1 (for device version with two sensor inputs)

- Terminal 9: yellow sensor wire
- Terminal 10: black sensor wire (cable shield)
- Terminal 11: red sensor wire

■ Sensor 2 (for device version with two sensor inputs)

- Terminal 12: yellow sensor wire
- Terminal 13: black sensor wire (cable shield)
- Terminal 14: red sensor wire

**Terminals for synchronization***Terminal area A*

Terminals 39, 40: synchronization of multiple Prosonic S transmitters

**Terminals for switch inputs***Terminal area D*

- Terminals 71, 72, 73: external switch 1
- Terminals 74, 75, 76: external switch 2
- Terminals 77, 78, 79: external switch 3
- Terminals 80, 81, 82: external switch 4


**Terminals for temperature input***Terminal area D*

Terminals 83, 84, 85:

- Pt100
- Omnigrad S TR61 (Endress+ Hauser)

## Other elements on the terminal areas

### Terminal area A

- **Display**  
Connection of the display or the remote display and operating module
- **Service**  
Service interface; for connection of a PC/notebook via Commubox FXA291
-  **Write protection switch**: locks the device to prevent modifications to the configuration.

## 6.3 Special connection instructions

### 6.3.1 Connecting the power supply

#### CAUTION

#### To guarantee electrical safety:

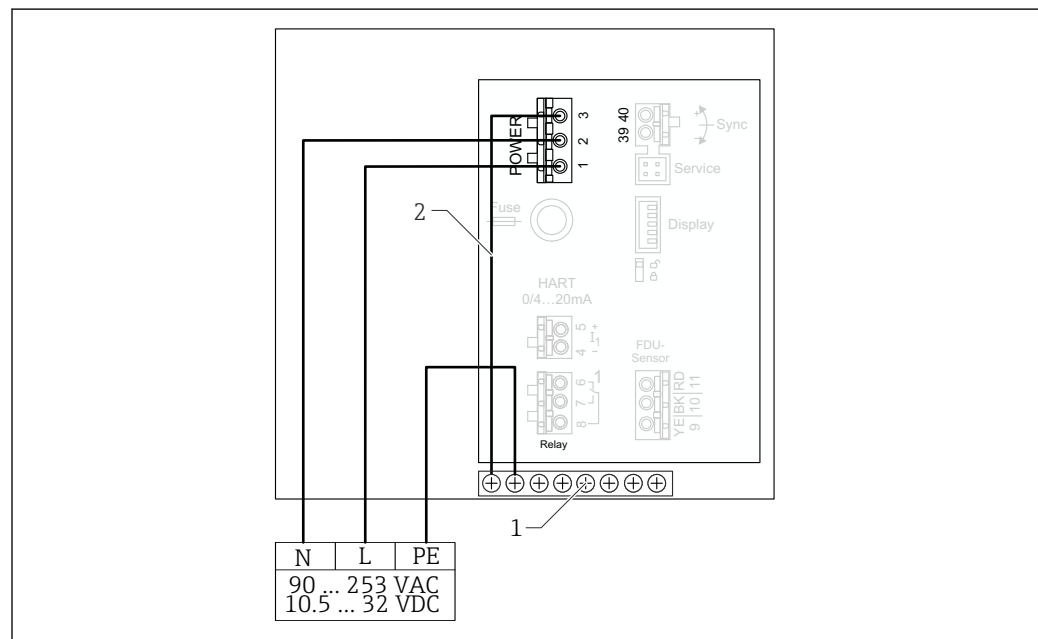
- ▶ Fix the power supply cables securely in place when installing so they are permanently connected to the electrical installations for the building.
- ▶ When connecting to the public mains, install a mains switch for the device such that it is within easy reach of the device. Mark the power switch as a disconnecter for the device (IEC/EN61010).
- ▶ For the 90-253VAC version: connect potential equalization
- ▶ Switch off the supply voltage before connecting.

#### Connection of the power supply in the polycarbonate field housing




#### Valid for:

- Order code 030 (housing, material)
- Option 1 (PC field mounting, IP66 NEMA4x)



A0035934

 22 Connection of the power supply in the polycarbonate field housing

- 1 Terminal block in field housing for potential equalization
- 2 Potential equalization; wired on delivery

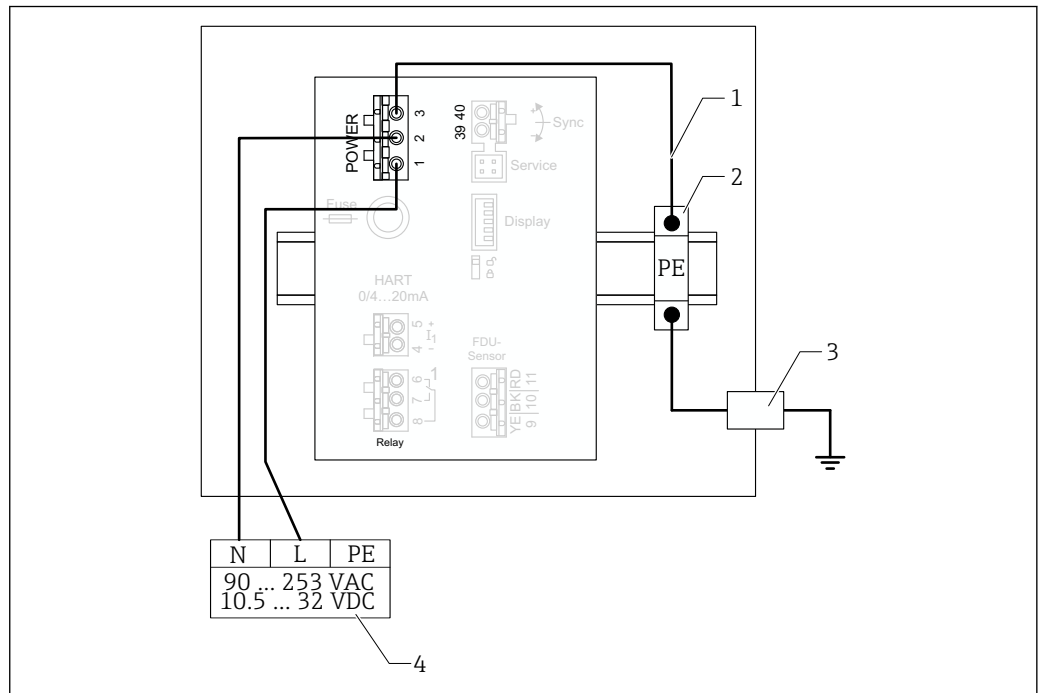
### Connection of the power supply in the aluminum field housing

- i** **Valid for:**  
 Order code 030 (housing, material)  
 Option 3 (aluminum field mounting, IP66 NEMA4x)

**⚠ WARNING**

#### Shock Hazard and Explosion Hazard

- Connect the aluminum field housing to the potential earth (PE) and/or the local ground potential (PML) via the protective ground terminal.

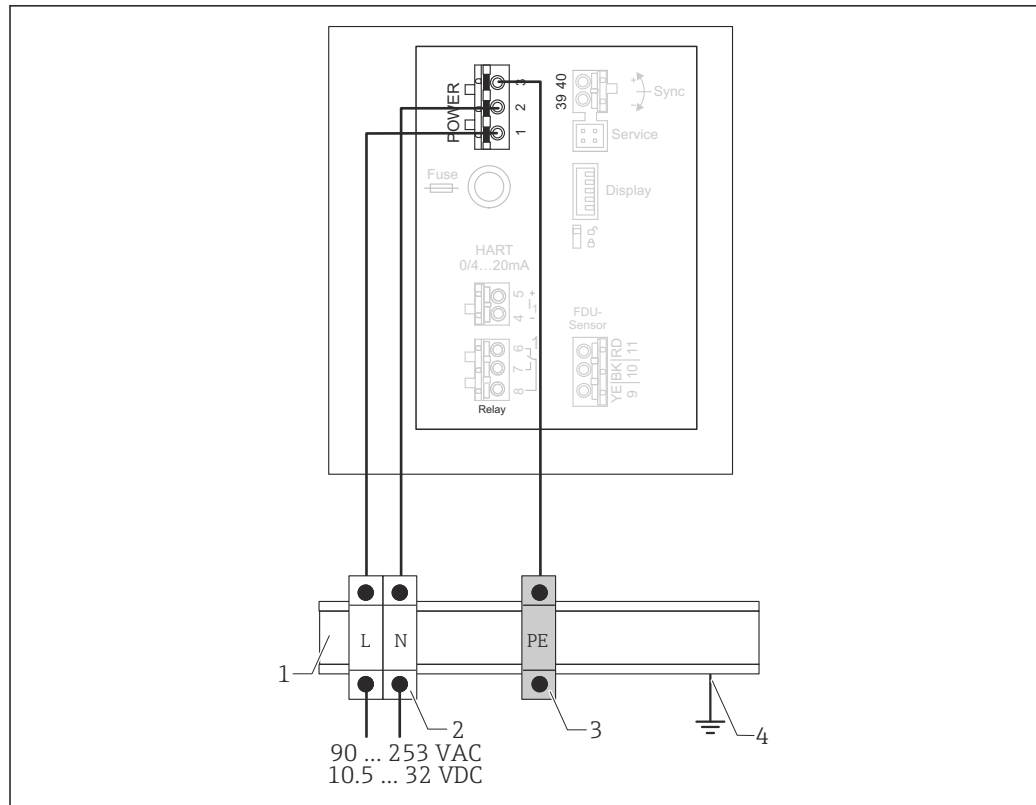


**23** Connection of the power supply in the aluminum field housing

- 1 Potential equalization in aluminum field housing; wired on delivery
- 2 Protective ground terminal strip (with contact to DIN rail)
- 3 Protective ground terminal on outside of field housing
- 4 Power supply

### Connection of the power supply in the DIN rail housing

- i** **Valid for:**  
 Order code 030 (housing, material)  
 Option 2 (DIN rail mounting PBT, IP20)



A0035932

24 Connection of the power supply in the DIN rail housing

- 1 Metal DIN rail in cabinet
- 2 Terminal strip (no contact to DIN rail)
- 3 Protective ground terminal strip (with contact to DIN rail)
- 4 Grounding via DIN rail

### 6.3.2 Sensor connection

#### CAUTION

#### Inadequate potential equalization can compromise electrical safety

- ▶ Connect the yellow/green protective ground of the FDU91F, FDU93 and FDU95 sensors to local potential equalization after a **maximum distance of 30 m (98 ft)**. The can be done in a terminal box, at the transmitter or in the cabinet.

#### NOTICE

#### Interference signals may cause malfunctions

- ▶ Do not route the sensor cables parallel to high-voltage electric power lines or near frequency converters.

#### NOTICE

#### A damaged cable shield may cause malfunctions

- ▶ For pre-terminated cables: connect the black wire (shield) to the "BK" terminal.
- ▶ For extension cables: twist the shield and connect to the "BK" terminal.

#### WARNING

#### Explosion Hazard

- ▶ Do not connect FDU83, FDU84, FDU85 and FDU86 sensors with an ATEX, FM, or CSA certificate to the FMU90 or FMU95 transmitters.
- ▶ For the sensors FDU91F/93/95/96 and FDU83/84/85/86: connect the ground cable (GNYE) to local potential equalization after a maximum distance of 30 m (98 ft). This can be done in the terminal box or at the transmitter or in the cabinet if the distance to the sensor does not exceed 30 m (98 ft).

**NOTICE**

**The evaluation electronics and their direct connections (display/service connector, service interface etc.) are galvanically isolated from the power supply and the communication signals, and are connected to the potential of the sensor electronics.**

- ▶ Pay attention to the potential difference in the case of grounded sensors.
- ▶ If removing the jacket of the sensor cable, take the longest required cable length into consideration.



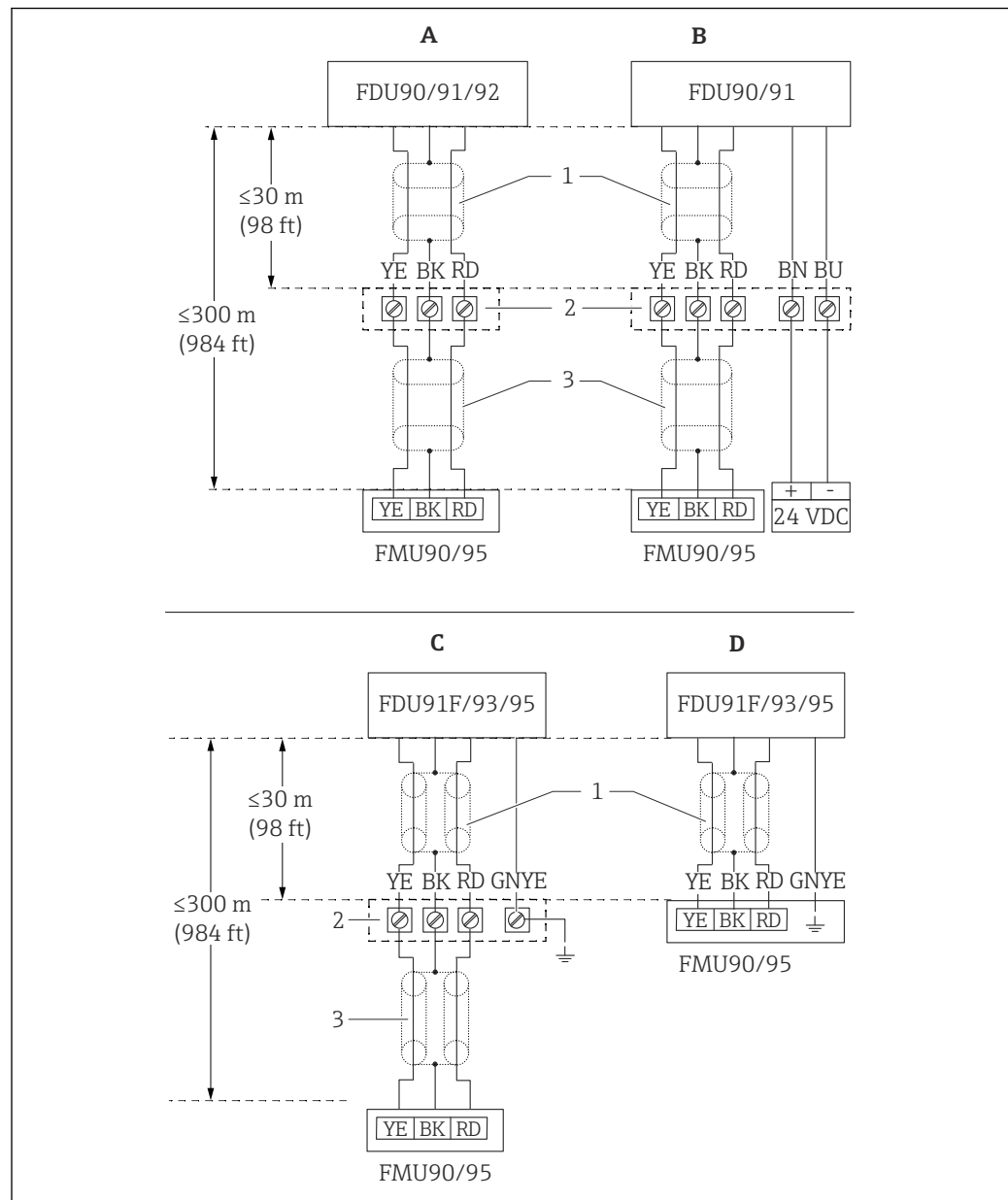
**Further information and the documentation currently available can be found on the Endress+Hauser website: [www.endress.com](http://www.endress.com) → Downloads.**

Sensor documentation:

- TI01469F (FDU90)
- TI01470F (FDU91)
- TI01471F (FDU91F)
- TI01472F (FDU92)
- TI01473F (FDU93)
- TI01474F (FDU95)

Sensors FDU80/80F/81/81F/82/83/84/85/86/96 can no longer be ordered. The Prosonic S transmitter can still be connected if the sensors are already installed.

## Connection diagram for FDU9x → FMU90



A0034900

25 Connection diagram for sensors FDU9x; YE: yellow, BK: black; RD: red; BU: blue; BN: brown; GNYE: green/yellow

- A Without sensor heater
- B With sensor heater
- C Grounding at terminal box
- D Grounding at transmitter FMU90
- 1 Shielding of sensor cable
- 2 Terminal box
- 3 Shielding of extension cable

## Potential equalization of metallic sensors in polycarbonate field housing

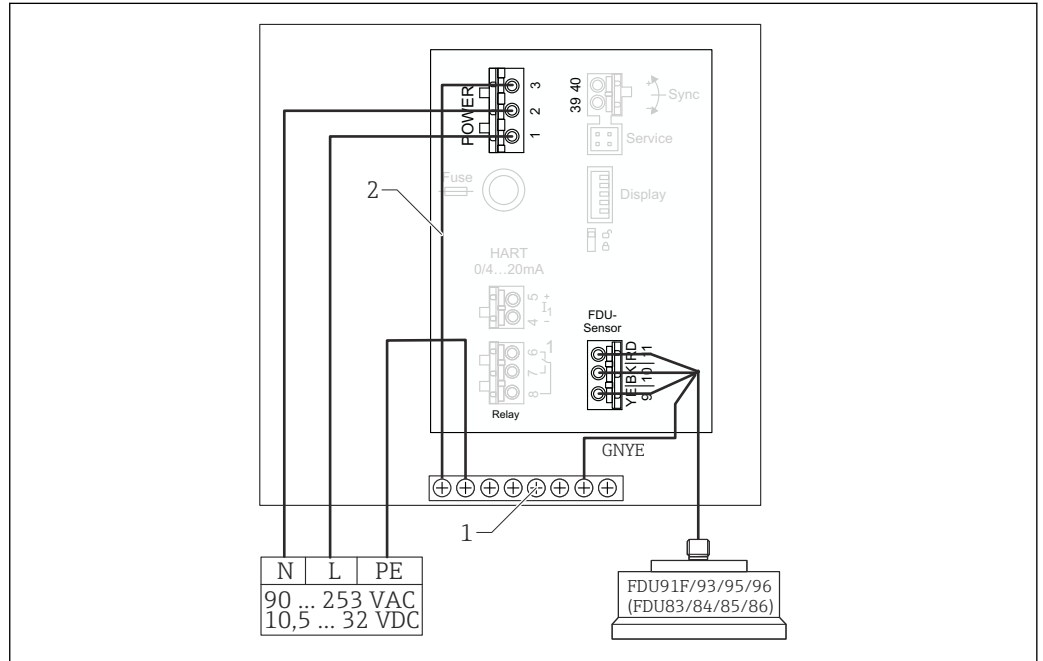
- i** Valid for:
- Order code 030 (housing, material)
  - Option 1 (PC field mounting, IP66 NEMA4x)

**Valid for the following sensors**

- FDU91F
- FDU93
- FDU95

These sensors are no longer available but can be connected to the Prosonic S in existing installations.

- FDU96
- FDU83
- FDU84
- FDU85
- FDU86



26 Potential equalization of metallic sensors in polycarbonate field housing

- 1 Terminal block in field housing for potential equalization
- 2 Potential equalization; wired on delivery.

**Potential equalization of metallic sensors in aluminum field housing**



**Valid for:**

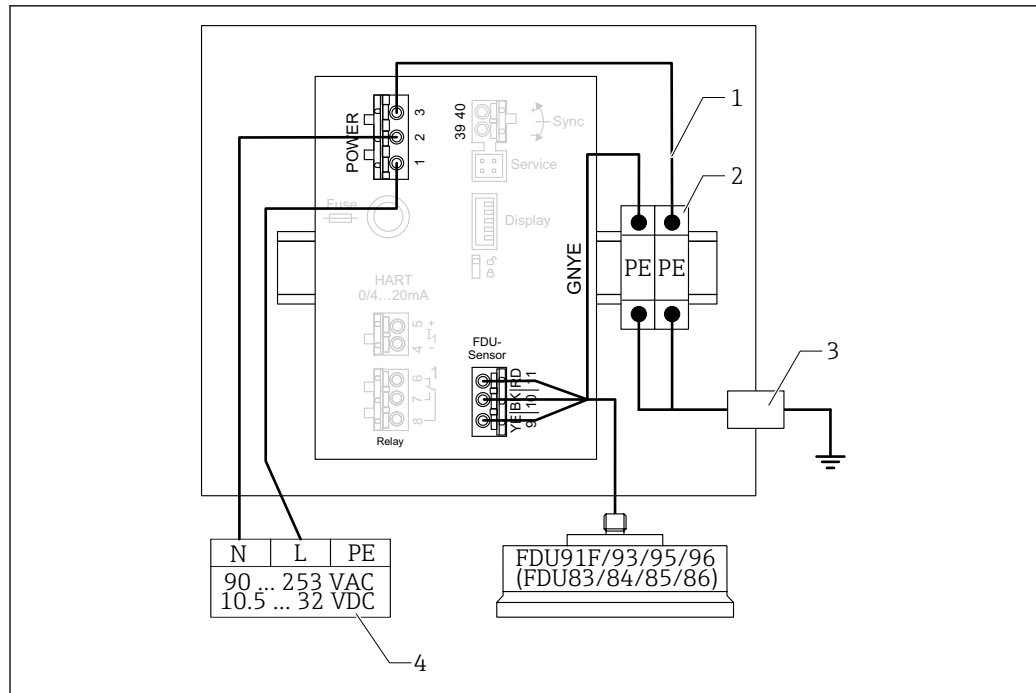
- Order code 030 (housing, material)
- Option 3 (field mounting, aluminum, IP66 NEMA4x)

**Valid for the following sensors**

- FDU91F
- FDU93
- FDU95

These sensors are no longer available but can be connected to the Prosonic S in existing installations.

- FDU96
- FDU83
- FDU84
- FDU85
- FDU86



27 Potential equalization of metallic sensors in aluminum field housing

- 1 Potential equalization in the field housing; wired on delivery
- 2 Protective ground terminal strip (with contact to DIN rail)
- 3 Protective ground terminal on outside of field housing
- 4 Power supply

### Potential equalization of metallic sensors in DIN rail housing

- i** Valid for:  
 Order code 030 (housing, material)  
 Option 2 (DIN rail mounting PBT, IP20)

#### Valid for the following sensors

- FDU91F
- FDU93
- FDU95

These sensors are no longer available but can be connected to the Prosonic S in existing installations.

- FDU96
- FDU83
- FDU84
- FDU85
- FDU86



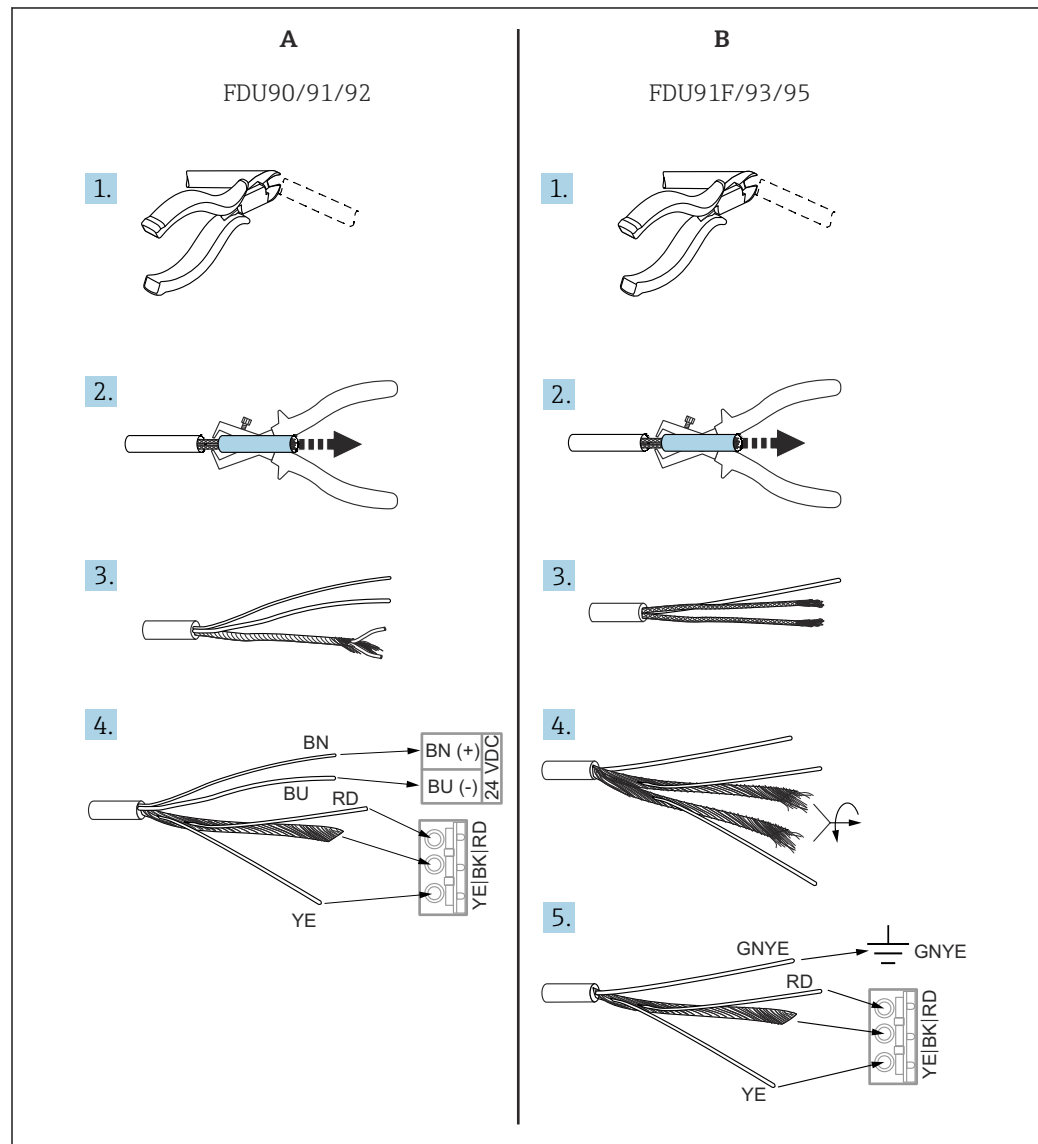


### 6.3.4 Shortening the sensor cable

#### NOTICE

#### Damaged wires or no return conductor may cause malfunctions

- ▶ Do not damage the wires when removing the insulation.
- ▶ After shortening the cable, twist the shielding metal braiding and connect it to the "BK" terminal.
- ▶ If the cable has a protective ground (GNYE), do **not** connect the protective ground to the cable shield.



A0035285

29 Shortening the sensor cable

A FDU90/91/92 sensors

B FDU91F/93/95 sensors

**i** The "BU" (blue) and "BN" (brown) wires are only provided on sensors with a heater.

### 6.3.5 Connection of the sensor heater

#### **i** Valid for FDU90/FDU91:

Order code 035 (heater)

Option B (connection to 24VDC)

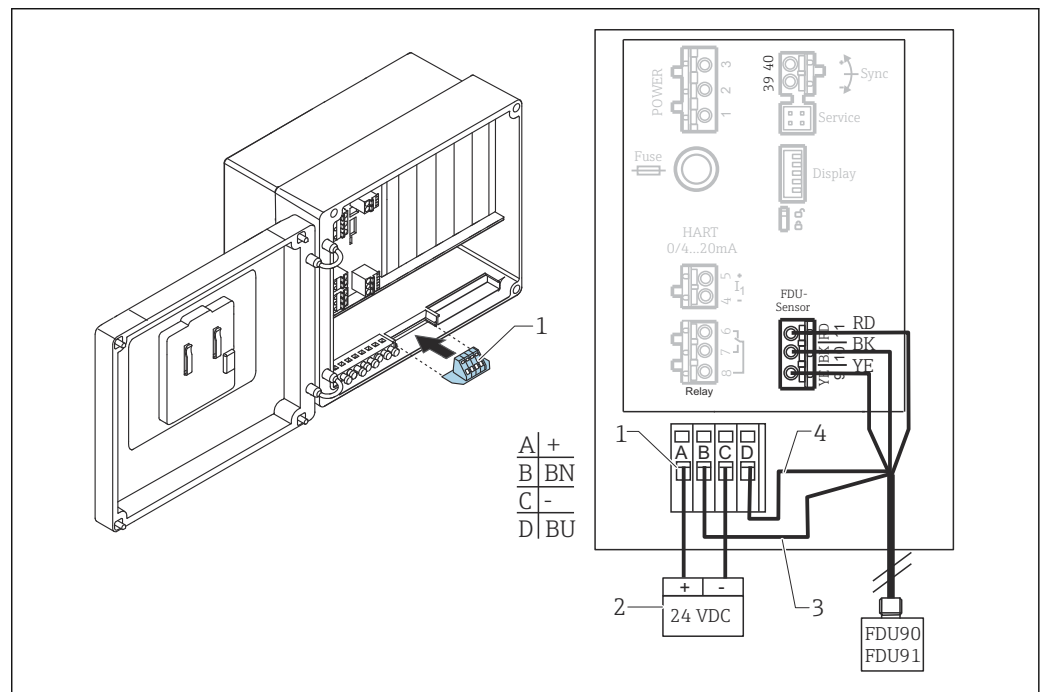
**Technical data for sensor heater**

- **Supply voltage**  
24 V<sub>DC</sub> ± 10 %
- **Residual ripple**  
< 100 mV
- **Current consumption**  
250 mA per sensor

**i** **Temperature compensation with sensor heater**  
If the sensor heater is used, connect an external temperature sensor to correct the sound time-of-flight and assign this temperature sensor to the sensor.

**Connection of the sensor heater in the polycarbonate field housing**

**i** **Valid for:**  
Order code 030 (housing, material)  
Option 1 (PC field mounting, IP66 NEMA4x)



**30** Connection of the sensor heater in the polycarbonate field housing

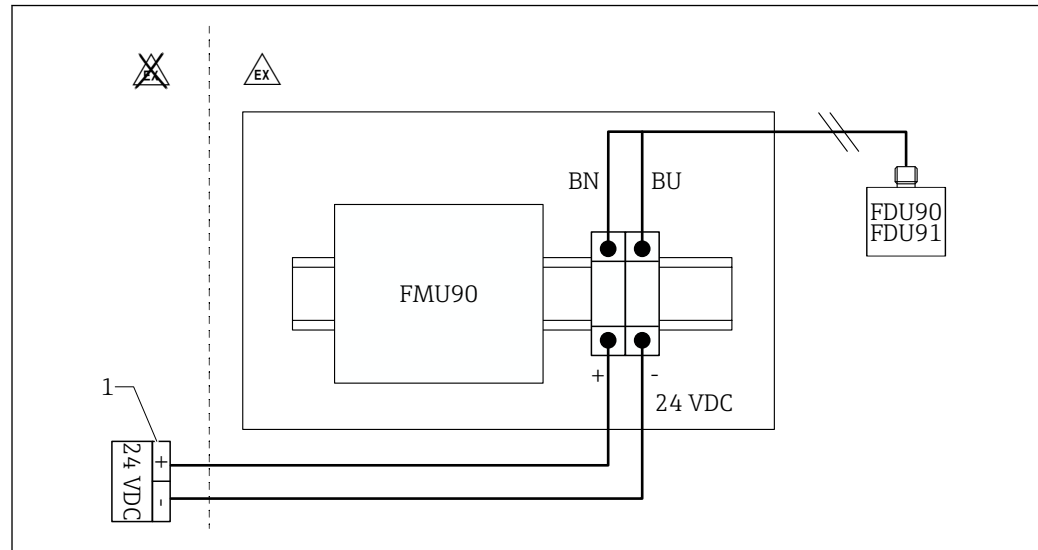
- 1 Terminal module for sensor heater (included in the delivery for the sensors concerned)
- 2 External power supply unit
- 3 Brown wire (BN)
- 4 Blue wire (BU)

**Connection of the sensor heater in the aluminum field housing**

**i** **Valid for:**  
Order code 030 (housing, material)  
Option 3 (field mounting, aluminum, IP66 NEMA4x)

**⚠ WARNING****Explosion Hazard**

- ▶ Install the power supply unit outside the hazardous area.
- ▶ Use a cable that meets the requirements of the zone in which the aluminum field housing is installed.
- ▶ Connect the sensor heater inside the aluminum field housing (or another explosion-proof housing) to the power supply. To do so, install additional terminal blocks on the DIN rail in the housing.
- ▶ Prior to opening the aluminum field housing: switch off the power supply to the sensor heater.



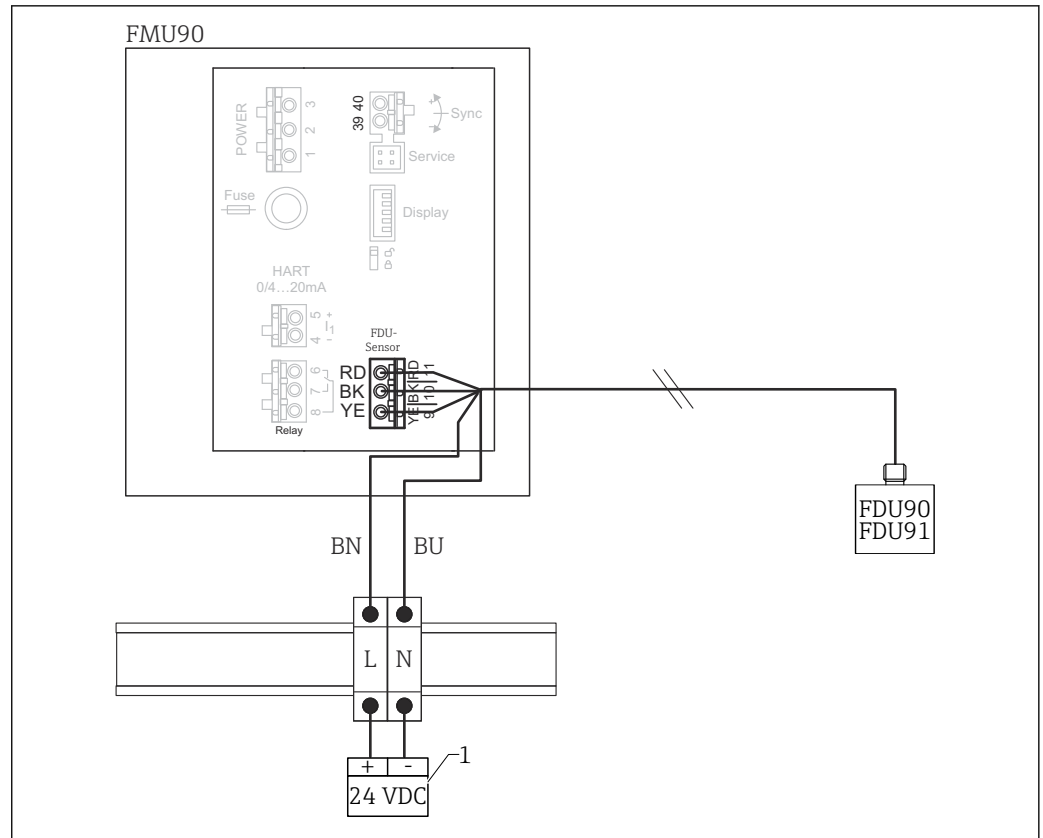
31 Connection of the sensor heater in the aluminum field housing

- 1 External power supply unit  
 BN Brown wire  
 BU Blue wire

**Connection of the sensor heater in the DIN rail housing**

- i** Valid for:  
 Order code 030 (housing, material)  
 Option 2 (DIN rail mounting PBT, IP20)

The supply voltage must be provided in the cabinet, e.g. via a terminal block:



A0032575

32 Connection of the sensor heater via a metal DIN rail in the cabinet

1 External power supply unit

BN Brown wire

BU Blue wire

### 6.3.6 Synchronization terminal

#### Using the GSD files

The synchronization terminal must be used if the sensor cables of several transmitters are routed in parallel. As a result of synchronization, a transmitter cannot receive signals while another transmitter is transmitting signals. This prevents transmission and reception signals from mutually influencing one another.

#### Number of transmitters that can be synchronized

- 20 (in the case of FMU90/FMU95)
- 10 (if synchronizing FMU90/FMU95 with FMU86x)

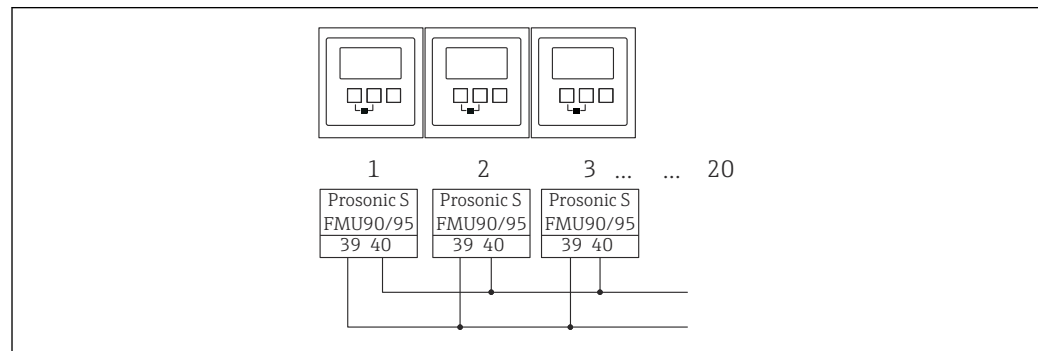
#### Procedure if synchronizing more than 20 transmitters

- Form groups with a maximum of 20 transmitters.
- For transmitters within a group, the sensor cables can run in parallel.
- The sensor cables of different groups must be separated from one another.

### Cable specification for synchronization

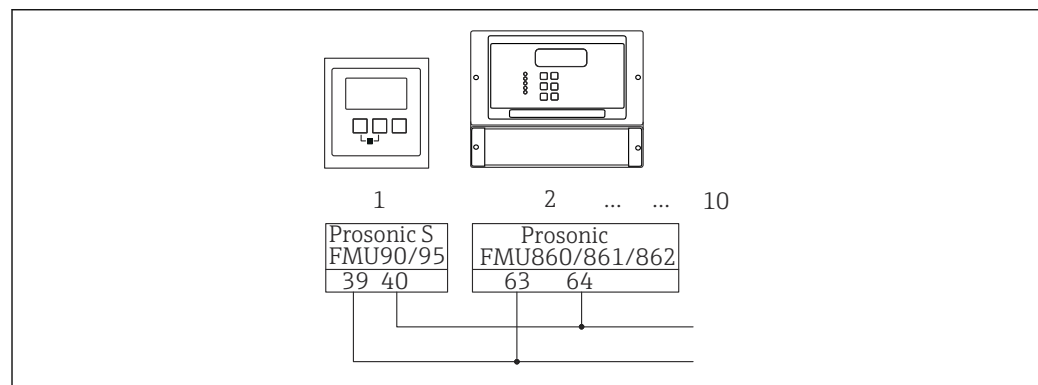
- **Max. length**  
10 m (33 ft) between the individual transmitters
- **Cross-section**  
2 x 0.75 to 2.5 mm<sup>2</sup> (18 to 14 AWG)
- **Cable shield**  
Required for cables > 1 m (3.3 ft); ground the shield.

### Synchronization wiring diagram



A0034901

33 Synchronization of multiple FMU90/FMU95 transmitters

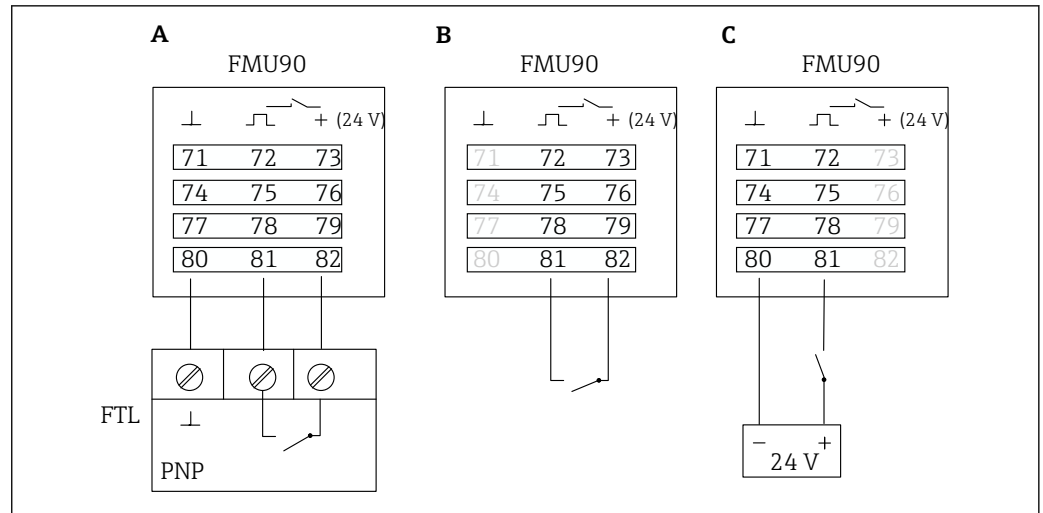


A0034902

34 Synchronization of FMU90/FMU95 with FMU86x

### 6.3.7 Connection of external switches

- i** **Valid for:**  
 Order code 090 (additional input)  
 Option B (4 x point level switch + 1 x temperature)



A0034904

35 Connection of external switches

- A Liquiphant connection  
 B Connection of external switches (passive)  
 C Connection of external switches (active)

### Inputs for external switches

- External switch 1
  - 0  $\hat{=}$  < 8 V or 72 and 73 interconnected
  - 1  $\hat{=}$  > 16 V or 72 and 73 not interconnected
- External switch 2
  - 0  $\hat{=}$  < 8 V or 75 and 76 interconnected
  - 1  $\hat{=}$  > 16 V or 75 and 76 not interconnected
- External switch 3
  - 0  $\hat{=}$  < 8 V or 78 and 79 interconnected
  - 1  $\hat{=}$  > 16 V or 78 and 79 not interconnected
- External switch 4
  - 0  $\hat{=}$  < 8 V or 81 and 82 interconnected
  - 1  $\hat{=}$  > 16 V or 81 and 82 not interconnected

### Maximum short-circuit current

24 V at 20 mA

## 6.3.8 Connection of a Pt100 temperature sensor

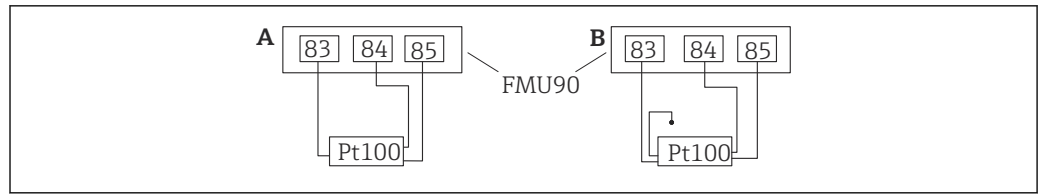
- i** Valid for:  
 Order code 090 (additional input)  
 Option B (4 x point level switch + 1 x temperature)

### **⚠ WARNING**

#### Explosion Hazard

It is not permitted to connect a Pt100 sensor in hazardous areas.

- ▶ In hazardous areas, use an Omnigrad S TR61 with an appropriate approval certificate.



A0034905

36 Connection of a Pt100 temperature sensor

A Pt100 with 3-wire connection

B Pt100 with 4-wire connection (one connector is not used)

**i** The use of a 2-wire connection is not permitted due to insufficient measuring accuracy.

**i** **After connecting the sensor**

Assign the temperature sensor to an ultrasonic sensor via the operating menu:  
Sensor management → Sensor management → US sensor N → Temperature measurement = External temperature

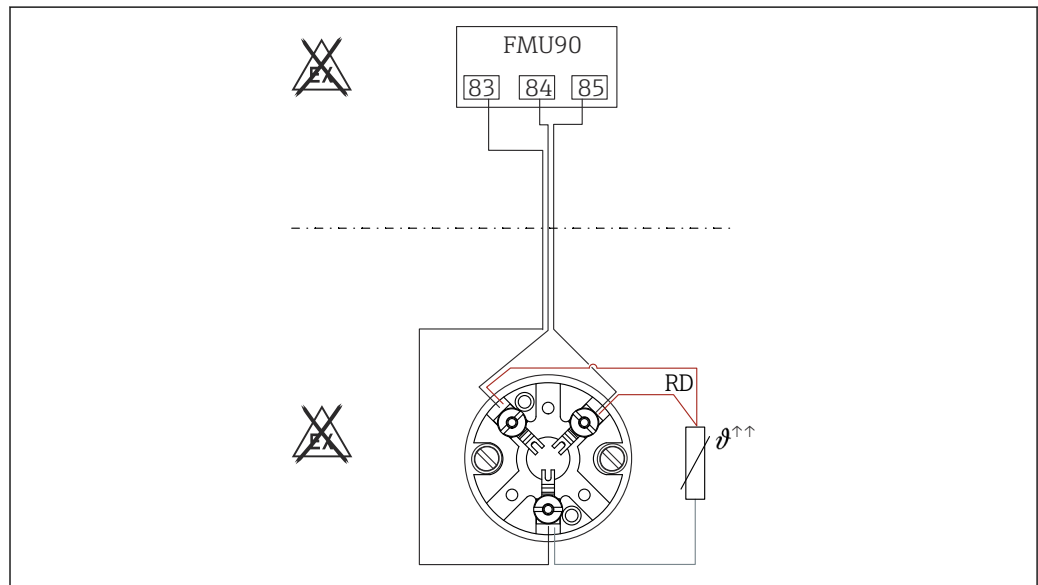
### 6.3.9 Connection of the Omnigrad S TR61 temperature sensor

**i** **Valid for:**

Order code 090 (additional input)

Option B (4 x point level switch + 1 x temperature)

#### Connection of the Omnigrad S TR61 temperature sensor outside hazardous areas



A0039412

37 Connection of the Omnigrad S TR61 outside hazardous areas

RD Wire color = red

#### Omnigrad S models suitable for connection

TR61-A...

#### Additional information

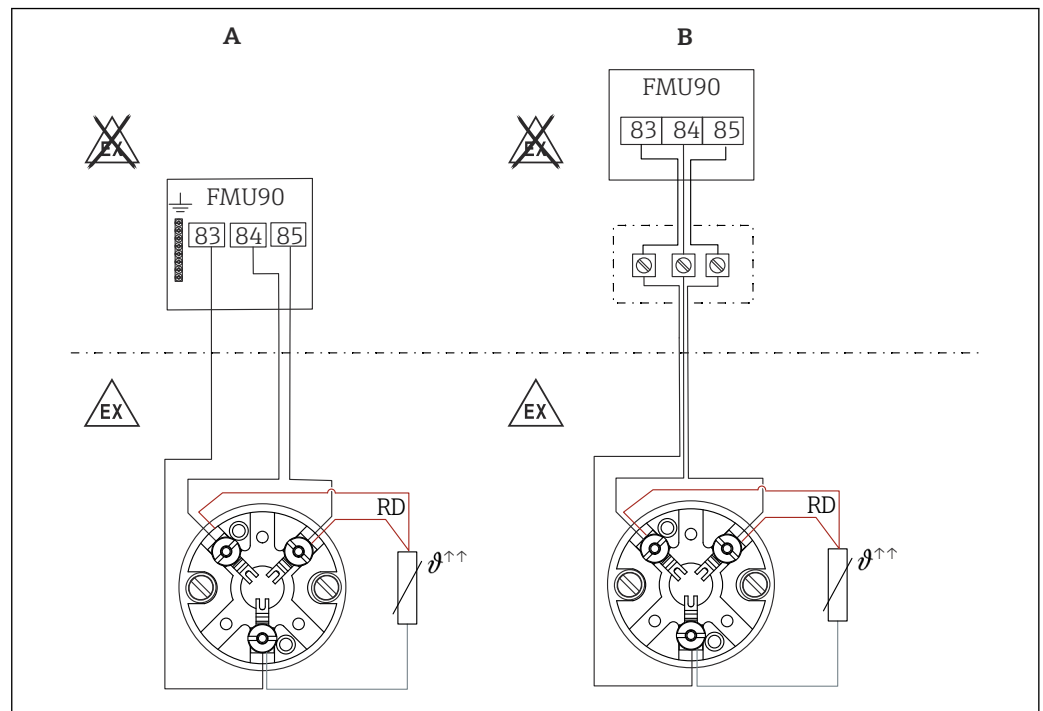
Technical Information TI01029T

**i** **After connecting the sensor**

Assign the temperature sensor to an ultrasonic sensor via the operating menu:  
Sensor management → Sensor management → US sensor N → Temperature measurement = External temperature



### Connection of the Omnigrad S TR61 temperature sensor in hazardous areas



38 Connection of the Omnigrad S TR61 in hazardous areas

A Temperature sensor in hazardous area

B Temperature sensor in hazardous area, with connection at terminal box

RD Wire color = red

#### Omnigrad S models suitable for connection

Depends on the approval required:

- TR61-E\*\*\*\*\*
- TR61-H\*\*\*\*\*
- TR61-M\*\*\*\*\*
- TR61-N\*\*\*\*\*
- TR61-R\*\*\*\*\*
- TR61-S\*\*\*\*\*
- TR61-2\*\*\*\*\*
- TR61-3\*\*\*\*\*

#### Additional information

- Technical Information TIO1029T
- Ex documentation (XA) supplied with the TR61. This is an integral part of the documentation. The installation specifications, connection data and safety instructions listed in this supplementary documentation must be observed.

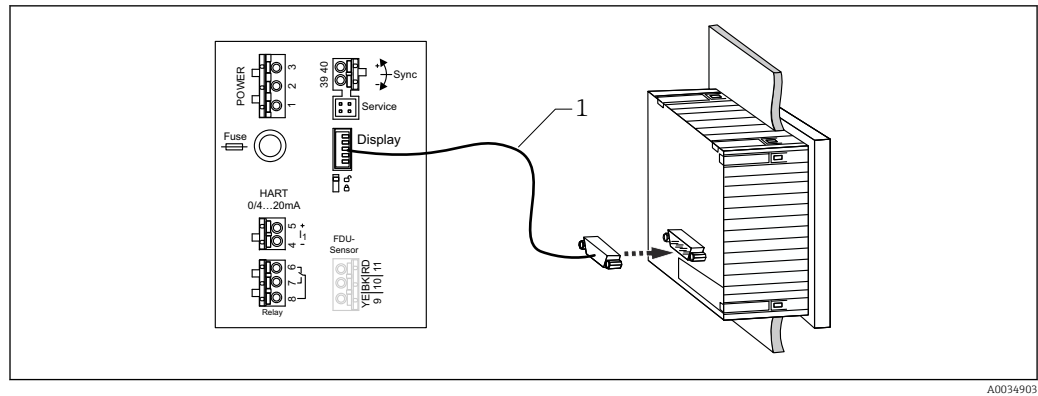
#### **i** After connecting the sensor

Assign the temperature sensor to an ultrasonic sensor via the operating menu:  
Sensor management → Sensor management → US sensor N → Temperature measurement = External temperature

### 6.3.10 Connecting the remote display and operating module

#### **i** Valid for:

Order code 040 (operation)  
Option E (illuminated display + keypad, 96x96, panel mounting, IP65 at front)



A0034903

**39** Connection of the remote display and operating module

1 Pre-terminated connecting cable 3 m (9.8 ft) with display plug (supplied)

### Minimum diameter for cable entry

20 mm (0.79 in)

### 6.3.11 Post-connection check

Is the terminal assignment correct?

For field housing (polycarbonate/aluminum):

Are the cable glands tight?

Is the housing cover securely closed?

For aluminum field housing:

Is the housing connected to protective ground (PE) and/or the local ground potential (PML)?

If the power supply is switched on:

Is the LED for the operating state lit green?

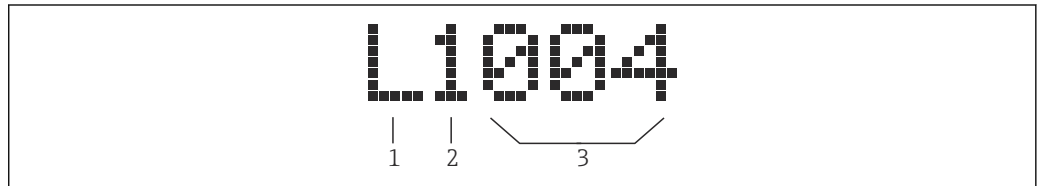
If a display module is attached: does anything appear on the screen?

## 7 Operating options

### 7.1 Structure and function of the operating menu

#### 7.1.1 Submenus and parameter sets

Parameters that belong together are grouped into one parameter set in the operating menu. Each parameter set is identified by a five-digit code.



40 Identification of the parameter sets:

- 1 Submenu
- 2 Number of the associated input or output (for multi-channel devices)
- 3 Number of the parameter set within the submenu

#### 7.1.2 Types of parameter

##### Read-only parameters

- Symbol:
- Cannot be edited.

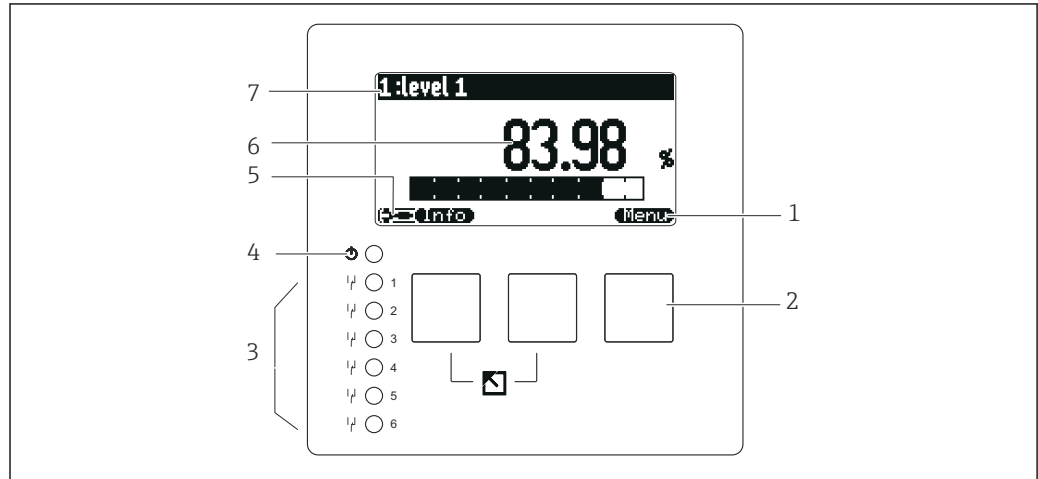
##### Editable parameters

- Symbol:
- Can be opened for editing by pressing

## 7.2 Access to the operating menu via the local display

### 7.2.1 Display and operating elements

#### Elements of the display and operating module



A0034921

- 1 Soft key symbols
- 2 Keys
- 3 Light emitting diodes to indicate the relay switching states
- 4 LED to indicate the operational state
- 5 Display symbol
- 6 Parameter value with unit (here: primary value)
- 7 Name of displayed parameter

#### Symbols for operating state

- **User operating state:**  
User parameters can be edited. Service parameters cannot be edited.
- **Diagnostics operating state:**  
Service interface is connected.
- **Service operating state:**  
User parameters and service parameters can be edited.
- **Locked operating state:**  
All parameters are locked and cannot be edited.





#### Symbols indicating the editing state of the current parameter

- **Read-only parameter**  
The parameter **cannot** be edited in the current device operating state.
- **Editable parameter**  
The parameter can be edited.

**Scroll symbols****Scroll list available**

Is displayed if the picklist contains more options than can be shown on the display. All the options in the list can be displayed by pressing  or  repeatedly.

**Navigation in the envelope curve display (select the "Cyclic" display format)**

-  Move left
-  Move right
-  Zoom in
-  Zoom out

**LED for operating state**









- **Lit green**  
Normal operation; no errors detected
- **Flashes red**  
Warning: an error has been detected, but measurement continues. The reliability of the measured value cannot be guaranteed.
- **Lit red**  
Alarm: an error has been detected. Measurement is interrupted. The measured value adopts the value specified by the user ("Output on alarm").
- **Off**  
No supply voltage.



**Light emitting diodes for relays**


- **Lit yellow**  
Relay energized
- **Off**  
Relay de-energized (quiescent state)


**Keys (soft key operation)**

The current key function is indicated by soft key symbols above the key.

-  Moves the selection bar downwards in a picklist.
-  Moves the selection bar upwards in a picklist.
- 
  - Opens the selected submenu, parameter set or parameter.
  - Confirms the edited parameter value.
-  Goes to the previous parameter set within the submenu.
-  Goes to the next parameter set within the submenu.
-  Selects the option in a picklist which is currently marked by the selection bar.
-  Increases the selected digit of an alphanumeric parameter.
-  Decreases the selected digit of an alphanumeric parameter.

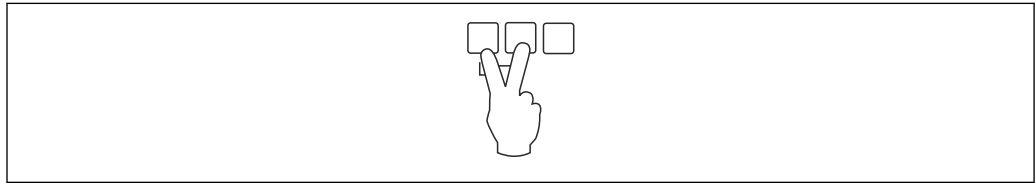
- 
  - Opens the list of errors which are currently detected.
  - If a warning is present, the symbol flashes.
  - If an alarm is present, the symbol is displayed permanently.
- 

Displays the next page of measured values (only available if several pages of measured values have been defined; see the "Display" menu).
- 

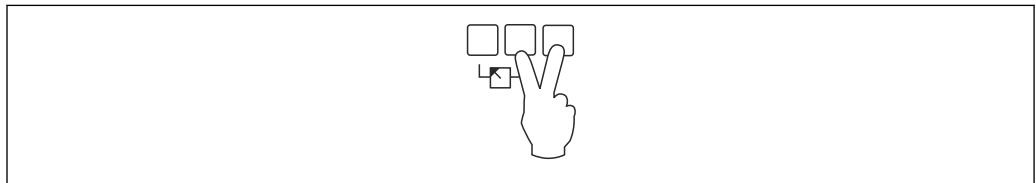
Opens the "Shortcut" menu, which contains the most important read-only parameters.
- 

Opens the main menu from where you can access **all** the device parameters.

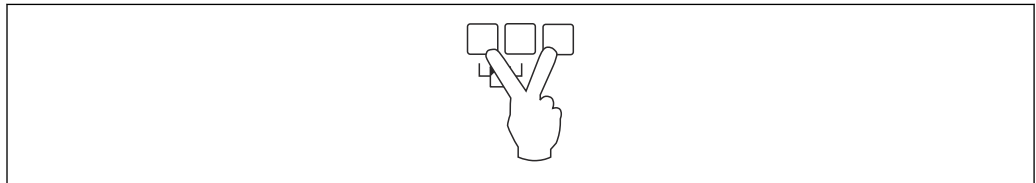
### General key combinations



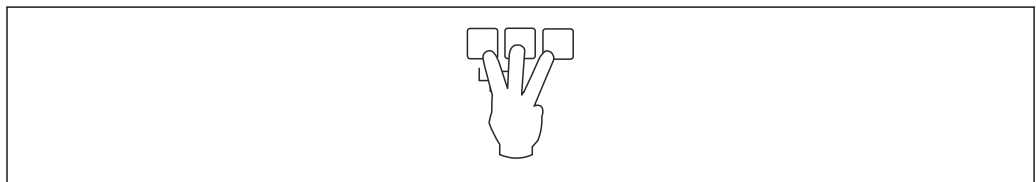
 41 *Escape*



 42 *Increase contrast*



 43 *Reduce contrast*



 44 *Locking*


### 7.2.2 Calling the operating menu from a standard screen (measured value display)

- **Left button ("Info") : shortcut menu**

Provides fast access to the most important parameters:

- Daily counter
- Tag marking
- Envelope curve
- Language
- Device information
- Password/reset

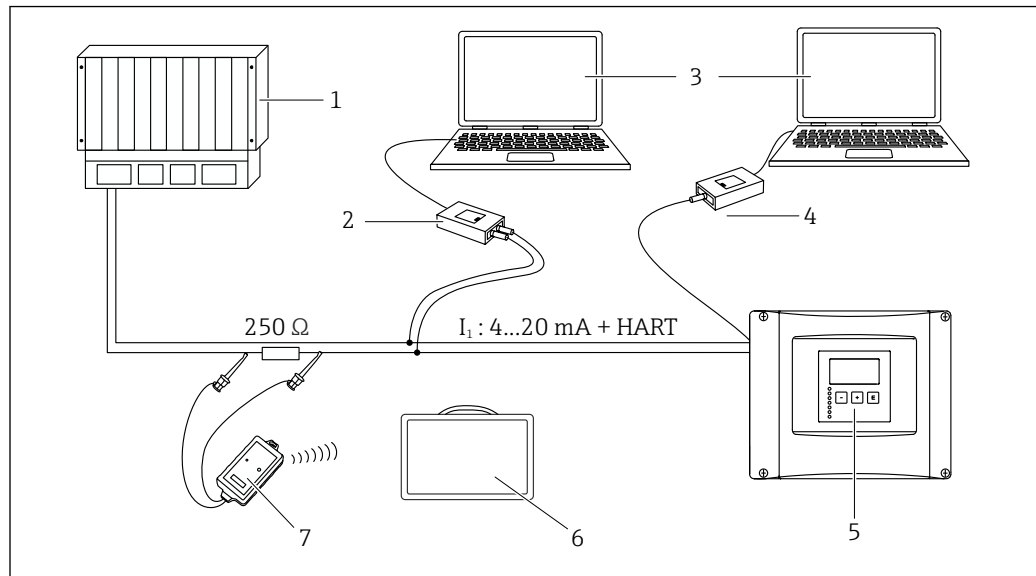
- **Middle key: current errors**

If the self-monitoring system detects one or more errors, the  soft key symbol appears above the middle key. When the button is pressed, a list of all the errors currently pending is displayed.

- **Right key ("Menu"): main menu**

Contains all the parameters of the device, subdivided into submenus and parameter sets.

## 8 System integration



A0034891

45 HART system integration

- 1 PLC, API
- 2 Commubox FXA195 (USB), HART protocol
- 3 DeviceCare/FieldCare
- 4 Commubox FXA291 (service interface)
- 5 Display and operating module on Prosonic S (if available)
- 6 Field Xpert SMT70/SMT77
- 7 VIATOR Bluetooth modem with connecting cable



## 9 Commissioning

### 9.1 Preparatory steps

#### 9.1.1 Resetting to factory settings (Reset)

**NOTICE**

A reset may negatively impact the measurement.

- ▶ Perform a new basic setup after resetting the device.

#### Using the reset function

It is always advisable to reset the device if you want to use a device with an unknown history.

#### Effects of a reset

- All the parameters are reset to the factory setting.
- Linearization is disabled. If a linearization table is present it is not deleted, however, and can be reactivated if necessary.
- Interference echo suppression (mapping) is disabled. The mapping curve is not deleted, however, and can be reactivated if necessary.

#### Effect on a 5-point linearization protocol

With the creation of a 5-point linearity protocol, the measuring system (FDU9x sensor and FMU9x transmitter) is adjusted and the measuring accuracy is optimized for the specified range.

The **Zero distance** service parameter is fine-adjusted for this adjustment. Following a reset, this parameter must be re-configured in the Service menu according to the data indicated on the 5-point linearity protocol for the FDU9x sensor. Please contact Endress+Hauser customer service for this purpose.

#### Performing the reset

1. Navigate to **Device properties** → **Password/reset** → **Reset**.
2. Enter "333".

### 9.2 Switching on the measuring device

#### Parameters that need to be configured when the device is switched on for the first time

- **Language**  
Select the language of the display.
- **Length unit**  
Select the unit of length in which the distance is measured.
- **Temperature unit**  
Select the unit for the sensor temperature.
- **Operating mode**  
The possible options depend on the device version and installation environment.
- **Controls**  
Choose whether pump control or rake control should be configured.

## 9.3 Configuring the measuring device

### 9.3.1 Navigation to the menu "Basic setup"

**Operating mode: "Level+flow" or "Flow"**

Flow → Flow → Flow N → Basic setup

**Operating mode: "Flow+backwater detection"**

Flow → Flow 1 +backwater → Flow → Basic setup

### 9.3.2 Parameter set "Sensor selection"

**Navigation**

Basic setup → Sensor selection

**Parameter**

▪ **Input**

Assign a sensor to the channel.

▪ **Sensor selection**

Specify the sensor type.

Select the **Automatic** option for FDU9x sensors.

Select the **Manual** option for FDU8x sensors.

▪ **Detected**

Only displayed if **Sensor selection = Automatic**

Displays the sensor type detected automatically.

### 9.3.3 Parameter set "Linearization"

#### Purpose of linearization

To calculate the flow Q from the measured upstream level h.

#### Navigation

Basic setup → Linearization

#### Parameters

##### ■ Type

- "Flume/weir" option  
Select this option to use a pre-programmed linearization curve.
- "Table" option  
Select this option to enter a linearization table of your choice.
- "Formula" option  
Select this option to use a flow formula:  $Q = C (h^\alpha + \gamma h^\beta)$

##### ■ Flow unit

Specify the unit for the linearized value.

##### ■ Curve

Only displayed if **Type = Flume/weir**.  
Specify the shape of the flume or weir in the first step.  
Then specify the size of the flume or weir in the next step.

##### ■ Width

Only displayed if **Type = Rectangular weir, NFX or Trapezoidal weir**  
Select the width of the weir.

##### ■ Edit

Only displayed if **Type = Table**.  
Opens the **Edit** parameter set to enter the linearization table.

##### ■ Status table

Activates or deactivates the linearization table.

##### ■ alpha, beta, gamma, C

Only displayed if **Type = Formula**.  
Assign suitable values to the parameters of the flow formula.

##### ■ Maximum flow

Confirm the value displayed for the maximum flow of the flume or weir or enter a suitable value.

### 9.3.4 Table editor



Linearization table conditions:

- Up to 32 "Level h/flow Q" value pairs.
- Monotonically increasing or decreasing. (The monotonicity is checked when the table is activated.)
- Once entered, must be activated by the **Status table** parameter.

A	B	C
1	0,0000	0,0000
2	0,0000	0,0000
3	0,0000	0,0000
...	0,0000	0,0000

A0040751






- A Line number
- B Column for level
- C Column for flow

1. Press to jump to the next line.
2. Press to jump to the previous line.
3. Press to open the marked line for processing.

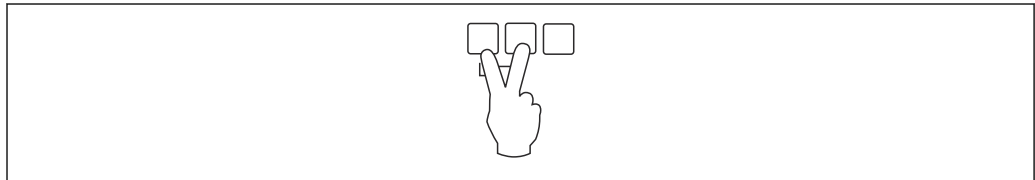
A	B	C
1	0,0000	0,0000
2	0,0000	0,0000
3	0,0000	0,0000
...	0,0000	0,0000

A0040752

A Line number  
 B Column for level  
 C Column for flow

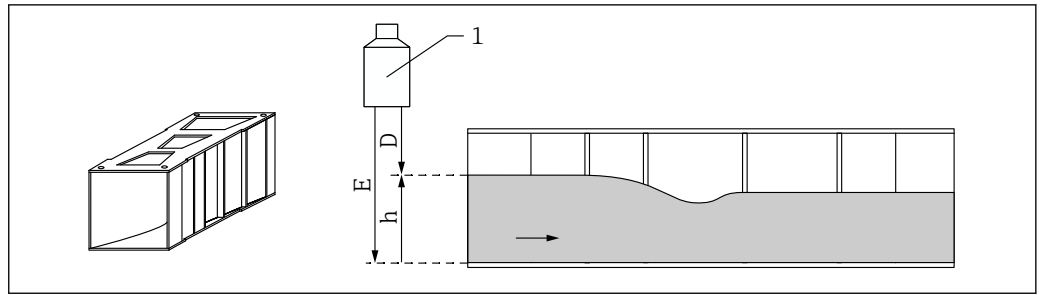
1. Press  or  to navigate inside the table.
2. Press  or  to navigate inside the column with the line numbers.
3. Press  to delete the entire line, insert or move a line.

 Press **Escape** to return to the previous step.



A0032709

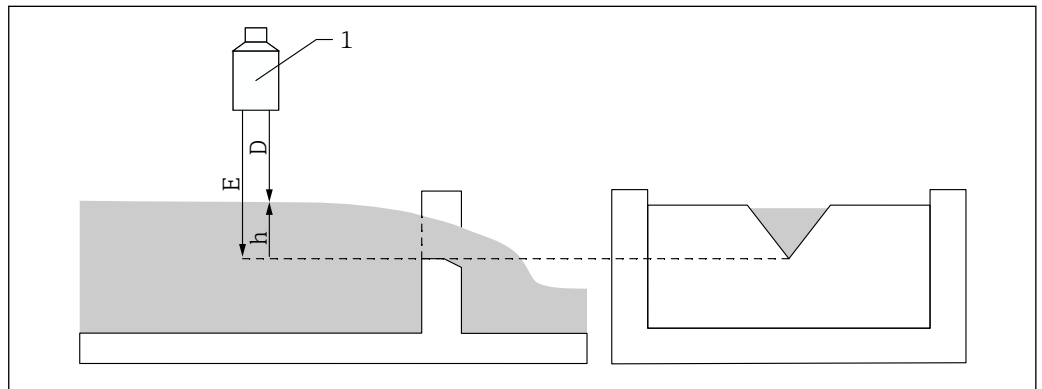
### 9.3.5 Parameter set "Empty calibration"



A0035535

46 Empty calibration for flume

- 1 Ultrasonic sensor
- D Measured distance
- h Upstream level
- E Empty calibration: "Empty E"



A0035536

47 Empty calibration for weirs

- 1 Ultrasonic sensor
- D Measured distance
- h Upstream level
- E Empty calibration: "Empty E"

#### Navigation

Basic setup → Empty calibration

#### Parameters

##### ■ Empty E

- For flumes: specify the distance between the sensor membrane and the flume floor at the narrowest point.
- For weirs: specify the distance between the sensor membrane and the lowest point of the weir crest.

##### ■ Blocking distance

Indicates the blocking distance BD of the sensor.

### 9.3.6 Parameter set "Flow N"

#### Navigation

Basic setup → Flow N

**Parameter**■ **Flow N**

Displays the flow Q currently measured for verification purposes.

■ **Level**

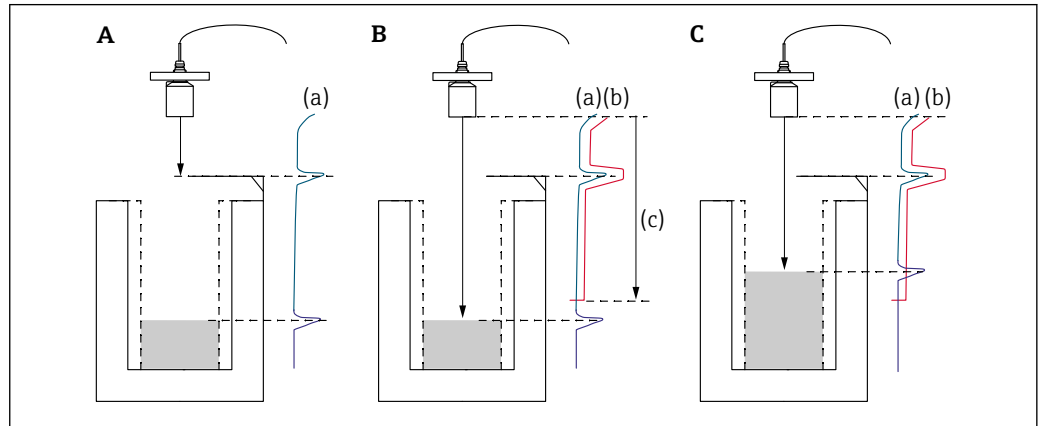
Displays the level h currently measured for verification purposes.

■ **Distance**

Displays the distance D currently measured for verification purposes.

### 9.3.7 Parameter set "Check value"

- i
  - This parameter set starts interference echo suppression (mapping).
  - To record all the interference echoes, perform mapping at the minimum level possible (ideally in an empty channel).
  - If it is not possible to empty the channel during commissioning, record preliminary mapping when the channel is partially filled. Repeat mapping when the level reaches approximately 0% for the first time.



48 Operating principle of the interference echo suppression (mapping) function

- A The echo curve (a) contains an interference echo and the level echo. Without mapping, the interference echo might also be evaluated.
- B Mapping generates the mapping curve (b). This suppresses all the echoes that are inside the range of mapping (c).
- C Afterwards, only echoes that are higher than the mapping curve are evaluated. The interference echo is below the mapping curve and is therefore ignored (not evaluated).

#### Navigation

Basic setup → Check value

#### Parameters

##### ■ Distance

Displays the distance  $D$  currently measured between the sensor membrane and the surface of the liquid.

##### ■ Check distance

Compare the distance displayed with the actual value and enter the result of the comparison. Based on the entry, the device automatically determines the range of mapping.

##### ■ Distance = ok

The displayed distance and actual distance match.

→ Continue with the parameter set **LVL N dist. map..**

##### ■ Dist. too small

The displayed distance is smaller than the actual distance.

→ Continue with the parameter set **LVL N dist. map..**

##### ■ Dist. too big

The displayed distance is larger than the actual distance.

→ Mapping is not possible.

→ Setup for sensor N ends.

##### ■ Dist. unknown

Actual distance is unknown.

→ Mapping is not possible.

→ Setup for sensor N ends.

##### ■ Manual

The range of mapping is to be defined manually.

→ Continue with the parameter set **LVL N dist. map..**

### 9.3.8 Parameter set "Distance mapping"

#### Navigation

Basic setup → Check value → Distance mapping

#### Parameters

- **Actual distance**

Displays the distance D currently measured between the sensor membrane and the surface of the liquid.

- **Range of mapping**

Specifies the range, starting from the sensor membrane, in which mapping is performed.

- If **Check distance = Distance = Ok** or **Dist. too small**:

Confirm the preset value.

- If **Check distance = Manual**:

Enter the desired mapping range.

- **Start mapping**

Select **Yes** to start recording the mapping curve.

→ The **Flow N status** parameter set appears.

→ If the displayed distance is still too small: keep recording mapping curves until the displayed distance and the actual distance match.

- **Status**

Specifies the mapping status:

- **Enable map**

The mapping curve is taken into consideration during signal evaluation.

- **Disable map**

The mapping curve is not taken into consideration during signal evaluation but remains stored in the device.

- **Delete map**

The mapping curve is deleted.

### 9.3.9 Parameter set "US sensor N"



For multi-channel devices: disable unused sensor inputs in the **US sensor N** parameter set.

#### Navigation

Sensor management → FDU sensor N → Sensor operation

#### Parameter "Sensor operation"

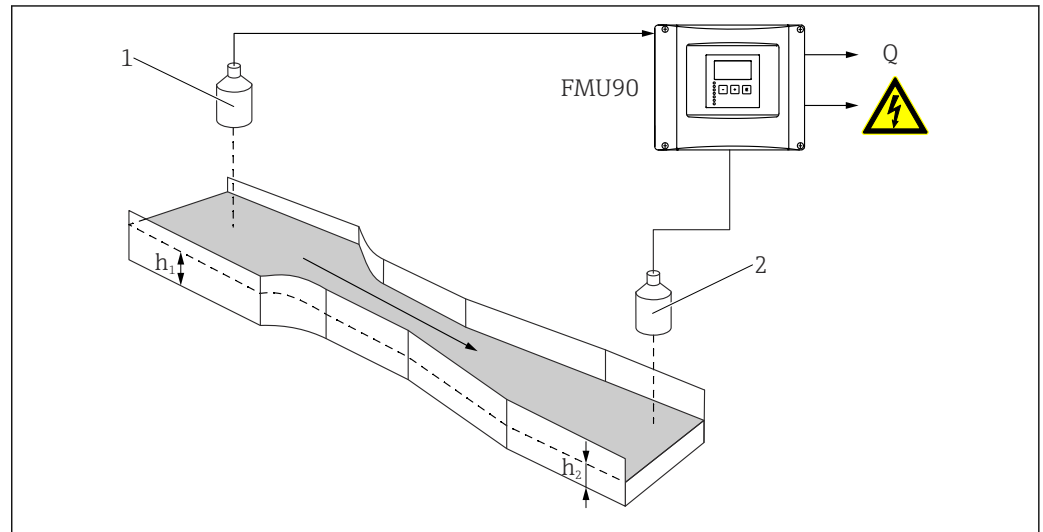
Switch sensor N on or off.



## 9.4 Advanced settings

### 9.4.1 Configuration of backwater or dirt detection

#### General principles



49 Backwater detection with two ultrasonic sensors

- 1 Upstream sensor
- $h_1$  Upstream level
- 2 Downstream sensor
- $h_2$  Downstream level

Flow measurement can be compromised by backwater on the downstream side or by dirt within the flume. These problems can be detected by the backwater and dirt detection function. Two sensors are required for backwater and dirt detection - one on the upstream side and the other on the downstream side. The device evaluates the ratio of the downstream level  $h_2$  to the upstream level  $h_1$ .

#### Position of the downstream sensor

Mount the sensor on the downstream side at a sufficient distance from the flume discharge point. Select the measuring point in such a way that the surface of the water is calm and the level is not influenced by the flume.

#### Backwater detection

The device detects the buildup of backwater when the ratio  $h_2/h_1$  exceeds a critical value (typically 0.8 for Venturi flumes). It then continuously reduces the displayed flow to 0. In addition, a backwater alarm relay can be configured that signals an alert when backwater builds up.

#### Dirt detection

Dirt within the flume is detected if the ratio  $h_2/h_1$  drops below a critical value (typically 0.1). A dirt alarm relay can be configured that signals an alert when there is dirt in the flume.

#### Setup sequence

1. Navigate to **Flow** → **Flow 1 +backwater** → **Flow** → **Basic setup**
2. Configure the upstream sensor (flow measurement).
3. Navigate to **Flow** → **Flow 1 +backwater** → **Backwater** → **Basic setup**

4. Configure the downstream sensor (backwater or dirt detection).

#### Parameter set "Backwater sensor selection"

##### Navigation

Flow → Flow 1 +backwater → Backwater → Basic setup → Backw. sensor sel.

##### Parameter

- **Input**  
Assign the downstream sensor to the channel.
- **Sensor selection**  
Specify the sensor type.  
Select the **Automatic** option for FDU9x sensors.
- **Detected**  
Only displayed if **Sensor selection = Automatic**  
Displays the sensor type detected automatically.

#### Parameter set "Backwater empty calibration"

##### Navigation

Flow → Flow 1 +backwater → Backwater → Basic setup → Backw. empty calibration

##### Parameter

- **Empty E**  
Specify the distance between the sensor membrane and the flume floor.
- **Blocking distance**  
Indicates the blocking distance BD of the sensor.

#### Parameter set "Backwater detection"

##### Navigation

Flow → Flow 1 +backwater → Backwater → Basic setup → Backw.detection

##### Parameter "Ratio B"

Specify the upper limit B for the ratio  $h_2/h_1$ .  
Backwater is reported if  $h_2/h_1 > B$ .

#### Parameter set "Dirt detection"

##### Navigation

Flow → Flow 1 +backwater → Backwater → Basic setup → Dirt detection

##### Parameter "Ratio D"

Specify the lower limit D for the ratio  $h_2/h_1$ .  
Dirt in the flume is reported if  $h_2/h_1 < D$ .

#### Parameter set "Backwater"

##### Navigation

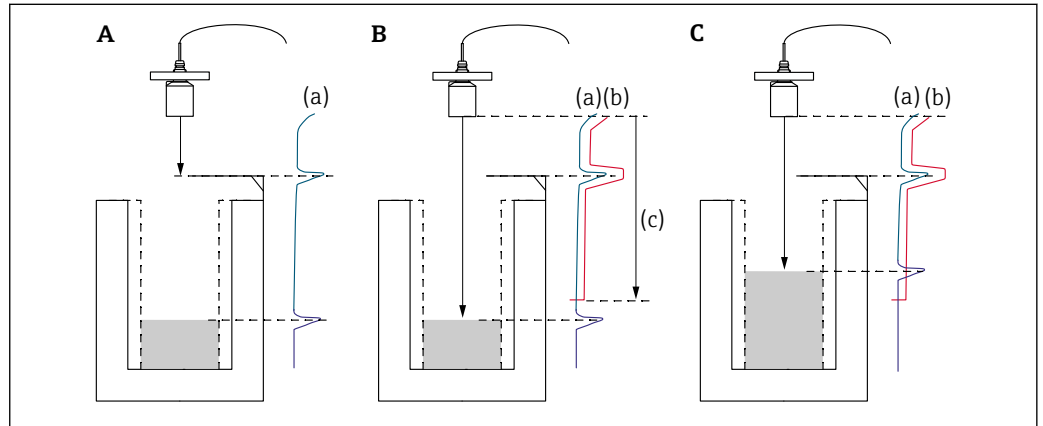
Flow → Flow 1 +backwater → Backwater → Basic setup → Backwater

##### Parameter

- **Act. backw. level**  
Displays the current value of the downstream level  $h_2$ .
- **Act. flow level**  
Displays the current value of the upstream level  $h_1$ .
- **Act. ratio**  
Displays the current value for the ratio  $h_2/h_1$ .
- **Flow 1**  
Displays the flow currently measured.

### Parameter set "Backwater check value"

- i
  - This parameter set starts mapping (interference echo suppression) for the downstream sensor.
  - To record all the interference echoes, perform mapping at the minimum level possible (ideally in an empty channel).
  - If it is not possible to empty the channel during commissioning, record preliminary mapping when the channel is partially filled. Repeat mapping when the level reaches approximately 0% for the first time.



**50** Operating principle of the mapping (interference echo suppression) function

- A The echo curve (a) contains an interference echo and the level echo. Without mapping, the interference echo would also be evaluated.
- B Mapping generates the mapping curve (b). This suppresses all the echoes that are inside the range of mapping (c).
- C Afterwards, only echoes that are higher than the mapping curve are evaluated. The interference echo is below the mapping curve and is therefore ignored (not evaluated).

### Navigation

Flow → Flow 1 +backwater → Backwater → Basic setup → Backw. check value

### Parameter

#### ▪ Distance

Displays the distance D currently measured between the sensor membrane and the surface of the liquid.

#### ▪ Check distance

Compare the distance displayed with the actual value and enter the result of the comparison. Based on the entry, the device automatically determines the range of mapping.

##### ▪ Distance = ok

The displayed distance and actual distance match.  
→ Continue to the **Backwater mapping** parameter set.

##### ▪ Dist. too small

The displayed distance is smaller than the actual distance.  
→ Continue to the **Backwater mapping** parameter set.

##### ▪ Dist. too big

The displayed distance is larger than the actual distance.  
→ Mapping is not possible.  
→ Downstream sensor setup ends.

##### ▪ Dist. unknown

Actual distance is unknown.  
→ Mapping is not possible.  
→ Downstream sensor setup ends.

##### ▪ Manual

The range of mapping is to be defined manually.  
→ Continue to the **Backwater mapping** parameter set.

**Parameter set "Backwater mapping"****Navigation**

Flow → Flow 1 +backwater → Backwater → Basic setup → Backwater mapping

**Parameter**

- **Actual distance**

Displays the distance D currently measured between the sensor membrane and the surface of the liquid.

- **Range of mapping**

Specifies the range, starting from the sensor membrane, in which mapping is performed.

- If **Check distance = Distance = Ok** or **Dist. too small**:

Confirm the preset value.

- If **Check distance = Manual**:

Enter the desired mapping range.

- **Start mapping**

Select **Yes** to start recording the mapping curve.

→ The **Backw. status** parameter set appears.

→ If the displayed distance is still too small: keep recording mapping curves until the displayed distance and the actual distance match.

- **Status**

Specifies the mapping status:

- **Enable map**

The mapping curve is taken into consideration during signal evaluation.

- **Disable map**

The mapping curve is not taken into consideration during signal evaluation but remains stored in the device.

- **Delete map**

The mapping curve is deleted.

**Parameter set "Relay allocation"****Navigation**

Relay/controls → Relay configurat. → Relay N

**Parameter**

- **Function**

Select the **Alarm/diagnost.** option.

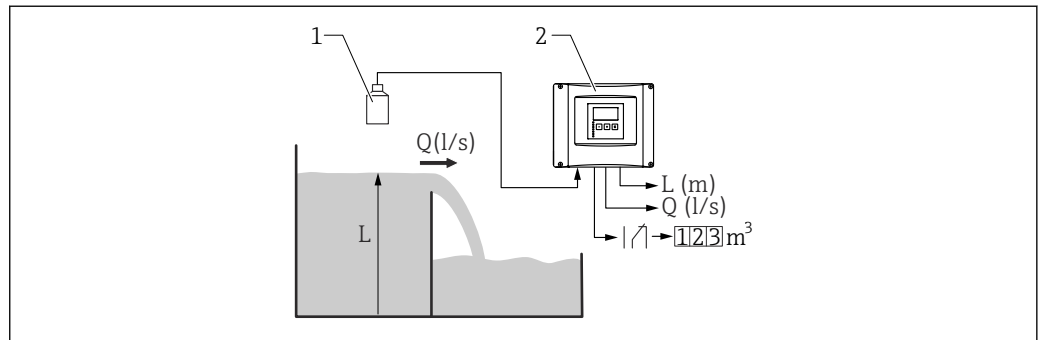
- **Select function**

Select the **Alarm/diagnost.** option.

- **Function**

Select the **Backwat. alarm** or **Dirt alarm** option.

### 9.4.2 Configuring simultaneous level and flow measurement with one sensor



51 Simultaneous level and flow measurement with one sensor

- 1 Sensor
- 2 Prosonic S transmitter
- L Level
- Q Flow

1. Navigate to: **Device properties** → **Operating param.** → **Operating mode**
2. Select the **Level + flow** option.
3. Switch to the **Level** menu. In this menu, configure level measurement, including mapping.
4. Switch to the **Flow** menu. In this menu, configure flow measurement. It is not necessary to configure mapping here.

### 9.4.3 Configuration of flow counter parameters

#### Navigation

- For totalizers (not resettable):  
Flow → Flow counter → Flow counter N
- For daily counters (resettable)  
Flow → Daily counter → Daily counter N

#### Parameter

- **Allocation**  
Select the flow that is to be counted.
- **Counter unit**  
Select the unit for counting.
- **Value**  
Indicates the current value of the flow counter.
- **Overflow**  
Indicates the number of times the counter has passed the overflow point.  
Flow = (overflow x  $10^7$  + value) x counter unit
- **Reset**  
Only available on daily counters.  
Select the **Yes** option to reset the counter.

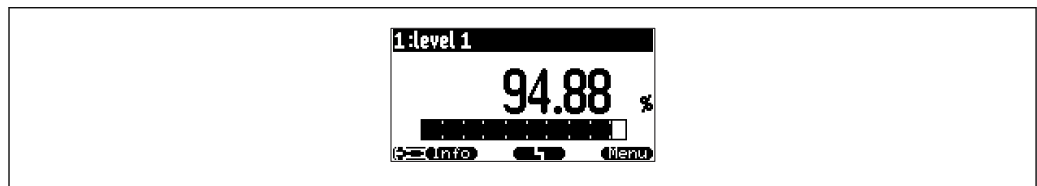
- **Error handling**
  - **Actual value:** the current flow value is used for counting
  - **Hold:** the counter uses the flow value that was present when the error occurred.
  - **Stop:** the counter is stopped.
- **External reset**

Only on devices with an external switch input.  
Select the external input via which the counter is reset.
- **External start**

Only on devices with an external switch input.  
Select the external input via which the counter is started and stopped.

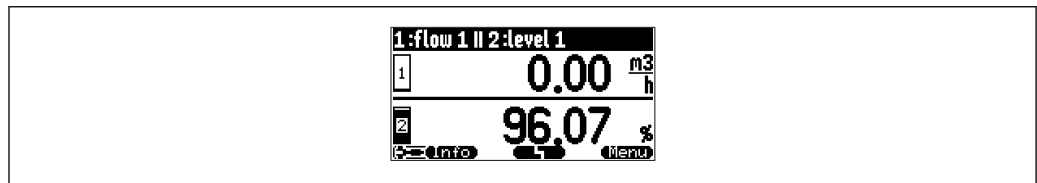
#### 9.4.4 Configuring the local display

##### Type of visualization



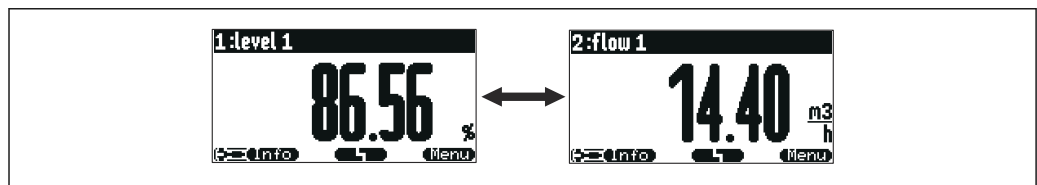
A0036764

52 "Type" = "1x value+bargr."



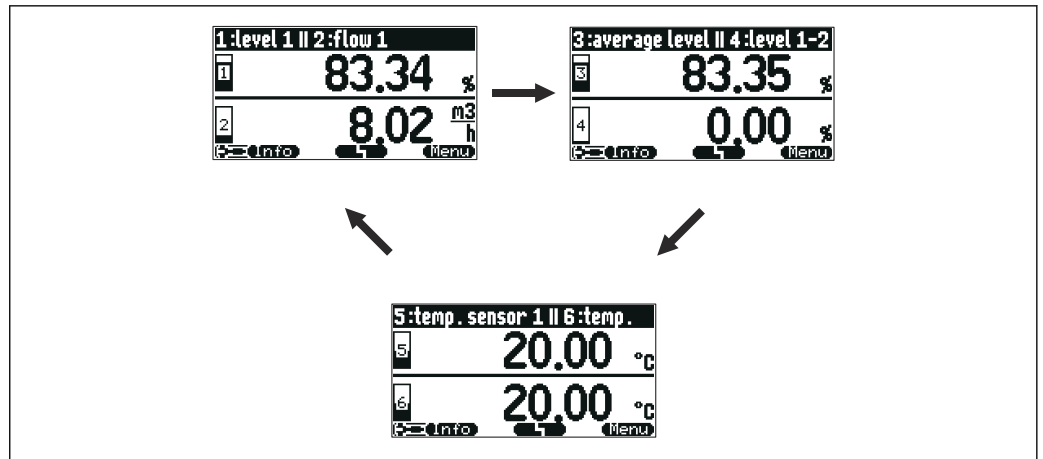
A0036765

53 "Type" = "2x value+bargr."



A0036766

54 "Type" = "value max size". The different values are displayed cyclically in maximum size.



55 "Type" = "alter.3x2 val.". Up to six values can be displayed. These values are spread over three pages with two values on each. These pages are displayed cyclically.

**i** Press  in the main display screen to change to the next value immediately.

### Configuration of the type of visualization

1. Navigate to the parameter set **Display → Display**.
2. Select the type of visualization in the **Type** parameter (see above).
3. For **Type = Value max size** or **Alter. 5x2 val.:**  
In the **Time** parameter, specify the time after which the next screen is displayed.
4. In the **Value 1** to **Value N** parameters, select a measured value to be displayed.
5. In the **Customized text 1** to **Customized text N** parameters, enter a text string to be displayed with the values.  
↳ The specified text string is displayed if **Customized text = Yes** (see below).

### Configuration of the display format

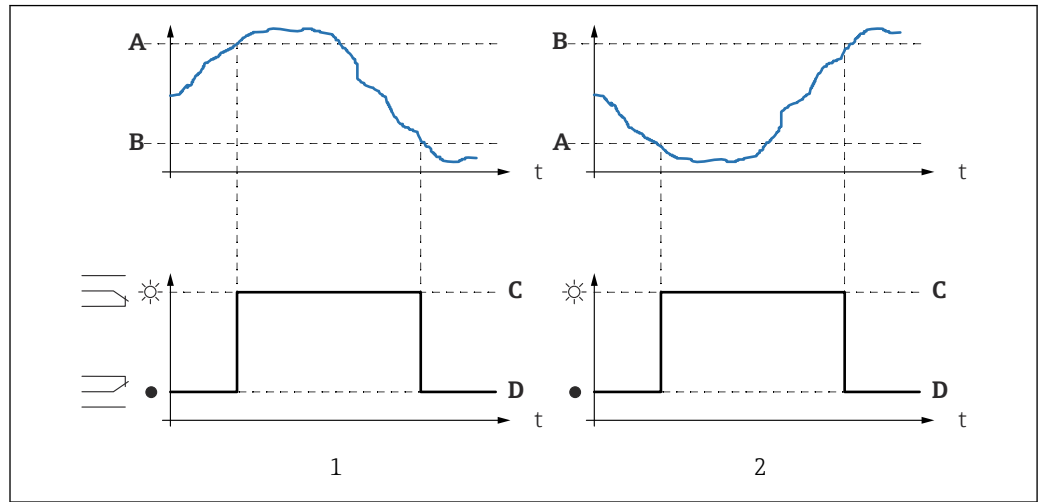
1. Navigate to the parameter set: **Display → Display format**.
2. In the **Format** parameter, select the number format for length data.
3. In the **No. of decimals** parameter, specify the number of decimal places that are displayed.
4. In the **Sep. character** parameter, specify whether a comma or dot is used as the decimal separator.
5. In the **Customized text** parameter, specify whether **Customized text 1** to **Customized text N** (see above) is used and displayed on the screen.

### Configuration of back to home time

1. Navigate to **Display → Back to home → Back to home**
2. Specify the time after which the onsite display returns to home (measured value display).

### 9.4.5 Configuring the limit value relay

Limit type = "Standard" or "Tendency/speed"

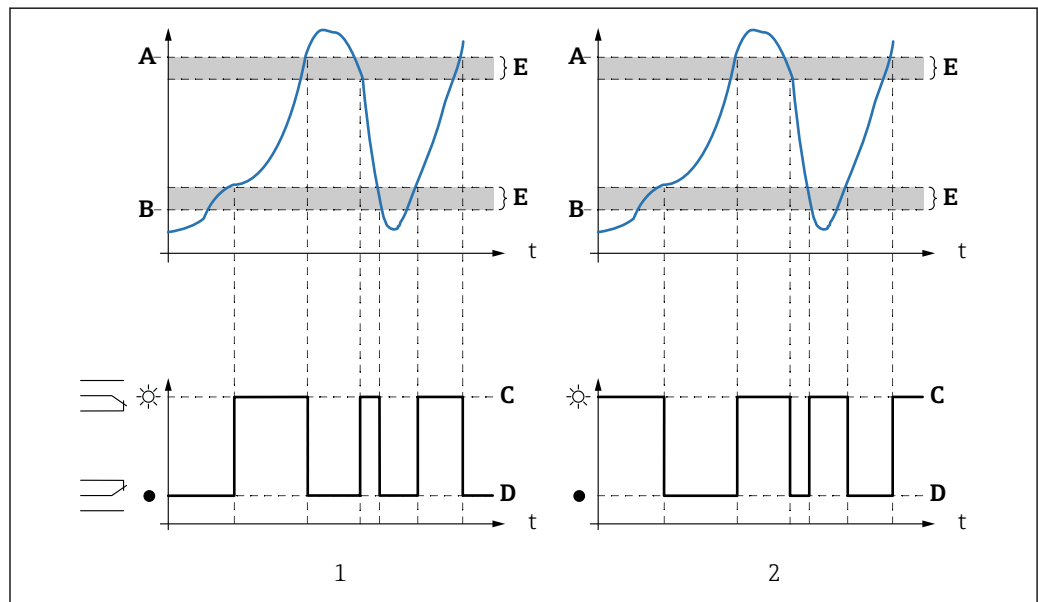


A0036325

56 Parameters for "Limit type" = "Standard" or "Tendency/speed"

- 1 "Switch-on point" > "Switch-off point"
- 2 "Switch-off point" > "Switch-on point"
- A Switch-on point
- B Switch-off point
- C Relay energized
- D Relay de-energized

Limit type = "Inband" or "Out of band"



A0036324

57 Parameters for "Limit type" = "Inband" or "Out of band"

- 1 "Limit type" = "Inband"
- 2 "Limit type" = "Out of band"
- A Upper switchpt.
- B Lower switchpt.
- C Relay energized
- D Relay de-energized
- E Hysteresis



### Configuration of the limit relay

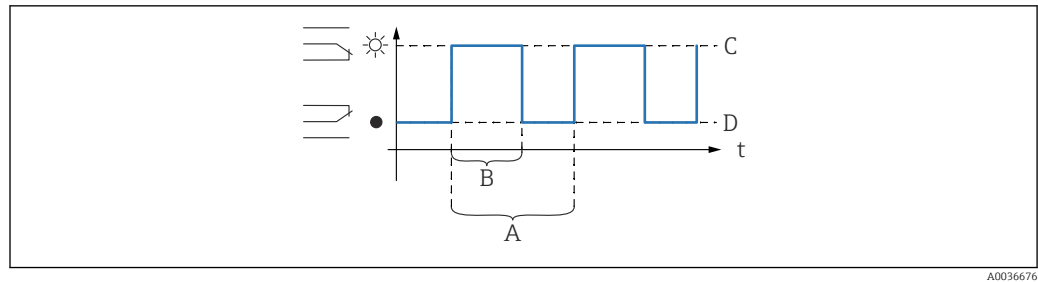
1. Navigate to the parameter set **Relay/controls** → **Relay configurat.** → **Relay N**
2. In the **Function** parameter, select the **Limit** option.  
↳ The **Function** picklist is displayed.
3. Select the variable to which the limit value refers.
4. In the **Limit type** parameter, select the appropriate limit type (see above).
5. For **Limit type = Standard**:  
In the **Switch-on point** parameter, specify the switch-on point.
6. For **Limit type = Standard**:  
In the **Switch-off point** parameter, specify the switch-off point.
7. For **Limit type = Tendency/speed**:  
In the **Switch on/min** parameter, specify the switch-on point for the speed of change.
8. For **Limit type = Tendency/speed**:  
In the **Switch off/min** parameter, specify the switch-off point for the speed of change.
9. For **Limit type = Inband or Out of band**  
In the **Upper switchpt.** parameter, specify the upper switch point.
10. For **Limit type = Inband or Out of band**  
In the **Lower switchpt.** parameter, specify the lower switch point.
11. For **Limit type = Inband or Out of band**  
In the **Hysteresis** parameter, specify the hysteresis for the switch points.
12. In the **Switch delay** parameter, specify the switch delay for the relay.  
↳ The relay only switches when the limit value has been exceeded for the length of time specified here.
13. In the **Invert** parameter, specify whether the switching direction of the relay is to be inverted in relation to the defined behavior.
14. In the **Error handling** parameter, specify the behavior of the relay if an error occurs.

### 9.4.6 Configuring the alarm or diagnostics relay

1. Navigate to: **Relay/controls** → **Relay configurat.** → **Relay N**
2. In the **Function** parameter, select the **Alarm/diagnost.** option.  
↳ The **Function** picklist is displayed.
3. Specify whether the relay indicates an alarm (**Alarm relay** option) or up to two user-definable device states (**Diagnostic** option).
4. For **Function = Diagnostic**  
In the **Allocation 1** and **Allocation 2** parameters, select the device states that are to be indicated by the relays.
5. In the **Invert** parameter, specify whether the switching direction of the relay is to be inverted in relation to the defined behavior.

### 9.4.7 Configuring the time pulse relay

A time pulse relay generates a short pulse at regular intervals.



58 Configuration of a time pulse relay

- A Pulse time
- B Pulse width
- C Relay energized
- D Relay de-energized

### Navigation

Relay/controls → Relay configurat. → Relay N

### Parameter

- **Select function**  
Select the **Time pulse** option.
- **Pulse width**  
Define the duration of each individual pulse.
- **Pulse time**  
Define the time interval between the individual pulses.
- **Invert**  
Specify whether the switching direction of the relay should be inverted. (Factory setting: No).
- **Error handling**  
Specify the behavior of the relay if an error occurs.

## 9.4.8 Configuring the counting pulse relay

A counting pulse relay generates a short pulse each time a certain volume of liquid has flowed through the flume or weir.

### Navigation

Relay/controls → Relay configurat. → Relay N

### Parameter

- **Select function**  
Select the **Counting pulse** option.
- **Function**  
Select the flow to which the counting pulses refer.
- **Counter unit**  
Select the volume unit for flow counting.
- **Pulse value**  
Select the flow volume after which a pulse is generated.
- **Pulse width**  
Define the duration of each individual pulse.
- **Pulse counter**  
Indicates how many pulses have already been generated.
- **Overflow x 10<sup>7</sup>**  
Indicates how often the counter has passed the overflow point of 10<sup>7</sup> counting pulses.
- **Reset counter**
  - **Yes:** The counter is reset to 0.
  - **No:** The counter keeps its value.
- **Start counter**  
Specify the lower flow limit for counting. Flows below this value are ignored during counting.

- **Stop counter**

Specify the upper flow limit for counting. Flows above this value are ignored during counting.

- **Invert**

Specify whether the switching direction of the relay should be inverted. (Factory setting: **No**).

- **Error handling**

Specify the behavior of the relay if an error occurs.

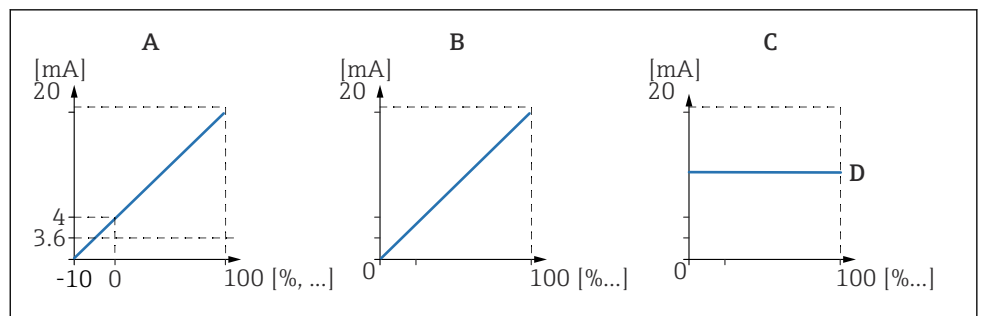
## 9.4.9 Configuring the current outputs

### Assigning a measured value to the current output

1. Navigate to: **Output/calculat.** → **Current output N** → **Allocat./calculat.** → **Allocat. curr. N**
2. In the **Output** parameter, specify which value is output via the current output.
  - ↳ The **Output current** parameter displays the latest output current.

### Extended calibration of the current output

1. Navigate to: **Output/calculat.** → **Current output N** → **Extended calibr.** → **Mode current N**
- 2.



A0043389

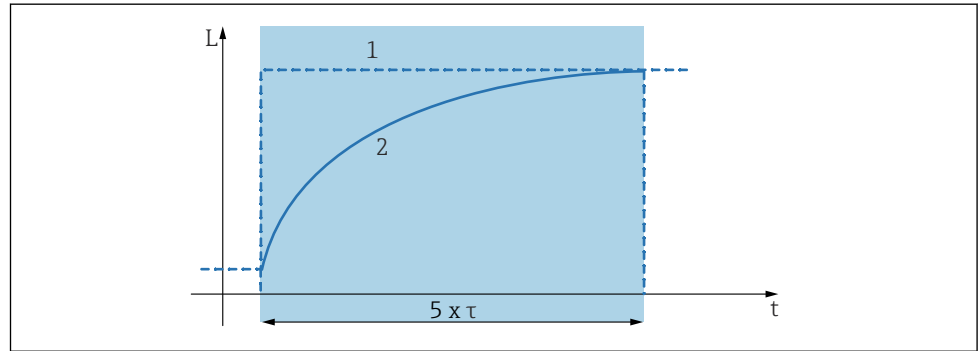
59 *Current span*

- A 4 to 20 mA
- B 0 to 20 mA
- C Fix. current HART
- D mA value

In the **Current span** parameter, select the current range to which the measured value (0 % to 100 %) will be mapped. If the **Fix. current** option is selected, the measured value is only transmitted via the HART signal.

3. For **Current span = Fix. current HART**:  
In the **mA value** parameter, specify the value of the fixed current.

4.



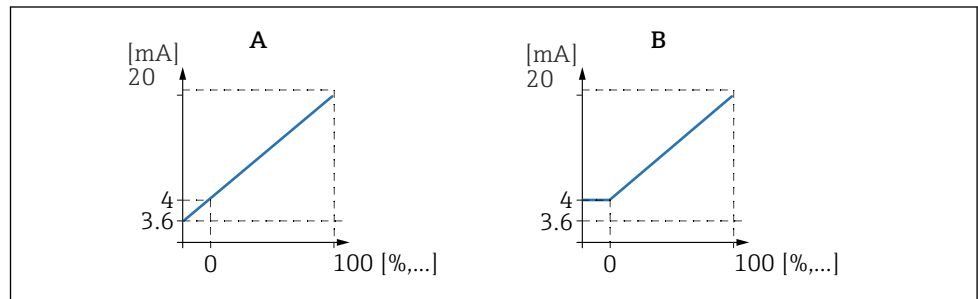
A0043390

60 Output damping

- 1 Measured value
- 2 Output current

In the **Output damping** parameter, define the attenuation constant  $\tau$  used to attenuate the output signal.

5.



A0043391

61 4mA threshold (only for current span = 4 to 20 mA)

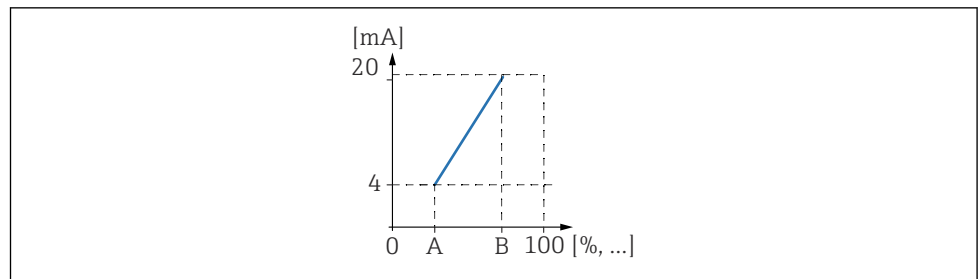
- A 4mA threshold off
- B 4mA threshold on

For **Current span = 4-20 mA**:

In the **4-mA threshold** parameter, switch the lower threshold limit for the current on or off.

- ↳ When the 4-mA threshold is switched on, the minimum current is 4 mA even if the measured value is lower.

6.



A0036674

62 Operating principle of the current turn down


- A Turn down 0/4mA
- B Turn down 20mA

In the **Curr. turn down** parameter, specify whether the current turn down is switched on or off.

- ↳ The current turn down spreads the level signal. Without the current turn down, the entire level range (0 % to 100 %) is mapped to the current range. When the current turn down function is switched on, a section of the level range (defined by the **Turn down 0/4mA** value and the **Turn down 20mA** value) is mapped to the current range.

7. For **Curr. turn down = On**:  
In the **Turn down 0/4mA value** parameter, specify the measured value at which the current is 0 mA or 4 mA.
8. For **Curr. turn down = On**:  
In the **Turn down 20mA value** parameter, specify the measured value at which the current is 20 mA.

### 9.4.10 Configuring the HART signal

 This section only applies to current output 1. The first HART variable (PV) always corresponds to the measured value which is also assigned to the current. The other HART variables can be defined in the **HART settings** submenu.

1. Navigate to: **Output/calculat. → Current output N → HART settings → HART settings**
2. In the **HART address** parameter, specify the HART address of the device.
  - ↳ If the address is set to 0, the measured value is also output via the current value. For addresses 1 - 15, the output current is constant. The measured value is then only output via the HART signal.
3. In the **No. of preambles** parameter, specify the number of preambles for the HART protocol.
4. In the **Measured value N** parameter (N = 2 - 4), specify which measured value is output via the HART variable.
5. In the **Output damping N** parameter (N = 2 - 4), specify the attenuation constant for the HART variable.

## 9.5 Simulation

### 9.5.1 Flow simulation

#### Navigation

- For flow sensor:  
Flow → Flow → Flow N → Simulation
- For upstream sensor in event of backwater or dirt detection:  
Flow → Flow 1 + backwater → Flow → Flow 1 → Simulation
- For downstream sensor in event of backwater or dirt detection:  
Flow → Flow 1 + Backwater → Backwater → Simulation

#### Parameter

- **Simulation**  
Select the variable to be simulated (level or volume).
- **Sim. level value**  
Only available if **Simulation = Sim. level**.  
Specify the level to be simulated. The calculated flow and the output signal follow this value.
- **Simulation value**  
Only available if **Simulation = Flow**.  
Specify the flow value to be simulated. The output signal follows this value.

### 9.5.2 Current simulation

#### Navigation

Output/calculat. → Current output N → Simulation

**Parameter**■ **Simulation**

Switch simulation on or off.

■ **Simulation value**

Only available if **Simulation** = **On**.

Specify the current to be simulated. The current output adopts this value.

## 9.6 Protecting settings from unauthorized access

### 9.6.1 Software locking

**Locking**


1. Navigate to **Device properties** → **Password/reset** → **Code**.
2. Enter a number ≠ 100.
  - ↳ The device is locked; no entries can be made.

**Unlocking**

- ▶ If an attempt is made to change a parameter, the device jumps to **Password/reset**. Enter "100".
  - ↳ Entries can be made again.

### 9.6.2 Keypad lock

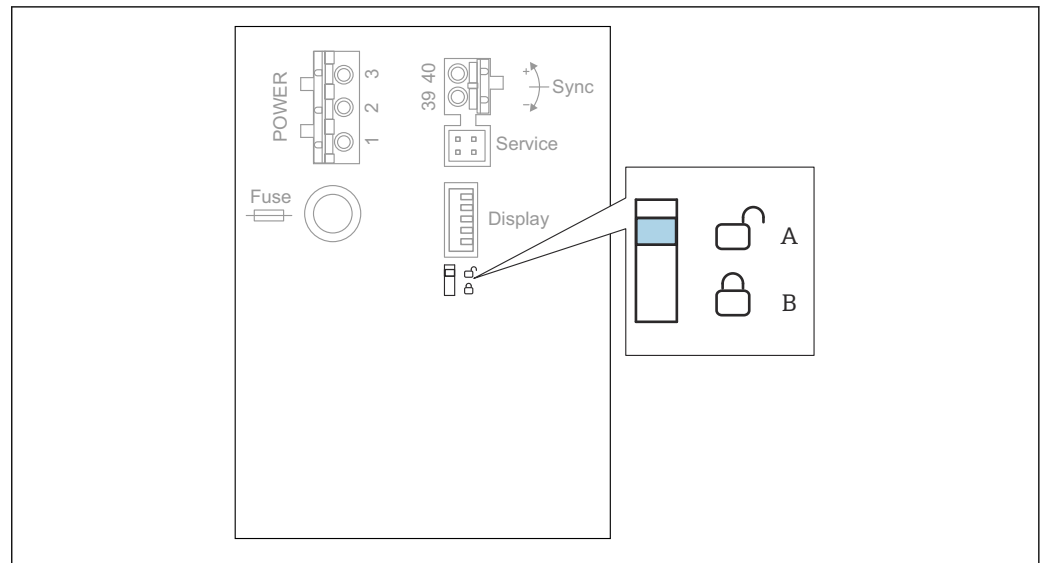
**Locking**

- ▶ Press all three keys simultaneously.
  - ↳ The device is locked; no entries can be made. The **()** symbol appears on the display.

**Unlocking**

- ▶ If an attempt is made to change a parameter, the device jumps to **Password/reset**. **Key-locked** is displayed in the **Status** parameter. Press all three keys simultaneously.
  - ↳ Entries can be made again.


### 9.6.3 Hardware locking



63 Hardware locking

A Unlocked

B Locked

A write protection switch, which can be used to lock the device against parameter changes, is located on the basic terminal area in the terminal compartment. When the device is locked the  symbol is shown on the display.

### 9.6.4 Displaying the locking status

#### Navigation

Device properties → Password/reset → Status

#### Display options

##### ■ Unlocked

All parameters (apart from Service parameters) can be edited.

##### ■ Code locked

The device has been locked via the operating menu. It can only be unlocked again by entering the access code in the **Device settings** → **Password/reset** → **Code** parameter.

##### ■ Key-locked

The device has been locked via the operating keys. It can only be unlocked again by pressing all three keys simultaneously.

##### ■ Switch-locked

The device has been locked via the write protection switch in the terminal compartment. It can only be unlocked again using this switch.

## 10 Diagnostics and troubleshooting

### 10.1 General troubleshooting

#### 10.1.1 Calibration error

##### Measured value incorrect

Check the **Actual distance** parameter.

- The **Actual distance** is incorrect:
  - For measurements in a bypass or ultrasound guide pipe:  
Set the appropriate option in the **LVL N appl. param.** parameter set.
  - Perform interference echo suppression (mapping) (**LVL N check value** parameter set).
- The **Actual distance** is correct:
  - Check the **Empty E** and **Full F** parameters and correct them if necessary.
  - Check linearization and correct it if necessary.

##### No change of measured value on filling/emptying

- Perform interference echo suppression (mapping).
- Clean sensor.
- Select a better installation position for the sensor (to avoid interference echoes).

##### If the surface is turbulent, the measured value jumps sporadically to higher levels

- Perform interference echo suppression (mapping).
- Set the **Process cond.** parameter to **Turb. surface** or **Add. agitator**.
- Select another installation position and/or a larger sensor.

##### During filling/emptying, the measured value drops sporadically.

- Set the **Tank shape** parameter to **Dome ceiling** or **Horizontal cyl.**
- Avoid a central mounting position for the sensor.
- If possible, use a stilling well/ultrasound guide pipe.

##### Echo loss (error E xx 641)

- Check all the application parameters (**LVL N appl. param.** parameter set)
- Select another installation position and/or a larger sensor.
- Align the sensor so that it is parallel to the surface of the product (particularly for bulk solids applications).

#### 10.1.2 Checking the signal in the envelope curve display

##### Aim of the envelope curve display

The measuring signal can be checked with the envelope curve display. From the envelope curve, it is possible to see if interference echoes are present and if these echoes are completely suppressed by the interference echo suppression (mapping) function.

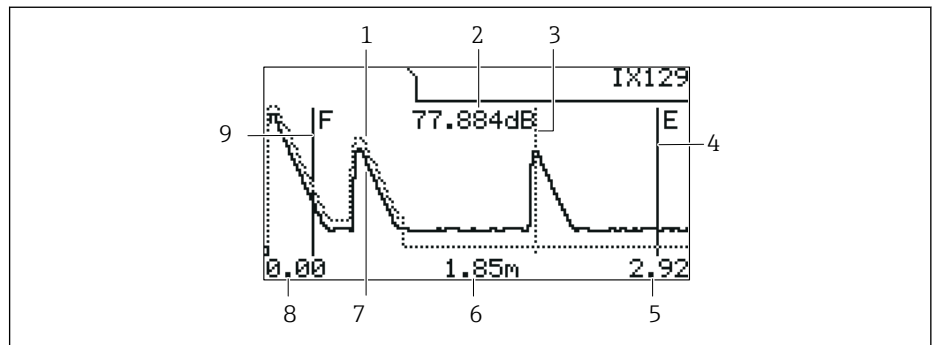
##### Envelope curve on the display module

To call the envelope curve display:

1. Navigate to **System informat.** → **Envelope curve**.
2. For devices with several sensors:  
Select the sensor whose envelope curve is to be displayed.



3. Select which type of curve is to be displayed: envelope curve, floating average curve (FAC), mapping curve.
4. Select the display format: **single curve** or **cyclic**.
  - ↳ The envelope curve display now appears:



A0036421

64 Envelope curve on the local display

- 1 Mapping curve (dotted line)
- 2 Echo quality of the evaluated echo (i.e. distance of the peak of the echo from the floating average curve)
- 3 Marking for the evaluated echo
- 4 Marking for empty calibration E
- 5 Right limit of the display range
- 6 Distance of the evaluated echo (measured from the reference point of the sensor)
- 7 Envelope curve (solid line)
- 8 Left limit of the display range
- 9 Marking for full calibration F

### Scaling the envelope curve display

1. Press the left or middle key.
  - ↳ The ◀▶ or ▶▶ symbol appears in the top right-hand corner of the chart.
2. To zoom in: press the middle key.
3. To zoom out: press the left key.

### Moving the envelope curve horizontally

1. Press the right key.
  - ↳ The ◀▶ or ▶▶ symbol appears in the top right-hand corner of the chart.
2. To move the screen to the right, press the middle key.
3. To move the screen to the left, press the left key.

### Quitting the envelope curve display

- ▶ Press all three keys simultaneously.

## Envelope curve display in FieldCare/DeviceCare

The top screenshot shows the 'FieldCare - Device Setup - DB' window. The 'Additional Functions' menu is open, and 'Envelope Curve US-1' is selected. The bottom screenshot shows the 'FieldCare - Device Setup - DB' window with the 'Envelope Curve' graph displayed. The graph shows a red curve with a peak at 2.56 m, 57.12 dB. The 'Parameters' table is visible on the right.

Name	Value
echo quality (1)	42.3 dB
act. temperature (1)	25.1 °C
usr01 distance (1)	2.952 m
blocking dist. (1)	0.300 m
act. distance (1)	2.56 m
present PEF (1)	17.8 dB
sensor (1)	not modified

1. Click **F** (functions) on the menu bar.
2. Select the sensor whose envelope curve is to be displayed.
3. To display a single curve, click the **Read curve** button.
4. To display the curves cyclically, press the **Cyclic read** button.
5. In the **Curves** window, select which type of curve is to be displayed: envelope curve, floating average curve (FAC), mapping curve.

## 10.2 Overview of diagnostic information

### 10.2.1 Error signal

Displaying errors that occur during commissioning or operation:

- **Onsite display:**
  - Error symbol
  - Error code
  - Error description
- **Current output**, depends on the **Output on alarm** → **Output N** parameter:
  - **Min (3.6 mA)**: -10 %, 3.6 mA
  - **Max (22 mA)**: 110 %, 22 mA
  - **Hold**: the last value is held.
  - **User specific**: defined in the **Output value N** parameter.
- **Operating menu:**  
System informat. → Error list → Actual error


### 10.2.2 List of the last errors

**Operating menu:**

System informat. → Error list → Last error

### 10.2.3 Types of error

#### Alarm (A)

 lit permanently.

The value of the output signal is defined by the **Output on alarm** → **Output N** parameter:

- **Min (3.6 mA)**: -10 %, 3.6 mA
- **Max (22 mA)**: 110 %, 22 mA
- **Hold**: the last value is held.
- **User specific**: defined in the **Output value N** parameter.

The operating status LED flashes red. An error message is displayed.

#### Warning (W)

 flashes.

- The device continues to measure.
- The operating status LED flashes red.
- An error message is displayed.

### 10.2.4 Error codes

#### Meaning of the error codes

- **Digit 1:**  
Type of error
  - A: alarm
  - W: warning
  - E: error (the error behavior is defined by the user.)
- **Digits 2 and 3:**  
Input or output channel  
"00" means that the error does not refer to a specific channel.
- **Digits 4 to 6:**  
Error code according to the following table

**List of error codes**

- **A 00 100**  
Software version does not suit hardware version.
- **A 00 101**  
Checksum error  
→ Total reset and recalibration
- **A 00 102**  
Checksum error  
→ Total reset and recalibration
- **W 00 103**  
Initializing - please wait  
→ If the message does not disappear after a few seconds, replace the electronics.
- **A 00 106**  
Downloading - please wait  
→ Wait for the download to finish.
- **A 00 110**  
Checksum error  
→ Total reset and recalibration
- **A 00 111/112/114/115**  
Electronics defect
  - → Switch off device and switch it on again.
  - → If the error persists: call Endress+Hauser Service.
- **A 00 116**  
Download error  
→ Repeat download.
- **A 00 117**  
Hardware after change not identified
- **A 0x 121**  
Current output 01 or 02 not calibrated  
→ Call Endress+Hauser Service.
- **A 00 125**  
Electronics defect  
→ Replace electronics.
- **A 00 152**  
Checksum error  
→ Perform total reset and recalibration.
- **W 00 153**  
Initializing  
→ If the message does not disappear after a few seconds, replace the electronics.
- **A 00 155**  
Electronics defect  
→ Replace electronics.
- **A 00 164**  
Electronics defect  
Replace electronics.
- **A 00 171**  
Electronics defect  
Replace electronics.
- **A 00 180**  
Synchronization failure  
→ Check synchronization connection.
- **A 00 183**  
Not supported hardware
  - → Check whether the printed circuit boards installed match the order code for the device.
  - → Call Endress+Hauser Service.
- **A 0x 231**  
Sensor 01 or 02 defect - check connection  
→ Check that the sensor is connected correctly.

- **A 00 250**  
Faulty external temperature sensor  
→ Check temperature sensor.
- **A 0x 281**  
Temperature readings sensor 01 or 02 defect - check connection  
→ Check that the sensor is connected correctly.
- **W 0x 501**  
No sensor selected for input 01 or 02  
→ Select sensor (**Level** or **Flow** menu).
- **A 0x 502**  
Sensor 01 or 02 not recognized  
→ Enter sensor type manually (**Level** or **Flow** menu, **Basic setup** submenu).
- **A 00 511**  
No factory calibration available
- **A 0x 512**  
Recording of mapping  
→ Wait for the mapping to finish.
- **W 01 521**  
New sensor 01 or 02 recognized
- **W 01 601**  
Linearization curve steps incorrect level 01 or 02  
→ Enter linearization again (**Level** menu).
- **W 0x 602/603**  
Linearization curve steps incorrect flow 01 or 02  
→ Enter linearization again (**Flow** menu).
- **A 0x 604**  
Calibration level 01 or 02 failure  
→ Correct calibration (**Level** menu).
- **A 0x 605/606**  
Calibration flow 01 or 02 failure  
→ Correct calibration (**Flow** menu).
- **W 0x 611**  
Less than 2 linearization points for level 01 or 02  
→ Enter additional linearization points (**Level** menu).
- **W 0x 612/613**  
Less than 2 linearization points for flow 01 or 02  
→ Enter additional linearization points (**Flow** menu).
- **W 0x 620**  
Pulse value too small relay 01 - 06  
→ Check counting unit (**Flow** menu, **Flow counter** submenu).
- **E 0x 641**  
No usable echo sensor 01 or 02  
→ Check basic setup for the sensor (**Level** or **Flow** menu).
- **A 0x 651**  
Level in safety distance sensor 01 or 02 risk overflow  
The error disappears as soon as the level is no longer in the safety distance.  
→ If necessary, activate the **Reset self holding** function (**Safety settings** menu).
- **E 0x 661**  
Sensor 01 or 02 temperature too high (max. temp. exceeded at sensor)
- **W 0x 682**  
Current 01 or 02 out of range
  - → Perform basic setup.
  - → Check linearization.
- **W 0x 691**  
Noise filling detected sensor 01 or 02
- **W 00 692**  
Backwater detected (with active backwater detection)
- **W 00 693**  
Dirt detected (with active dirt detection)

- **W 0x 70y**  
Operating hours alarm pump y PST x  
→ Reset operating hours (**Op.hour alarm** submenu).
- **W 0x 71y**  
Failure pump y PST x  
→ Check pump 1. After rectifying the pump error, reset the pump controller or switch the device off and on again.
- **W 00 801**  
Simulation level on  
→ Switch off level simulation (**Level** menu).
- **W 0x 802**  
Simulation sensor 01 or 02 on  
→ Switch off simulation.
- **W 0x 803/804**  
Simulation flow on  
→ Switch off simulation (**Flow** menu).
- **W 01 805**  
Simulation current 01 on  
→ Switch off simulation (**Outputs/calculations** menu).
- **W 02 806**  
Simulation current 02 on  
→ Switch off simulation (**Outputs/calculations** menu).
- **W 0x 807**  
Simulation relay 01 - 06 on  
→ Switch off simulation.
- **W 0x 808**  
Sensor 01 or 02 off  
→ Switch on sensor (**Sensor management** menu).
- **W 0x 809**  
Current D/A adjustment active
- **A 00 820-832**  
Different units for the calculation of mean value/total/difference or rake control.  
→ Check units in the corresponding basic setups (**Level** or **Flow** menu).

### 10.3 Firmware history

- **V01.00.00 (12.2005)**  
Original software  
BA00289F/00/en/12.05
- **V01.00.02 (06.2006)**  
Limit relay function revised  
BA00289F/00/en/12.05
- **V02.00.00 (04.2007)**  
New option: binary inputs (e.g. to capture external limit values or pump, motor and switch positions)  
BA00289F/00/en/10.07
- **V02.01.00 (07.2009)**  
Introduction of FDU90 sensor  
BA00289F/00/en/07.09
- **V02.01.01 (02.2010)**  
Introduction of temperature plausibility  
BA00289F/00/en/07.09

- **V01.02.03 (05.2011)**  
Improved temperature plausibility; flow counter limit; troubleshooting  
BA00289F/00/en/07.09
- **V01.02.05 (08.2014)**  
Continuous improvement  
BA00289F/00/en/13.12
- **V01.02.06 (04.2016)**  
Continuous improvement  
BA00289F/00/en/14.17

## **11 Maintenance**

No special maintenance work is required.

### **11.1 Exterior cleaning**

When cleaning the exterior, always use cleaning agents that do not corrode the surface of the housing and the seals.



## 12 Repair

### 12.1 General information

#### 12.1.1 The Endress+Hauser repair concept

Under the Endress+Hauser repair concept, the measuring devices have a modular design and customers are able to undertake repairs themselves. For more information on service and spare parts, please contact your Endress+Hauser sales representative.

#### 12.1.2 Repair of Ex-certified devices

- Only specialist personnel or Endress+Hauser-Service can carry out repairs to Ex certified devices.
- Comply with the prevailing standards, national Ex-area regulations, Safety Instructions (XA) and certificates.
- Use only original Endress+Hauser spare parts.
- When ordering spare parts, check the device designation on the nameplate. Only identical parts may be used as replacements.
- Carry out repairs according to the instructions. On completion of the repair, carry out the routine test specified for the device.
- A certified device may be converted to another certified device version by Endress +Hauser Service only.
- Document all repairs and modifications.

#### 12.1.3 Replacing a device or electronics module

After an entire device or an electronics module has been replaced, the parameters can be downloaded to the device again via the communication interface. For this, the data must have been uploaded to the PC beforehand using the "FieldCare" software. You can continue measuring without performing a new calibration. Only a linearization and interference echo suppression need to be performed again.

#### 12.1.4 Replacing the sensor

Check the following parameters after replacing the sensor:

- **Empty E**
- **Full F**
- **Check distance** (mapping)

Afterwards, measurement can resume without further restrictions.

### 12.2 Spare parts

All the spare parts for the measuring device, along with the order code, are listed in the *W@M Device Viewer* ([www.endress.com/deviceviewer](http://www.endress.com/deviceviewer)) and can be ordered. If available, users can also download the associated Installation Instructions.

### 12.3 Return

The requirements for safe device return can vary depending on the device type and national legislation.

1. Refer to the website for more information:  
<http://www.endress.com/support/return-material>

2. Return the device if repairs or a factory calibration are required, or if the wrong device was ordered or delivered.

## 12.4 Disposal

Observe the following notes during disposal:

- Observe valid federal/national regulations.
- Ensure proper separation and reuse of the device components.

## 13 Accessories

### 13.1 Communication-specific accessories

#### 13.1.1 Commubox FXA195 HART

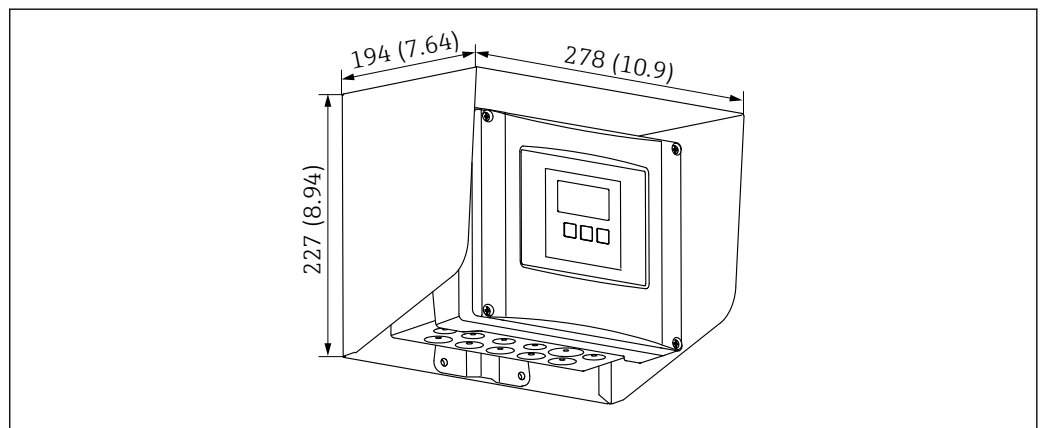
- For intrinsically safe HART communication with FieldCare or DeviceCare via the USB interface
- Additional information: Technical Information TI00404F

#### 13.1.2 Commubox FXA291

- Connects the CDI interface (Common Data Interface) of Endress+Hauser devices with the USB port of a computer.
- Order number: 51516983
- Additional information: Technical Information TI00405C

### 13.2 Device-specific accessories

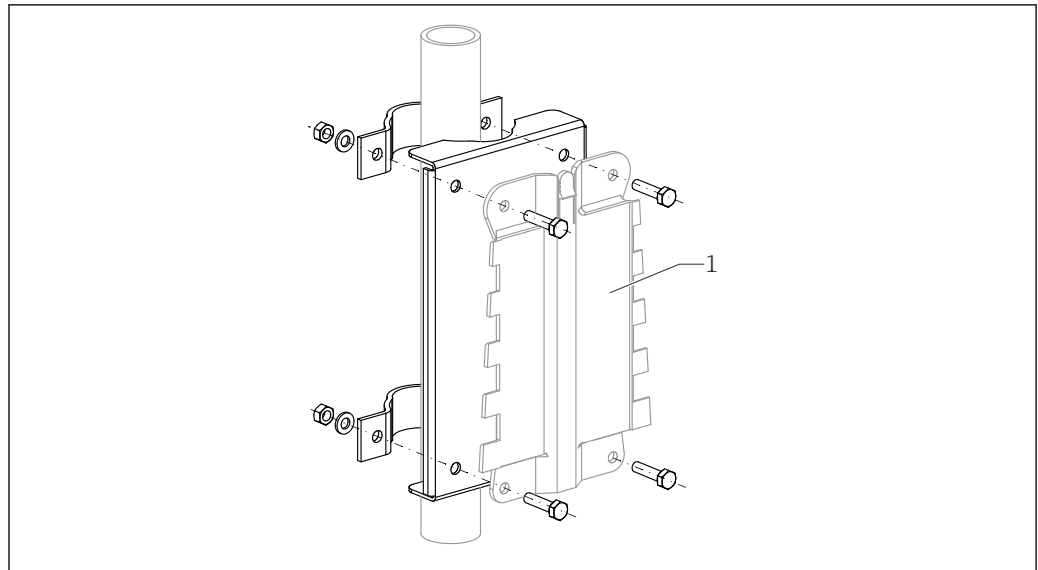
#### 13.2.1 Weather protection cover for polycarbonate field housing



65 Weather protection cover for polycarbonate field housing. Unit of measurement mm (in)

- Material: 316Ti (1.4571)
- Mounting and fixing: using the Prosonic S housing bracket
- Order number: 52024477

### 13.2.2 Mounting plate for polycarbonate field housing

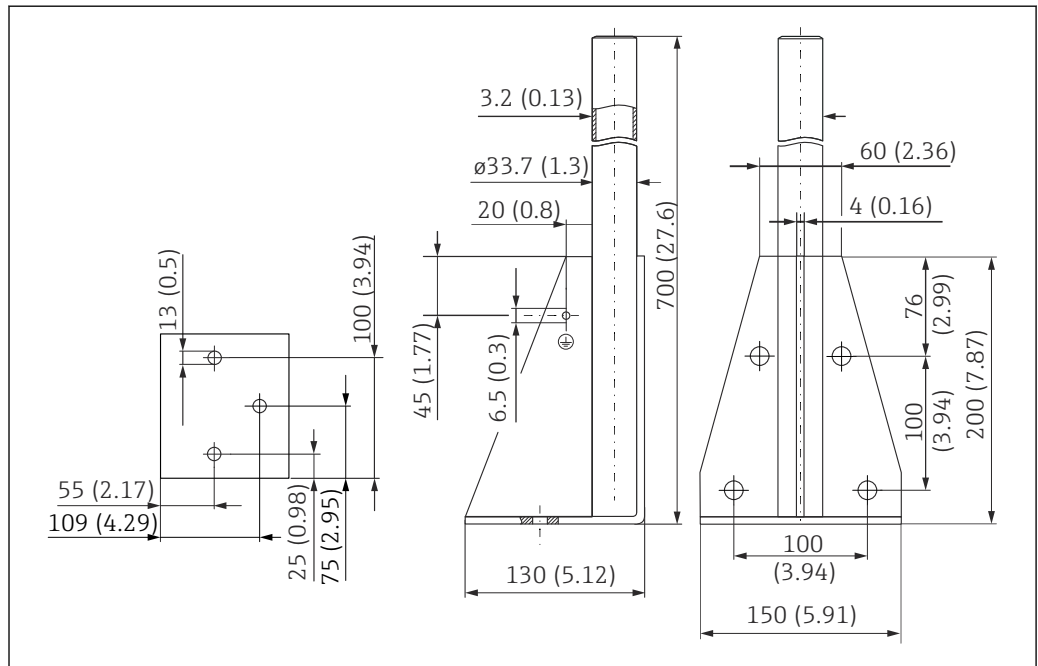


A0034923

66 Mounting plate for polycarbonate field housing

- Compatible with the Prosonic S housing bracket
- Pipe diameter: 25 to 50 mm (1 to 2 in)
- Dimensions: 210 x 110 mm (8.27 x 4.33 in)
- Material: 316Ti (1.4571)
- Mounting accessories: fastening clips, screws and nuts are supplied.
- Order number: 52024478

#### Frame, 700 mm (27.6 in)



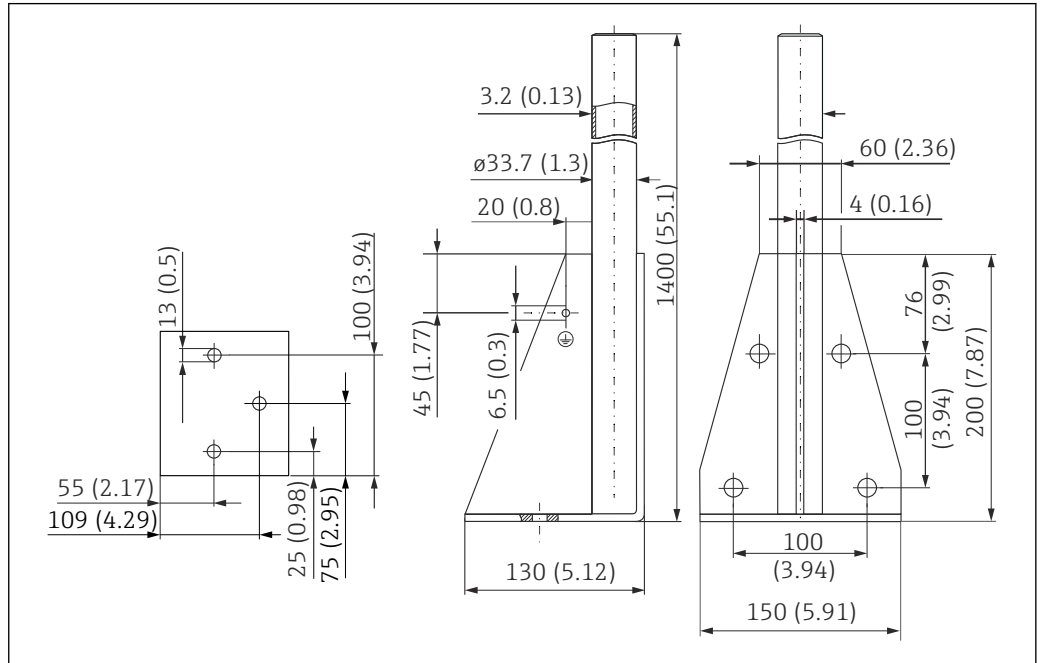
A0037799

67 Dimensions. Unit of measurement mm (in)

**Weight:**  
4.0 kg (8.82 lb)

**Material**  
316L (1.4404)  
**Order number**  
71452327

**Frame, 1400 mm (55.1 in)**

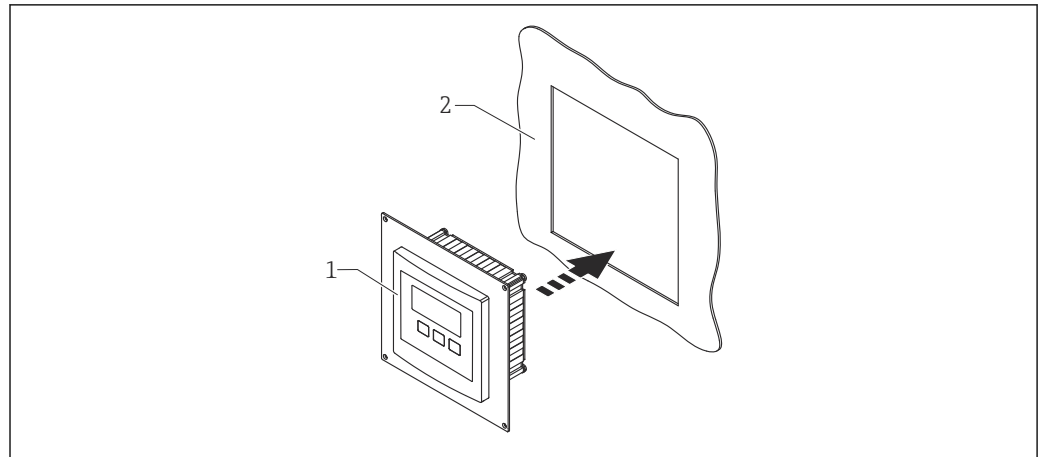


68 Dimensions. Unit of measurement mm (in)

**Weight:**  
6.0 kg (13.23 lb)

**Material**  
316L (1.4404)  
**Order number**  
71452326

### 13.2.3 Adapter plate for remote display



A0035916

#### 69 Use of adapter plate

- 1 Remote display of Prosonic S FMU9x with adapter plate
- 2 Installation opening of the remote display of the FMU86x predecessor transmitter

To mount the remote display of the Prosonic S FMU9x in the housing of the larger remote display of the FMU86x predecessor

- Dimensions: 144 x 144 mm (5.7 x 5.7 in)
- Material: 304 (1.4301)
- Order number: 52027441

### 13.2.4 HAW562 surge arrester

Reduces residual voltages from upstream lightning arresters; limits surges induced or generated in the system

Additional information: Technical Information TI01012K

### 13.2.5 Extension cables for sensors

- i** ▪ Maximum permissible total length (sensor cable + extension cable): 300 m (984 ft)
- The sensor cable and extension cable are the same type of cable.

#### FDU90/FDU91 without sensor heater

- Cable type: LiYCY 2x(0.75)
- Material: PVC
- Ambient temperature:
- Order number: 71027742

#### FDU90/FDU91 with sensor heater

- Cable type: LiYY 2x(0.75)D+2x0.75
- Material: PVC
- Ambient temperature: -40 to +105 °C (-40 to +221 °F)
- Order number: 71027746

#### FDU92

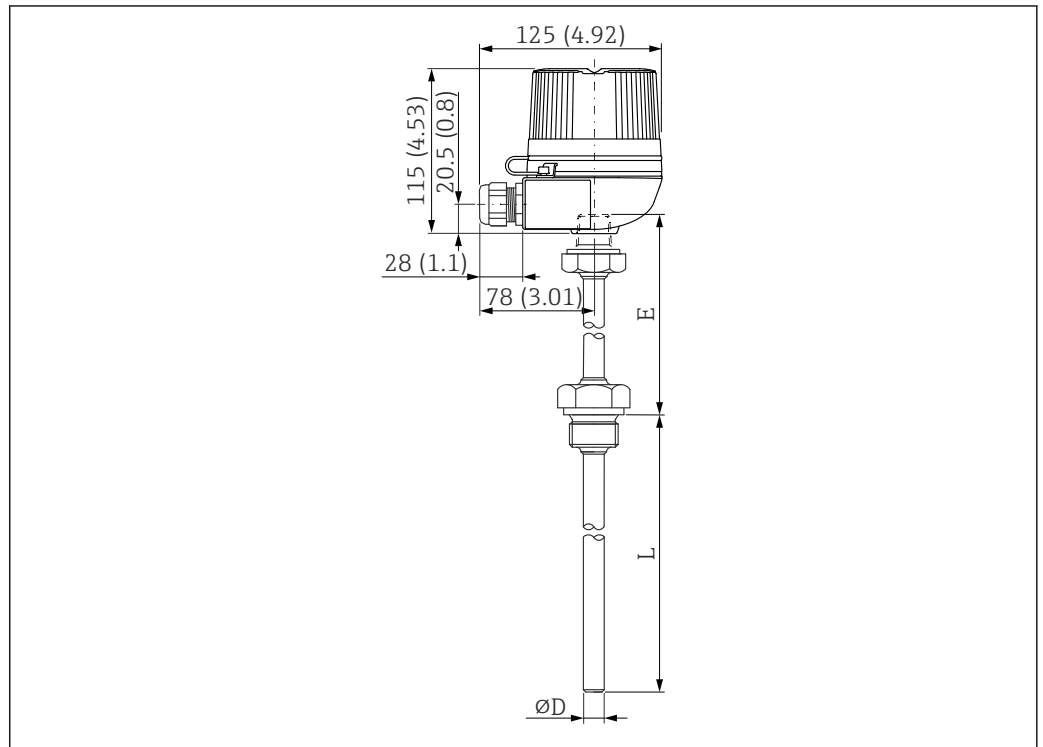
- Cable type: LiYCY 2x(0.75)
- Material: PVC
- Ambient temperature: -40 to +105 °C (-40 to +221 °F)
- Order number: 71027742

#### FDU91F/FDU93/FDU95

- Cable type: LiYY 2x(0.75)D+1x0.75
- Material: PVC
- Ambient temperature: -40 to +105 °C (-40 to +221 °F)
- Order number: 71027743

**FDU95**

- Cable type: Li2G2G 2x(0.75)D+1x0.75
- Material: silicone
- Ambient temperature: -40 to +150 °C (-40 to +302 °F)
- Order number: 71027745

**13.2.6 Temperature sensor Omnigrad S TR61**

70 Structure of the Omnigrad S TR61; dimensions: mm (in)

A0035035

- **Replacement for FMT131-R\* (non-hazardous area)**  
TR61-ABADOBHSCC2B
- **Replacement for FMT131-J\* (ATEX II 2G EEx m II T6/T5)**  
TR61-EBADOBHSCC2B
- Additional information: Technical Information TI01029T

## 14 Operating menu

### 14.1 Menu "Level → Level (LVL N)"

#### 14.1.1 Submenu "Basic setup"

**Parameter set L1003 "LVL N sensor sel."**

- Input
- Sensor selection
- Detected

**Parameter set L1004 "LVL N appl. param."**

- Tank shape
- Medium property
- Process conditions

**Parameter set L1005 "LVL N empty cal."**

Empty E

**Parameter set L 1006 "LVL N full cal."**

- Full F
- Blocking distance

**Parameter set L1007 "LVL N unit"**

- Unit level
- Level N
- Distance

**Parameter set L1008 "LVL N linearisat."**

- Type
- Customer unit
- Customized text
- Max. scale
- Diameter
- Intermediate height (H)
- Mode
- Edit
- Status table

**Parameter set L100B "LVL N check value"**

- Act. distance N
- Check distance

**Parameter set L100B "LVL N dist. map."**

- Act. distance N
- Range of mapping
- Start mapping
- Status

**Parameter set L100C "LVL N status"**

- Level N
- Act. distance N
- Status

#### 14.1.2 Submenu "Extended calibr."

**Parameter set L1016 "LVL N dist. map."**

- Act. distance N
- Range of mapping
- Start mapping
- Status



**Parameter set L1017 "LVL N check value"**

Correction

**Parameter set L1018 "LVL N correction"**

Offset

**Parameter set L1020 "LVL N blocking distance"**

Blocking distance

**Parameter set L1019 "LVL N limitation"**

- Limitation
- Upper limit
- Lower limit

**Parameter set L1020/L1021 "LVL N ext. input M"**

Only for devices with additional digital inputs (FMU90\*\*\*\*\*B\*\*\*)

- Input M
- Function
- Value

**14.1.3 Submenu "Simulation"****Parameter set L1022 "LVL N simulation"**

- Simulation
- Sim. level value
- Sim. volume value

**14.2 Menu "Flow N"****Navigation to the menu:**

- If **Operating mode = Level + flow**:  
Flow → Flow → Flow N
- If **Operating mode = Flow**:  
Flow → Flow → Flow N
- If **Operating mode = Flow + backwater**:  
Flow → Flow 1 + backwater → Flow N

**14.2.1 Submenu "Basic setup"****Parameter set F1003 "Flow N sensor sel."**

- Input
- Sensor selection
- Detected

**Parameter set F1004 "Flow N linearisat."**

- Type
- Flow unit
- Curve
- Width
- Edit
- Status table
- alpha
- beta
- gamma
- C
- Max. flow

**Parameter set F1010 "Flow N empty cal."**

- Empty E
- Blocking distance

**Parameter set F1005 "Flow N"**

- Flow N
- Level
- Distance

**Parameter set F1006 "Flow N check value"**

- Distance
- Check distance

**Parameter set F1008 "Flow N mapping"**

- Distance
- Range of mapping
- Start mapping
- Status

**Parameter set "Flow N status"**

- Level
- Distance
- Flow N
- Status

**14.2.2 Submenu "Extended calibr."****Parameter set F1010 "Flow N mapping"**

- Distance
- Range of mapping
- Start mapping
- Status

**Parameter set F1011 "Flow N low cut off"**

- Low flow cut off
- Flow N

**Parameter set F1012 "Flow N dist. corr."**

- Correction
- Flow N

**Parameter set F1013 "Flow N level corr."**

- Offset
- Flow N

**Parameter set F1016 "Flow N blocking distance"**

Blocking distance

**Parameter set F1014 "Flow N limitation"**

- Limitation
- Upper limit
- Lower limit

**Parameter set F1015/F1016 "Flow N ext. input M"**

- Input M
- Function
- Value

**14.2.3 Submenu "Simulation"****Parameter set F1020 "Flow N simulation"**

- Simulation
- Sim. level value
- Sim. flow Value

## 14.3 Menu "Backwater"

### Navigation to the submenu

Flow → Flow 1+ backw. → Backwater

### 14.3.1 Submenu "Basic setup"

#### Parameter set F1304 "Backwater sensor selection"

- Input
- Sensor selection
- Detected

#### Parameter set F1305 "Backw. empty cal."

- Empty E
- Blocking distance

#### Parameter set F1306 "Backwater detection"

Ratio B

#### Parameter set F1306 "Dirt detection"

Ratio D

#### Parameter set F1307 "Backwater"

- Act. backw. level
- Act. flow level
- Actual ratio
- Flow 1

#### Parameter set F1308 "Backwater check value"

- Distance
- Check distance

#### Parameter set F1309 "Backwater mapping"

- Distance
- Range of mapping
- Start mapping
- Status

### 14.3.2 Submenu "Extended calibr."

#### Parameter set F1500 "Backwater mapping"

- Distance
- Range of mapping
- Start mapping
- Status

#### Parameter set F1501 "Backw dist. corr."

Sensor offset

#### Parameter set F1502 "Backw. correction"

Offset

#### Parameter set F1504 "Backw. block.dist."

Blocking distance

#### Parameter set F1503 "Backw. limitation"

- Limitation
- Upper limit
- Lower limit

#### Parameter set F1504/F1505 "Backw. ext. input M"

- Input M
- Function
- Value

### 14.3.3 Submenu "Simulation"

#### Parameter set F1600 "Backw. simulation"

- Simulation
- Sim. level value

## 14.4 Menu "Flow counter"

#### Navigation to the submenu:

Flow → Flow counter

### 14.4.1 Submenu "Totalizer"

#### Parameter set F1202 "Totalizer N"

- Allocation
- Counter unit

#### Parameter set F1203 "Totalizer N"

- Value
- Overflow x 10<sup>7</sup>

#### Parameter set F1204 "Totalizer N"

Failure mode

### 14.4.2 Submenu "Daily counter"

#### Parameter set F1102 "Daily counter N"

- Allocation
- Counter unit

#### Parameter set F1103 "Daily counter N"

- Value
- Overflow x 10<sup>7</sup>
- Reset

#### Parameter set F1104 "Daily counter N"

Failure mode

#### Parameter set F1105 "Daily counter N"

Only for devices with additional digital inputs (FMU90-\*\*\*\*\*B\*\*\*)

- External reset
- External start

## 14.5 Menu "Safety settings"

#### Parameter set AX101 "Output on alarm"

- Output N
- Output value N

#### Parameter set AX102 "Outp. echo loss"

- Level N
- Ramp level N
- Value level N
- Flow N
- Value flow N

#### Parameter set AX103 "Delay echo loss"

Delay Sensor N

#### Parameter set AX104 "Safety distance"

Saf. dist.sen N

**Parameter set AX105 "In safety dist."**

- In saf. dist.s N
- Reset sen N

**Parameter set AX107 "React. high temp."**

- Overtemp. sen. N
- Max. temp. sen. N

**Parameter set A0000 "Defect temp. sen."**

Def. temp. sen. N

**Parameter set A0000 "Relay delay"**

Start delay relay

## 14.6 Menu "Relay/controls"

### 14.6.1 Submenu "Pump control N" (standard - limit control)

**Valid for:**

- FMU90-\*1\*\*\*\*\*
- FMU90-\*2\*\*\*\*\*

**Parameter set R1300 "Pump control N"**

- Reference
- Number of pumps

**Parameter set R1301 "Pump control N"**

Function = Limit control

**Parameter set R1302 "Pump control N"**

Pump M

**Parameter set R1303 "Pump M /control N"**

- Switch-on point
- Switch-off point
- Switch-on delay
- Alternate
- Crust reduction

**Parameter set R1304 "Pump M /control N"**

- Backlash interval
- Backlash time
- Failure mode

**Parameter set R1306 "Relay allocation → Relay K"**

- Function
- Invert

### 14.6.2 Submenu "Pump control N" (standard - pump rate control)

**Valid for:**

- FMU90-\*1\*\*\*\*\*
- FMU90-\*2\*\*\*\*\*

**Parameter set R1300 "Pump control N"**

- Reference
- Number of pumps

**Parameter set R1301 "Pump control N"**

Function = Pump rat. contr.

**Parameter set R13A3 "Pump control N"**

- Switch-on point
- Switch-off point
- Min. pump rate/min
- Crust reduction
- Switch on border
- Hook up interval
- Alternate

**Parameter set R13A2 "Pump control N"**

Pump M

**Parameter set R13A3 "Pump M / control N"**

- Switch-on delay
- Backlash interval
- Backlash time
- Failure mode

**Parameter set R13A6 "Relay allocation → Relay K"**

- Function
- Invert

**14.6.3 Submenu "Pump control N → Basic setup" (extended - limit control)****Valid for:**

- FMU90-\*3\*\*\*\*\*
- FMU90-\*4\*\*\*\*\*

**Navigation to the submenu:**

Relay/controls → Pump control N → Basic setup

**Parameter set R1401 "Pump control N"**

- Reference
- Number of pumps
- Standby pump
- Reset

**Parameter set R1402 "Pump control N"**

- Function = Limit single/limit parallel
- Load control

**Parameter set R1403 "Pump control N"**

Pump M

**Parameter set R1404 "Pump M /control N"**

- Switch-on point
- Switch-off point
- Switch-on delay
- Alternate
- Degree of use
- Max. use time
- Crust reduction

**Parameter set R1405 "Pump M /control N"**

- Backlash interval
- Backlash time
- Failure mode

**Parameter set R1406 "Pump M /control N"**

- Pump feedback
- Feedback delay
- Feedb. meaning

**Parameter set R1408 "Relay allocation → Relay K"**

- Function
- Invert

**14.6.4 Submenu "Pump control N → Basic setup" (extended - pump rate control)****Valid for:**

- FMU90-\*3\*\*\*\*\*
- FMU90-\*4\*\*\*\*\*

**Navigation to the submenu:**

Relay/controls → Pump control N → Basic setup

**Parameter set R1401 "Pump control N"**

- Reference
- Number of pumps
- Standby pump
- Reset

**Parameter set R1402 "Pump control N"**

- Function = Pump rat. contr.
- Load control

**Parameter set R1504 "Pump control N"**

- Switch-on point
- Switch-off point
- Min. pump rate/min
- Hook up interval
- Switch on border
- Alternate
- Crust reduction

**Parameter set R1505 "Pump control N"**

Pump M

**Parameter set R1505 "Pump M /control N"**

- Switch-on delay
- Degree of use
- Max. use time

**Parameter set R1506 "Pump M /control N"**

- Backlash interval
- Backlash time
- Failure mode

**Parameter set R1507 "Pump M /control N"**

- Pump feedback
- Feedback delay
- Meaning of the feedback

**Parameter set R1509 "Relay allocation → Relay K"**

- Function
- Invert

**14.6.5 Submenu "Pump control N → Storm function"****Valid for:**

- FMU90-\*3\*\*\*\*\*
- FMU90-\*4\*\*\*\*\*

**Navigation to the submenu:**

Relay/controls → Pump control N → Storm function

**Parameter set R1601 "Storm function N"**

- Storm function
- Switch-on point
- Switch-off point
- Storm time

**14.6.6 Submenu "Pump control N → Function test"****Valid for:**

- FMU90-\*3\*\*\*\*\*
- FMU90-\*4\*\*\*\*\*

**Navigation to the submenu:**

Relay/controls → Pump control N → Function test

**Parameter set R1602 "Function test N"**

- Function test
- Max. downtime
- Max. test time
- Switch-on point
- Switch-off point

**14.6.7 Submenu "Pump control N → Flush control"****Valid for:**

- FMU90-\*3\*\*\*\*\*
- FMU90-\*4\*\*\*\*\*

**Navigation to the submenu:**

Relay/controls → Pump control N → Flush control

**Parameter set R1603 "Flush control N"**

- Flush control
- Pump cycles
- Flush cycles
- Flush time
- Flush delay

**Parameter set R1605 "Relay allocation → Relay M"**

- Function
- Invert

**14.6.8 Submenu "Pump control N → Tariff control"****Valid for:**

- FMU90-\*3\*\*\*\*\*B\*\*\*
- FMU90-\*4\*\*\*\*\*B\*\*\*

**Navigation to the submenu:**

Relay/controls → Pump control N → Tariff control

**Parameter set R1607 "Tariff control N"**

- Tariff control
- Tariff input

**Parameter set R1608 "Tariff control N"**

Pump M

**Parameter set R1619 "Tariff ctrl N/pump M"**

- Switch-on point
- Switch-on tariff
- Switch-off point
- Switch-off tariff



### 14.6.9 Submenu "Pump control N → Pump data"

**Valid for:**

- FMU90-\*3\*\*\*\*\*
- FMU90-\*4\*\*\*\*\*

**Navigation to the submenu:**

Relay/controls → Pump control N → Pump data → Pump M

**Parameter set R1611 "Pump dat. P M"**

- Operating hours
- Reset op. hours
- Total op. hours
- Number of starts
- Starts per h
- Backlash starts
- Reset backlstart
- Last run time

### 14.6.10 Submenu "Pump control N → Op. hours alarm"

**Valid for:**

- FMU90-\*3\*\*\*\*\*
- FMU90-\*4\*\*\*\*\*

**Navigation to the submenu:**

Relay/controls → Pump control N → Op. hours alarm

**Parameter set R1612 "Op. hours alarm"**

- Op. hours alarm
- Alarm delay

**Parameter set R1613 "Op. hours alarm"**

Pump M

**Parameter set R1613 "Op. hours alarm N P M"**

- Operating hours
- Max. op. hours

**Parameter set R1615 "Relay allocation → Relay K"**

- Function
- Invert

### 14.6.11 Submenu "Pump control N → Pump alarm"

**Valid for:**

- FMU90-\*3\*\*\*\*\*B\*\*\*
- FMU90-\*4\*\*\*\*\*B\*\*\*

**Navigation to the submenu:**

Relay/controls → Pump control N → Pump alarm

**Parameter set R1617 "Pump alarm N"**

- Pump alarm
- Waiting time

**Parameter set R1619 "Relay allocation → Relay K"**

- Function
- Invert

### 14.6.12 Submenu "Rake control"

#### Parameter set R1200 "Rake control"

- Upstream water
- Downstream water
- Function

#### Parameter set R1201 "Rake control"

- Switch-on point
- Switch-off point

#### Parameter set R1202 "Rake control"

- Switching delay
- Failure mode

#### Parameter set R2204 "Relay allocation → Relay N"

- Function
- Invert

### 14.6.13 Submenu "Relay configurat. → Relay N" (function: limit)

#### Parameter set R1203 "Relay N"

- Function → Limit → Limit XXX
- Limit type
- Switch-on point
- Switch-off point
- Switch on/min.
- Switch off/min.
- Upper switchpt.
- Low switch point
- Hysteresis

#### Parameter set R1204 "Relay N"

- Switch delay
- Invert
- Failure mode

### 14.6.14 Submenu "Relay configurat. → Relay N" (function: time pulse)

#### Parameter set R2103 "Relay N"

- Function → Time pulse
- Pulse width
- Pulse time

#### Parameter set R2104 "Relay N"

- Invert
- Failure mode

### 14.6.15 Submenu "Relay configurat. → Relay N" (function: counting pulse)

#### Parameter set R1203 "Relay N"

- Function → Counting pulse → Pulse flow N
- Counter unit
- Pulse value
- Pulse width

#### Parameter set R1205 "Relay N"

- Pulse counter
- Overflow x 10<sup>7</sup>
- Reset counter
- Start counter
- Stop counter

**Parameter set R1204 "Relay N"**

- Invert
- Failure mode

**14.6.16 Submenu "Relay configurat. → Relay N" (function: alarm/diagnost.)****Parameter set R2103 "Relay N"**

- Function → Alarm/diagnost.
  - Alarm relay
  - Diagnostics
  - Backw. alarm
  - Dirt alarm
- Allocation M

**Parameter set R2104 "Relay N"**

Invert

**14.6.17 Submenu "Relay simulation"****Parameter set R2106 "Relay N"**

- Simulation
- Simulation value

**14.7 Menu "Output/calculat. → Current output N"****14.7.1 Submenu "Allocat./calculat."****Parameter set O1201 "Allocat. curr. N"**

- Output
- Output current

**14.7.2 Submenu "Extended calibr."****Parameter set OX202 "Mode current N"**

- Current span
- mA value
- Output damping
- 4mA threshold
- Curr. turn down
- Turn down 0/4mA
- Turn down 20mA

**14.7.3 Submenu "HART settings"**

Only for current output 1

**Parameter set O1203 "HART settings"**

- HART address
- No. of preambles
- Short TAG HART

**Parameter set O2205/O3206/O4207 "Add. HART value M"**

- Measured value M
- Output damping M

#### 14.7.4 Submenu "Simulation"

**Parameter set O1204 "Current output N"**

- Simulation
- Simulation value

### 14.8 Overview of the "Device properties" menu

#### 14.8.1 Submenu "Operating param."

**Parameter set D1101 "Distance unit"**

Distance unit

**Parameter set D110B "Temperature unit"**

Temperature unit

**Parameter set D110C "Operating mode"**

Operating mode

**Parameter set D110D "Controls"**

Controls

#### 14.8.2 Submenu "Tag marking"

**Parameter set D1102 "Tag marking"**

- Output N
- Device marking

#### 14.8.3 Submenu "Language"

**Parameter set D1103 "Language"**

Language

#### 14.8.4 Submenu "Password/reset"

**Parameter set D1104 "Password/reset"**

- Reset
- Code
- Status

### 14.9 Menu "System informat."

#### 14.9.1 Submenu "Device information"

**Parameter set IX101 "Device family"**

Device family

**Parameter set IX102 "Device name"**

Device name

**Parameter set IX103 "Device marking"**

Device marking

**Parameter set IX105 "Serial no."**

Serial number

**Parameter set IX106 "Software version"**

Software version

**Parameter set IX107 "Dev. rev."**

Dev. rev.

**Parameter set IX108 "DD version"**

DD version

**14.9.2 Submenu "In/output info"****Parameter set IX108 "Level N"**

- Input
- Sensor selection
- Detected

**Parameter set IX109 "Flow N"**

- Input
- Sensor selection
- Detected

**Parameter set IX10A "Current output N"**

Output

**Parameter set IX10B "Relay N"**

Function

**14.9.3 Submenu "Trend display → Trend output N"****Parameter set IX10F Trend output N**

Time interval

**14.9.4 Submenu "Min/max values"****Parameter set IX302 "Level → Level (LVL) N"**

- Max. value
- Min. Value
- Reset

**Parameter set IX302 "Flow → Flow N"**

- Max. value
- Min. Value
- Reset

**Parameter set IX302 "Temperature → Temperature sen. N"**

- Max. value
- Min. Value

**14.9.5 Submenu "Envelope curve"****Parameter set IX126 "En. curve sen. N"**

- Plot settings (choice of displayed curves)
- Plot settings (choice between an individual curve and cyclic presentation)

**14.9.6 Submenu "Error list"****Parameter set E1002 "Actual error"**

- 1:
- 2:
- ...

**Parameter set E1003 "Last error"**

- 1:
- 2:
- ...

### 14.9.7 Submenu "Diagnostics"

#### Parameter set E1403 "Operating hours"

Operating hours

#### Parameter set E1404 "Actual distance"

Act. distance N

#### Parameter set E1405 "Act. meas. value"

- Level N
- Flow N

#### Parameter set E1405 "Application par."

Sensor N

#### Parameter set E1406 "Echo quality sen."

Echo quality N

## 14.10 Menu "Display"

#### Parameter set DX202 "Display"

- Type
- Value N
- Customized text N

#### Parameter set DX201 "Display format"

- Format
- No. of decimals
- Sep. character
- Customized text

#### Parameter set DX200 "Back to home"

Back to home

## 14.11 Menu "Sensor management"

### 14.11.1 Submenu "Sensor management → FDU sensor → Sensor management"

#### Parameter set D1019 "Input"

FDU sensor N

#### Parameter set D1106 "US sensor N"

- Sensor operation
- Sensor priority
- Detected
- Sensor selection
- Detection window

#### Parameter set D1107 "US sensor N"

- Temp. measurement
- Ext. send ctrl.
- Input
- Distance

### 14.11.2 Submenu "Sensor management → FDU sensor → Ext. temp. sensor"

#### Parameter set D1020 "Ext. temp. sensor"

- Sensor type
- Temperature unit

**Parameter set D1021 "Ext. temp. sensor"**

- Max. value
- Min. Value
- Actual value
- Reset

**Parameter set D1022 "Ext. temp. sensor"**

- Failure mode
- Value at warning

**14.11.3 Submenu "Sensor management → FDU sensor → External digin"****Parameter set D1025 "Ext. digin N"**

- Invert
- Value



71526728

[www.addresses.endress.com](http://www.addresses.endress.com)

---