

Product datasheet

Specifications



voltage transformer - 230..400 V - 1 x 115 V - 2500 VA

ABL6TS250G

Main

Range of product	Modicon Transformer Optimized
Product or component type	Safety and isolation transformer
Rated power in VA	2500 VA
Input voltage	230 V AC single phase, terminal(s): N-L1 400 V AC phase to phase, terminal(s): L1-L2
Output voltage	115 V AC
Secondary winding	Single
Protective cover	Without
Ambient air temperature for operation	-20...50 °C

Complementary

Input voltage limits	360...440 V 207...253 V
Network frequency limits	47...63 Hz
Input voltage tolerance	+/- 15 V
Efficiency	96 %
Power dissipation in W	104.2 W
Output sustained overvoltage	3 % (no load, hot state)
Maximum voltage drop at rated load	0.3 %
No load losses	23.4 W
Short-circuit voltage	0,0261
Output protection type	Against overload, protection technology: external Against overvoltage, protection technology: external Against short-circuits, protection technology: external
Connections - terminals	For output connection: screw type terminals, connection capacity: 2 x 10 mm ² AWG 6 For input connection: screw type terminals, connection capacity: 8 x 4 mm ² AWG 11 For input ground connection: screw type terminals, connection capacity: 1 x 10 mm ² AWG 6
Marking	CE
Fixing mode	By 4 screws diameter: 10 mm on vertical panel, operating position: horizontal By 4 screws diameter: 10 mm on vertical panel, operating position: vertical By 4 screws diameter: 10 mm on horizontal panel with derating to 90 %
Operating altitude	3000 m

Electrical insulation class	Class B
Width	196.0 mm
Height	147.0 mm
Depth	322.0 mm
Net weight	27.0 kg

Environment

Product certifications	EAC UR DNV-GL
Standards	UL 506
IP degree of protection	IP20
Environmental characteristic	EMC conforming to EN 62041 Safety conforming to EN 61558-1 Safety conforming to EN 61558-2-4
Protective treatment	TC
Ambient air temperature for storage	-40...80 °C
Overvoltage category	Class I conforming to VDE 0106-1
Dielectric strength	2000 V between winding and ground 4000 V between primary and secondary

Packing Units

Unit Type of Package 1	PCE
Number of Units in Package 1	1
Package 1 Weight	30.5 kg
Package 1 Height	40 cm
Package 1 width	40 cm
Package 1 Length	60 cm
Unit Type of Package 2	S06
Number of Units in Package 2	1
Package 2 Weight	43.5 kg
Package 2 Height	73.5 cm
Package 2 width	60 cm
Package 2 Length	80 cm

Offer Sustainability

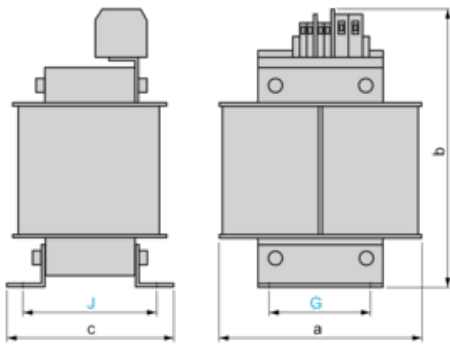
Sustainable offer status	Green Premium product
REACH Regulation	REACH Declaration
EU RoHS Directive	Pro-active compliance (Product out of EU RoHS legal scope) EU RoHS Declaration
Mercury free	Yes
RoHS exemption information	Yes
China RoHS Regulation	China RoHS declaration
Environmental Disclosure	Product Environmental Profile
PVC free	Yes

Contractual warranty

Warranty

18 months

Dimensions



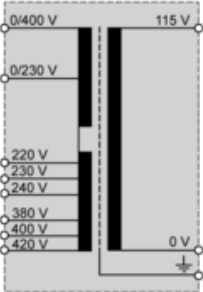
Dimensions in mm

a	b	c	G	J	Ø
198	335	145	125	117	10

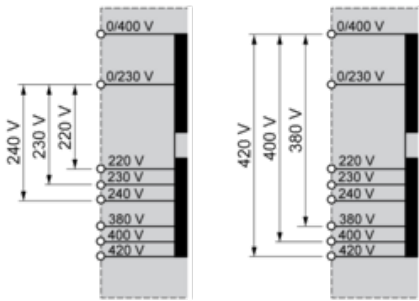
Dimensions in in.

a	b	c	G	J	Ø
7.79	13.19	5.71	4.92	4.61	0.39

Internal Scheme



Primary Voltage Wiring



Secondary Voltage Wiring

