

MultiTox

Flexible configuration
Easy maintenance
IS Cartridges

DMI-TT6 Toxic Gas or Oxygen deficiency Detector

The MultiTox DMI-TT6 are intelligent gas detectors employing a wide array of sensor types. The MultiTox DMI-TT6 are used to detect toxic gases or for oxygen deficiency monitoring. The detectors are designed for ease of operation and maintenance.



All DMI-TT6 are constructed from a common housing and electronics with the detection properties being determined by the type of sensor (cartridge) used. A wide range of cells are available, including hydrogen sulphide, ammonia and carbon monoxide to name a few. The cells are intrinsically safe, and may be replaced with the detector powered. This versatile housing is also used for our flammable (catalytic) gas detector as well our semiconductor (MOS) detector - although these units are certified flameproof, not intrinsically safe - see separate datasheet.

The intelligent, microprocessor driven unit is fully configurable using a wireless handheld terminal (TLU) giving true flexibility to the installer. Elements such as relay operation and alarm levels are all set via the TLU; a hazardous area approved hand-held unit.

The device offers a wide range of output options as standard and is suitable for use in SIL 2 applications. The unit may be interfaced directly with a wide range of panels, controllers and PLC's etc.

The DMI-TT6 may be used in refineries, offshore drilling and production platforms, processing and storage plants as well as chemical plants.

Features

Standard detector platform

Auto heating of EC cell

Hot change of cells

Wireless, non intrusive testing by as single technician

Hand-held maintenance terminal

Hot swap field cabling

Wide range of detector outputs

Benefits

Wide range of cells

Suitable for low temperature

Minimises system down time

Reduced site personnel costs

Reduced service costs

Detector can be replaced without disassembling the cable glands

Relays and 4-20mA output as standard, HART(R) output option



TLU600 Wireless (IR) Hand-held Terminal

Technical Data

GENERAL

Technology	Electrochemical cell
Detects	See table below
Range	See table below

PERFORMANCES

See table below

OUTPUT SIGNAL

Standard	4-20mA or 0-22mA (configurable by user) max. load impedance 700Ω (Std.)
Option	HART(R) Protocol (7th edition) Lonworks (Syntel)
Relay	2 x configurable Relays max 1A / 30V

ELECTRICAL

Power supply	24V DC, range (18 - 32V DC)
Power consumption	30 mA normal; 180 mA when heating
Connection	0.3 mm ² (22 AWG) - 1.5 mm ² (16 AWG) Shielded cable recommended

ENVIRONMENTAL

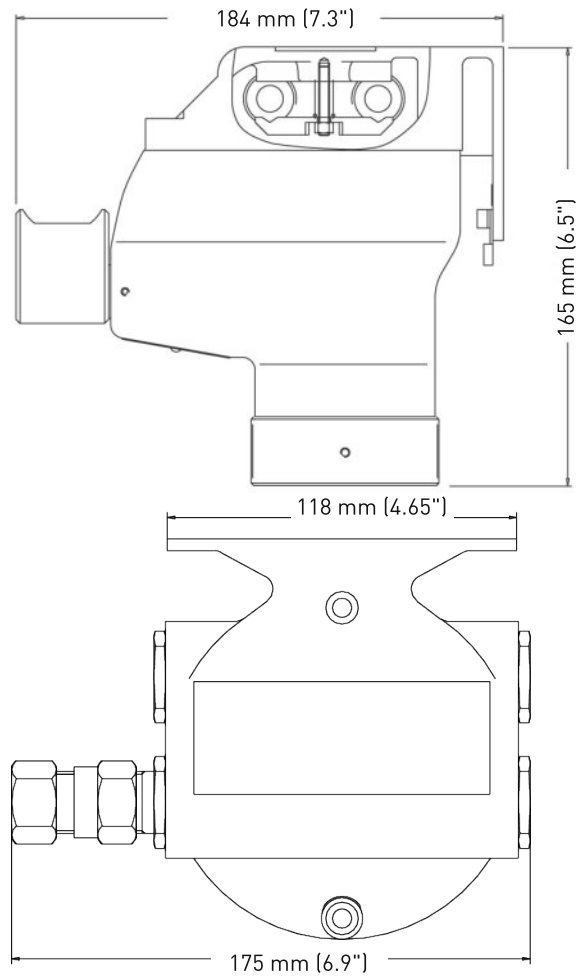
Storage	-40°C to +70°C (-40°F to +158°F) Transmitter 0°C to +20°C (0°F to +68°F) Cartridge / Cell
Operation	See table below
Humidity	99% RH (non-condensing)
Pressure	Atmospheric pressure +/- 10%
Ingress	IP66
RFI/EMI	Complies with EN50081-1, EN50081-2, EN50082-1 and EN50082-2.

HOUSING

Material	Epoxy coated aluminium (standard)
Weight	1.8 Kg [4 Lbs]
Dimensions	175 x 165 x 184 mm (l, h, w)

APPROVALS

ATEX	⊕ II 2 G / Ex d ia IIC T6 Gb
Temperature range	-20°C to +60°C
Certificate number	LCIE 03 ATEX6262X
IECEX	IECEX LCIE 12.0012X



ACCESSORIES

TLU600	Infrared remote control unit
AS056-250	Sun shade
AS005	Calibration cup
AS011	Sample flow housing
AS019	Splash guard
CAL-K1C-XXX	Calibration kits

OTHER PRODUCTS (ALUMINIUM RANGE)

DM-TX6	MultiXplo, Flammable Gas Detector
DM-TT6	MultiTox, Solid-State (MOS) Gas Detector
DM-TV6	MultiFlame, Flame detector

GAS	02 "M" Type	02 "G" type	H ₂ S	NH ₃	CO	NO	NO ₂	H ₂	SO ₂	CL ₂	HCl	HCN
Range (ppm)	0-5	0-5	0-20	0-50	0-100	0-100	0-20	0-1000	0-20	0-10	0-50	0-50
(except 02 %vol.)	0-25	0-25	0-50	0-100	0-200			0-2000	0-100	0-20	0-100	
			0-100	0-1000	0-500			0-10000		0-50		
			0-200		0-1000							
Zero drift [ppm, except 02 %vol.]	< 0.1	< 0.1	+/- 1 +/- 2	+/- 2 +/- 20	+/- 4 +/- 10	+/- 3	+/- 0.5	+/- 40 +/- 200	+/- 0.5	+/- 0.5	+/- 3	+/- 1
T 90 (seconds)	< 25	< 25	< 60	< 120	< 35	< 20	< 45	< 70	< 30	< 30	< 150	< 60
Cell lifetime (months)	12 to 18	60	24	24	36	36	24	24	24	24	24	18
Temperature °C	-10 / +40	+5 / +40	-20 / +50	-20 / +40	-20 / +50	-20 / +50	-20 / +50	-20 / +50	-20 / +50	-20 / +40	-20 / +50	-20 / +40
Temperature °F	+14 / +104	+41 / +104	-4 / +122	-4 / +104	-4 / +122	-4 / +122	-4 / +122	-4 / +122	-4 / +122	-4 / +104	-4 / +122	-4 / +104