

POSITION SWITCH, METAL-ENCLOSED SNAP-ACTION CONTACTS
1NO+1NC, ROLLER PLUNGER, TYPE C, 1 X M20 X 1.5



product designation	position switch
suitability for use safety switch	Yes
General technical data	
protection class IP	IP67
reference code acc. to IEC 81346-2	B
active principle	mechanical
length of the sensor	118 mm
width of the sensor	40 mm
design of the switching contact	mechanical
number of NC contacts for auxiliary contacts	1
number of NO contacts for auxiliary contacts	1
design of the interface for safety-related communication	without
Enclosure	
design of the housing	design complying with EN 50041
material of the enclosure	metal
coating of the enclosure	painted
design of the housing acc. to standard	Yes
Drive Head	
design of the actuating element	roller plunger
standard-compliant actuator head	EN 50041, design C
shape of the switch head	roller
design of the switching function	positive opening
circuit principle	snap-action contacts
number of switching contacts safety-related	1
Connections/ Terminals	
type of electrical connection	screw-type terminals
Communication/ Protocol	
design of the interface	without
Ambient conditions	
explosion protection category for dust	none
Installation/ mounting/ dimensions	
fastening method	screw fixing
Certificates/ approvals	
General Product Approval	Declaration of Conformity



[Miscellaneous](#)

Test Certificates

Marine / Shipping

[Miscellaneous](#)



other

[Confirmation](#)

Further information

Information- and Downloadcenter (Catalogs, Brochures,...)

<https://www.siemens.com/ic10>

Industry Mall (Online ordering system)

<https://mall.industry.siemens.com/mall/en/en/Catalog/product?mlfb=3SE2120-1D>

Cax online generator

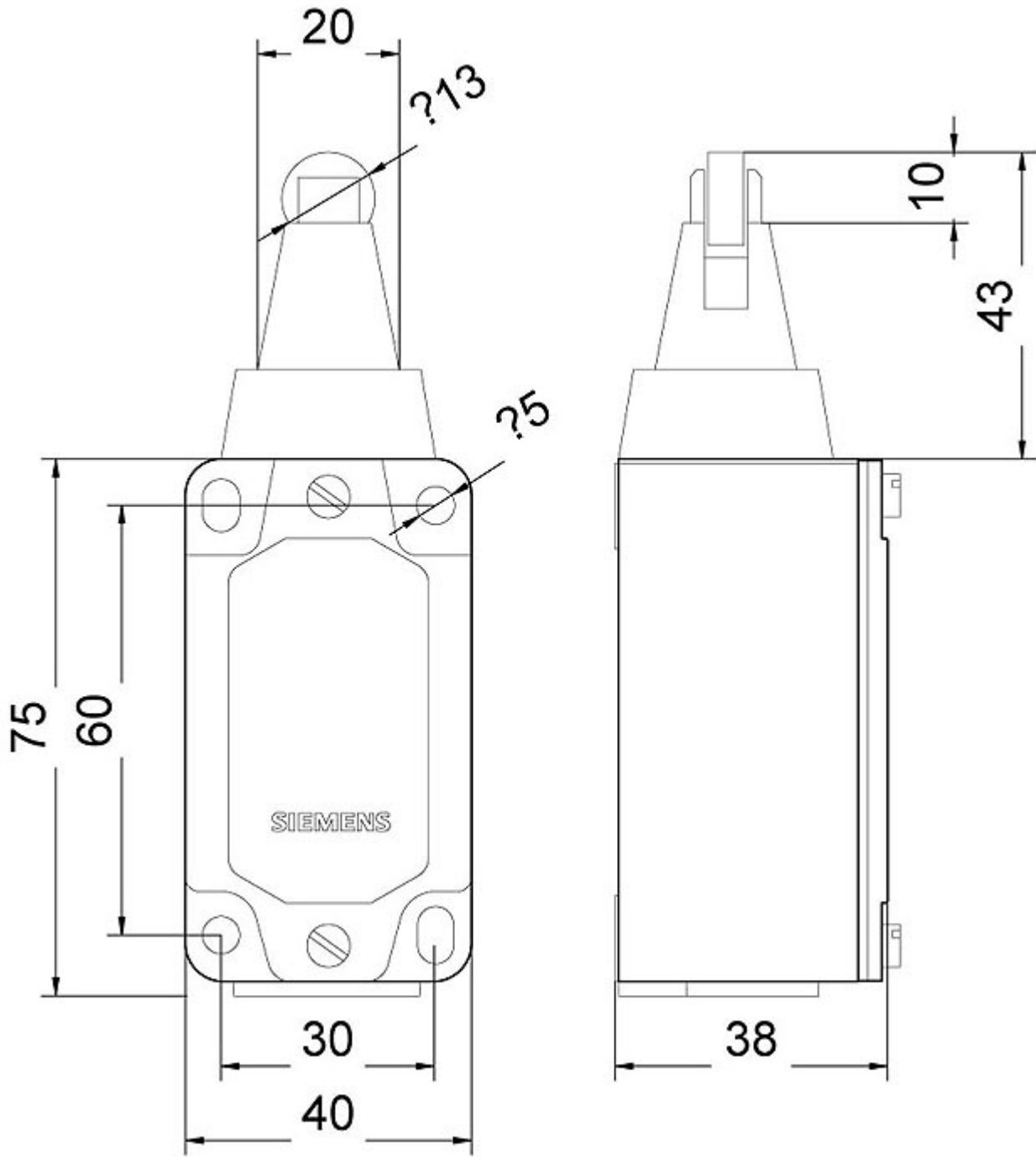
<http://support.automation.siemens.com/WW/CAXorder/default.aspx?lang=en&mlfb=3SE2120-1D>

Service&Support (Manuals, Certificates, Characteristics, FAQs,...)

<https://support.industry.siemens.com/cs/ww/en/ps/3SE2120-1D>

Image database (product images, 2D dimension drawings, 3D models, device circuit diagrams, EPLAN macros, ...)

http://www.automation.siemens.com/bilddb/cax_de.aspx?mlfb=3SE2120-1D&lang=en



last modified:

4/28/2021 