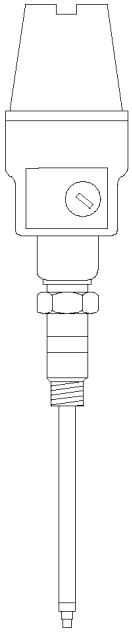


21000,24701 Proximity Probe Housing Assemblies

Bently Nevada™ Asset Condition Monitoring

Description



Proximity Probe Housing Assemblies

Bently Nevada offers two all-metal Proximity Probe Housing Assemblies for external mounting of proximity probes: the 21000 aluminum probe housing assembly, and the 24701 stainless steel probe housing assembly. These housings consist of a dome cover that screws into the body of the housing, threaded ports for conduit connections, a probe sleeve of optional length, O-rings, a reverse mount proximity probe, a thread seal, optional conduit fittings and an optional standoff adapter. Use of a proximity probe housing allows external access to the proximity probe and its extension cable, permitting gap adjustment or probe replacement without disassembly of the machine.

Note: A newer 31000/32000 proximity probe housing assembly is available with more flexible mounting options, better environmental resistance, and other improved features. It is recommended for installations where an explosion proof housing is not required. Consult specifications and ordering information (p/n 141610-01).

Both the 21000 and the 24701 housing assemblies are available in a Canadian Standards Association (CSA) approved version that is rated explosion proof in hazardous areas. In addition, CSA and BASEEFA approved proximity probes can also be ordered with both 21000 aluminum and 24701 stainless steel housings for intrinsically safe applications. Both housings are certified as CSA Type 4 enclosures, and both are fully compliant with the American Petroleum Institute's (API) 670 Standard for externally mounted proximity probe housings.

Sleeve length is determined by the location in which the probe and housing will be installed. The probe lead must be longer than the sleeve. Sleeve lengths longer than 304 mm (12 inches) require additional sleeve support in order to reduce the vibration associated with unsupported long sleeve lengths. A probe support/oil seal, P/N 37948-01, is available to support long sleeves going through an inner bearing housing, or the customer or BNC can provide a custom sleeve support (see Figure 1. "Proximity Probe Housing Assemblies Dimensions are in millimetres (inches)" on page 7).

Related Documents

For probe information, refer to the following manuals:

- 3300 XL 8 mm Proximity Transducer System 141078-01
- 3300 XL NSv Proximity Transducer System 147357-01
- 3300 XL 11 mm Proximity Transducer System 146255-01
- Radiation Resistant Probe & Proximitor System TW8029407

Specifications

Electrical

Electrical

Classification:

Complies with the CE mark for Europe.

Intrinsically Safe

Applications:

Multiple approvals for hazardous areas certified by Canadian Standards Association (CSA/NRTL/C) in North America and by BASEEFA/CENELEC in Europe for hazardous applications when used with an approved Proximito[®] Sensor, extension cable, and either intrinsically safe or galvanically isolated barriers.

CSA/NRTL/C:

Class 1, Divisions 1 and 2: Groups A, B, C, and D.

Class 2, Divisions 1 and 2: Groups E, F, and G.

BASEEFA/ C EN EL EC:

Zones 0, 1, and 2: Groups I, MA, MB, and IIC.

Explosion Proof Applications:

CA housings certified by CSA for explosion-proof applications in the following applications -

Class I, Divisions 1 and 2: Groups C and D.

Class II, Divisions 1 and 2: Groups E, F, and G.

Class III.

Environmental

Temperature Range

3300 XL 8 mm and 3300 XL 11 mm probes:

-51°C to +177°C (-60°F to +351°F).

**3300 NSV™ probe:
Operating:**

-34°C to +177°C (-30°F to +351°F).

Storage:

-51°C to +177°C (-60°F to +351°F).

Note: Exposing 3300 XL or 3300 NSV™ probes to temperatures below -34°C (-30°F) may cause premature failure of their pressure seals.

Mechanical

Material

21000:

Aluminum body with 304 stainless steel sleeve.

24701:

303 stainless steel body, with 304 stainless steel sleeve.

Mass (weight)

21000:

1.1 kg (2.4 lb) typical, without fittings.

24701:

1.8 kg (4.1 lb) typical, without fittings.

Ordering Information

Proximity Probe Housing Assemblies

21000-AXX-BXX-CXX-DXXX-EXX-F02

24701-AXX-BXX-CXX-DXXX-EXX-FXX

Explosion-Proof Housing Assemblies

CA21000-AXX-BXX-CXX-DXXX-EXX-F02

CA24701-AXX-BXX-CXX-DXXX-EXX-FXX

A: Probe Option, With Connector:

- 00** Probe not required
- 16** 3300 XL 8 mm probe
- 26** 3300 NSV probe
- 27** 3300 NSV probe, multiple approvals
- 28** 3300 XL 8 mm probe, multiple approvals
- 29** 3300 XL 11 mm probe
- 30** 3300 XL 11 mm probe, multiple approvals
- 31** 3300 NSV probe with connector protector
- 32** 3300 NSV probe with connector protector, multiple approvals
- 33** 3300 XL 8 mm probe with connector protector
- 34** 3300 XL 8 mm probe with connector protector, multiple approvals
- 35** 3300 XL 11 mm probe with connector protector
- 36** 3300 XL 11 mm probe with connector protector, multiple approvals

Note: If option -00 (probe not required) is selected for Option A, then Option B (Probe Cable Length Option) must also be -00.
Order only multiple approvals probes for CA21000 or CA24701 housings.

B: Probe Cable Length Option (see Table 2, "Maximum Length of C and D Dimension for Proximity Probes," on page 6):

00 Probe cable not required

05 0.5 metre (20 in)

10 1.0 metre (39 in)

Note: 3300 XL 11 mm probes only available in 1.0 metre length.

Excessive cable lengths should be avoided to reduce the possibility of damaging the cable when the housing lid is screwed onto the housing.

C: Standoff Adapter (Option C Dimension):

Order in increments of 0.5 in (13 mm).

Minimum length: 1.5 in = **15** (38 mm).

Maximum length: 7.5 in = **75** (191 mm).

Example:

1.5 in (38 mm) = **15**.

No standoff adapter = **00**.

D: Probe Penetration (Option D Dimension):

Order in increments of 0.1 in (3 mm).

Minimum length: 1.0 in = **010** (25.4 mm).

Maximum length: See Table 2,

"Maximum Length of C and D Dimension for Proximity Probes," on page 6.

Example:

3.7 in (94 mm) = **037**.

22.4 in (569 mm) = **224**.

Note: Installed probe P/N and S/N may not be visible for all available "C" plus "D" options. See Table 3, "Maximum C and D Dimension with Visible Probe P/N and S/N," on page 6.

For Probe Penetration Lengths between 1.0 and 2.0 inches, counter bore may be required in machine case to reduce probe side view and/or rear view effects.

"C" plus "D" lengths greater than 300 mm (12 in) require additional sleeve support near the probe to prevent resonance from occurring. Adjustment range of Probe Penetration Option "D" is 13 mm (± 0.5 in). For maximum "C" plus "D" see Table 2, "Maximum Length of C and D

Dimension for Proximity Probes," on page 6.

is known and the sleeve cannot be measured, use the following table to determine the sleeve length:

E: Fittings Option:

- 0 0** Without fittings
 - 0 1** One Explosion-proof fitting and one plug
 - 0 2** Two Explosion-proof fittings
 - 0 3** One 3/4-14 NPT plug; one 3/4-14 to 1/2-14 NPT reducer; one cable seal grip with grommets for cable sizes: 1/8 to 3/16, 1/4 to 5/16, and 5/16 to 3/8-in
 - 0 4** One 3/4-14 NPT plug only
- Note:** Explosion-proof fittings are available for all housings. However, only CA versions of the housing are rated as explosion-proof by CSA when ordered with the E:00, E:01, E:02, or E:04 options.

All housing AXX options except NSv and 11 mm probes (options other than A:06,A:12,A:26, A:27,A:29,A:30,A:31, A:32,A:35,orA:36)

AXXX: = Standoff Adapter Option from original housing (21000, CA21000,24701, or CA24701 option **C**) + Probe penetration option from original housing (21000, CA21000, 24701, or CA24701 option **D**) + **0 4 5**.

Example: original part number is 21000-16-10-15-035-03-02.

AXXX: option for replacement sleeve is (015 + 035 + 045) = **0 9 5**.

F: Mounting Thread Option:

- 0 1** As cast, without threads
 - 0 2** 3/4-14 NPT (Must be ordered if Standoff Adapter Length Option is not-00.)
 - 0 3** 1-11 1/2 NPT
 - 0 4** 1/2-14 BSP
 - 0 5** 7/8-14 UNF-2A
- Note:** For 21000 and CA21000 housings, Option F must be - 02.

Housing AXX options for 3300 NSv probe options (A:26, A:27, A:31,orA:32)

AXXX: = Standoff Adapter Option from original housing (21000, CA21000,24701, or CA24701 option **C**) + Probe penetration option from original housing (21000, CA21000, 24701, or CA24701 option **D**) + **0 4 6**.

Example: original part number is 24701-31-10-15-090-03-02.

AXXX: option for replacement sleeve is (015 + 090+ 046) = **151**.

Accessories

37948-01

Probe Support/Oil Seal Recommended for sleeves longer than 305 mm (12 in).

44382-AXXX

Individual Probe Sleeve for 21000/24701 Proximity Probe Housings A:

Probe sleeve length **This is the measured probe sleeve length**. Order in increments of 0.1 in (3 mm). Note that the individual probe sleeve length **does not** include the distance from the end of the sleeve to the probe tip or the gap from the probe tip to the target material. If only the part number of the original housing

Housing AXX options for 3300 XL 11 mm probe options (A:29, A:30, A:35,orA:36)

AXXX: = Standoff Adapter Option from original housing (21000, CA21000,24701, or CA24701 option **C**) + Probe penetration option from original housing (21000, CA21000, 24701, or CA24701 option **D**) + **0 3 7**.

Example: original part number is CA24701-36-10-40-053-02-02.

AXXX: option for replacement sleeve is (040 + 053+ 037) = **130**.

Housing AXX options for 7200 Series 11 mm probe options (A: 06 or A: 12)

AXXX: = Standoff Adapter
Option from original housing
(21000, CA21000, 24701, or
CA24701 option C) + Probe
penetration option from
original housing (21000,
CA21000, 24701, or CA24701
option D) + **0 3 9**.

Example: original part number
is CA24701-12-10-30-113-01-02.

AXXX: option for replacement
sleeve is (030 + 113 + 039) = **182**.

Minimum Probe Sleeve Length:

For **all probes** except NSv™
and 11 mm probes: 5.5 in (140
mm) = **0 5 5**

3300 NSv™ Probe: 5.5 in (142
mm) = **0 5 6**

3300 XL 11 mm probe: 4.7 in
(119 mm) = **0 4 7**

Maximum Probe Sleeve Length:

All 0.5 metre probes except
NSv and 11 mm probes: 18.0 in
(457 mm) = **180**

3300 NSv 0.5 metre probe:
18.1 in (460 mm) = **181**

**7200-series 0.5 metre 11 mm
probe:** 15.4 in (391 mm) = **15 4**

All 1.0 metre probes except
NSv and 11 mm probes: 33.7 in
(856 mm) = **3 3 7**

3300 NSv 1.0 metre probe:
33.8 in (859 mm) = **338**

**3300 XL 1.0 metre 11 mm
probe:** 32.9 in (836 mm) = **32 9**

**7200 Series 1.0 metre 11 mm
probe:** 33.1 in (841 mm) = **331**

21003-AXXX

Individual Standoff Adapter:

Order in increments of 0.5 in (13 mm).
Minimum length: 1.5 in = 0 1 5 (38 mm).

Maximum length: 7.5 in = 0 7 5 (191
mm).

Example: 4.5 in (114 mm) = **045**.

Note: For desired probe
penetration lengths of less
than 25 mm (1.0 in), order a
separate Individual Standoff

Adapter. The effective probe
penetration length will then be
reduced by the length of the
Individual Standoff Adapter,
plus an additional 13 mm (0.5
in) due to the NPT thread
engagement.

Example: The customer desires
a probe penetration length of
13 mm (0.5 in). To do this, they
can order a 21000 housing
with DXXX (probe penetration)
option of 0 3 0 [76 mm (3 in)]
and a separate individual
standoff adapter that is 51
mm (2.0 in) in length (part
number 21003-020). The
standoff adapter would cover
38 mm (2.0 in) of the probe
sleeve, plus an additional 13
mm (0.5 in). Therefore, the
effective probe penetration
length would drop to 13 mm
(0.5 in). Note: Signal affects
due to probe side view and/or
rear view of metal
components are likely when
effective penetration lengths
of less than 1.0 inch are used.

Spare 3300 XL 8 mm Reverse Mount Probe, 3/8-24 UNF threads

330105-02-12-CXX-DXX- EXX

C: Total Length Option:

0 5	0.5 metre (1.6 feet)
1 0	1.0 metre (3.3 feet)
1 5	1.5 metre (4.9 feet)
2 0	2.0 metres (6.6 feet)
5 0	5.0 metres (16.4 feet)
9 0	9.0 metres (29.5 feet)

D: Connector Option:

0 0	Connector not installed
0 2	Miniature ClickLoc™ coaxial connector

E: Agency Approval Option:

0 0	Not required
0 5	Multiple Approvals

Spare 3300 NSV Reverse Mount Probe, 3/8-24 UNF threads

330906-02-12-CXX-DXX-EXX

C: Total Length Option:

- 05** 0.5 metre (1.6 feet)
- 10** 1.0 metre (3.3 feet)
- 50** 5.0 metres (16.4 feet)
- 70** 7.0 metres (23.0 feet)

D: Connector Option:

- 00** Connector not installed
- 02** Miniature ClickLoc coaxial connector

E: Agency Approval Option:

- 00** Not required
- 05** Multiple Approvals

Spare 3300 XL 11 mm Reverse Mount Probe, 3/8-24 UNF threads

330705-02-18-CXX-DXX-EXX

C: Total Length Option:

- 10** 1.0 metre (3.3 feet)
- 50** 5.0 metres (16.4 feet)
- 90** 9.0 metres (29.5 feet)

D: Connector Option:

- 00** Without connector
- 02** With miniature male coaxial connector

E: Agency Approval Option:

- 00** Not required
- 05** Multiple Approvals

Tables

Table 1. Part Dimensions in mm (inches)

Catalog Number	Dimension			
	A	B	C&D	E
21000	83.3 (3.28)	161.6 (6.36)	See Ordering Option C&D	26.7 (1.05)
24701	78.2 (3.08)	151.9 (5.97)	See Ordering Option C&D	27.9 (1.10)

Table 2. Maximum Length of C and D Dimension for Proximity Probes

Probe Cable Length	Maximum C & D Dimension
0.5 metre (3300 Series)	343 mm (13.5 in)
1.0 metre	742 mm (29.2 in)

Table 3. Maximum C and D Dimension with Visible Probe P/N and S/N

Probe Cable Length	Maximum C & D Dimension
0.5 metre	Not Visible
1.0 metre	432 mm (17.0 m)

Dimensional Drawing

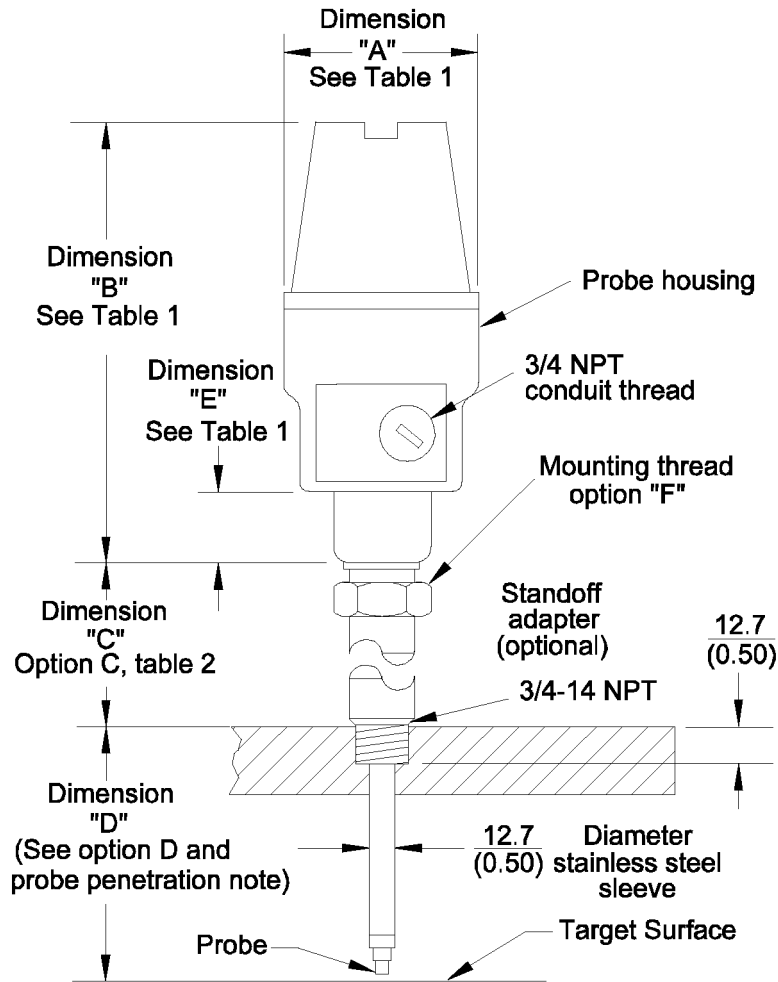


Figure 1. Proximity Probe Housing Assemblies Dimensions are in millimetres (inches)

Bently Nevada, Proximito, NSv and ClickLoc are trademarks of General Electric Company.

Copyright 2000. Bently Nevada LLC.
 1631 Bently Parkway South, Minden, Nevada USA 89423
 Phone: 775.782.3611 Fax: 775.215.2873
www.ge-energy.com/bently
 All rights reserved.