



# STANDARD 200mm & 300mm Standard Aluminum Platen Heaters

### QUICK SOLUTIONS FOR WAFER FABRICATION

Customers can now save thousands of dollars with off-the-shelf designs since there are no additional costs for engineering, tooling or casting mold creation.

This platen heater design is ideal for prototype machine trials or engineering experiments as well as temporary repairs until custom heaters can be manufactured. CAS platen heaters provide a complete turnkey solution and are available in anodized finish, or in bare machined

aluminum 356 with optional add-on features. The stock anodized cast aluminum platen heaters are complete, ready to install parts and are available for shipment within one business day.

### APPLICATIONS

**Semiconductor Processing**

**Semiconductor research and development**

### FEATURES AND BENEFITS

#### Stock delivery

WR200-2A and WR300-2A ship within one business day to reduce down time  
Assures a cost effective option for 200 and 300 mm wafer processing

#### World class performance

"Cast-in" reliability assures long product life  
Operating temperatures up to 752°F (400°C) for a wide range of process applications  
Surface temperature uniformity of  $\pm 0.3\%$  of set point assures wafer processing accuracy

### SPECIFICATIONS

#### Standard Features (All Models)

Material: Aluminum alloy 356

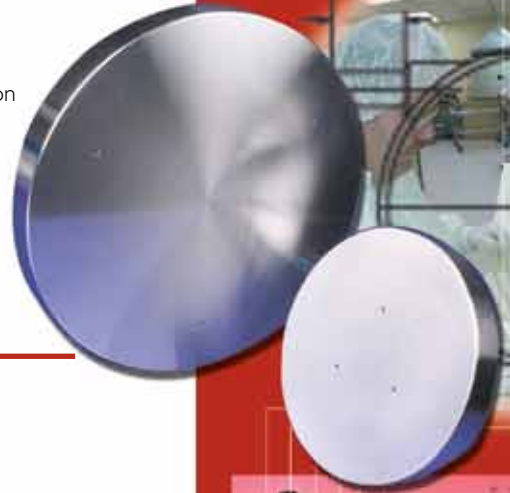
Surface Flatness:  $< 0.0005$  in. (0.013 mm)

Surface Temperature Uniformity:  $\pm 0.3\%$  of set point based on measurements at laboratory ambient conditions

Cleaning: Ultrasonic wash followed by IPA wipe down

Hard Anodize Thickness: 0.002 in. (0.05 mm) per

MIL-A-8525, Type III, Class I (models WR200-2A and WR300-2A only)



# MODEL WR200-2A

## 200mm Anodized Platen Heater

### SPECIFICATIONS

MODEL WR200-2A  
MODEL WR200-2B

Diameter: 9 in. (228.6 mm)

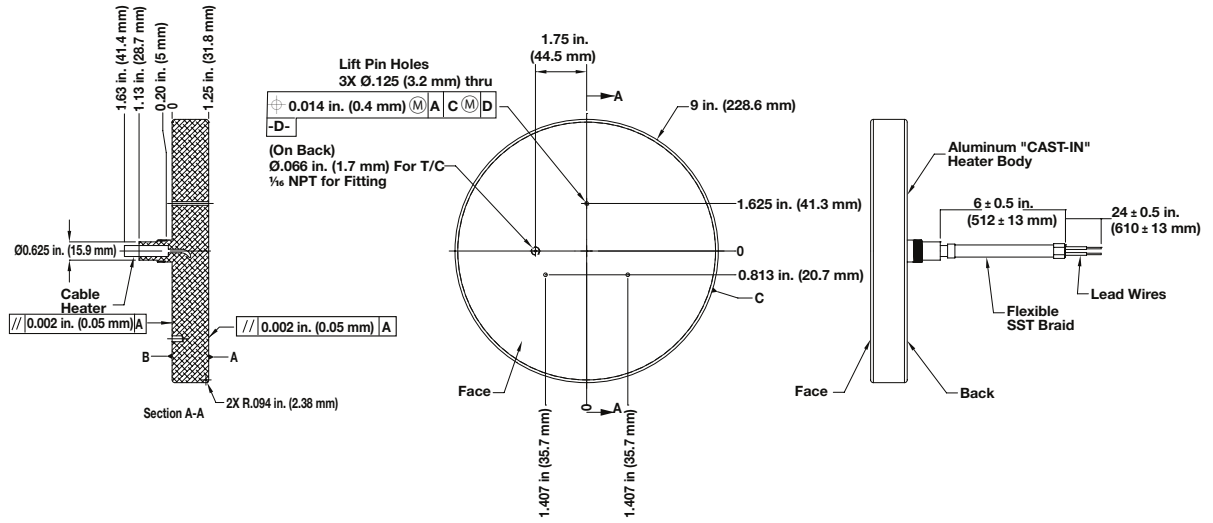
Thickness: 1.25 in. (31.75 mm)

(3X) Lift Pin Holes diameter 0.125 in. (3.2mm) equally spaced 120° on 3.25 in. (82.55 mm) perfect circle diameter

(1X) Thermocouple hole diameter 0.066 in. (1.68 mm) with 1/16 NPT tap for fitting

"Cast-in" cable heater rated 1681 W at 208V (or 2241 W when operated at 240V)

### DIMENSIONS



### ORDERING INFORMATION

**WR200-2A Series Platen With Hardcoat Anodize Finish:** Reference drawing above

Rating: Typical 208V, 1681 W, Maximum 240V, 2241 W, Part is ultrasonic washed followed by IPA wipe down prior to packaging, Delivery 6-8 wks

#### Item:

No thermocouple included  
 Thermocouple, Type K, 6 in. (152 mm) sheath + fitting  
 Thermocouple, Type J, 6 in. (152 mm) sheath + fitting  
 Thermocouple, Type K, 12 in. (305 mm) sheath + fitting  
 Thermocouple, Type J, 12 in. (305 mm) sheath + fitting

#### Code Number:

**WR200-2A**  
**WR200-3A**  
**WR200-4A**  
**WR200-5A**  
**WR200-6A**

# MODEL WR200-2B

## 200mm Bare Machined Aluminum Platen Heater

### ORDERING INFORMATION

**WR200-2B Series Platen With Bare Machined Aluminum Finish:** Reference drawing above

Rating: Typical 208V, 1681 W, Maximum 240V, 2241 W, Part is ultrasonic washed followed by IPA wipe down prior to packaging, Delivery 4-6 wks

#### Item:

No thermocouple included  
 Thermocouple, Type K, 6 in. (152 mm) sheath + fitting  
 Thermocouple, Type J, 6 in. (152 mm) sheath + fitting  
 Thermocouple, Type K, 12 in. (305 mm) sheath + fitting  
 Thermocouple, Type J, 12 in. (305 mm) sheath + fitting

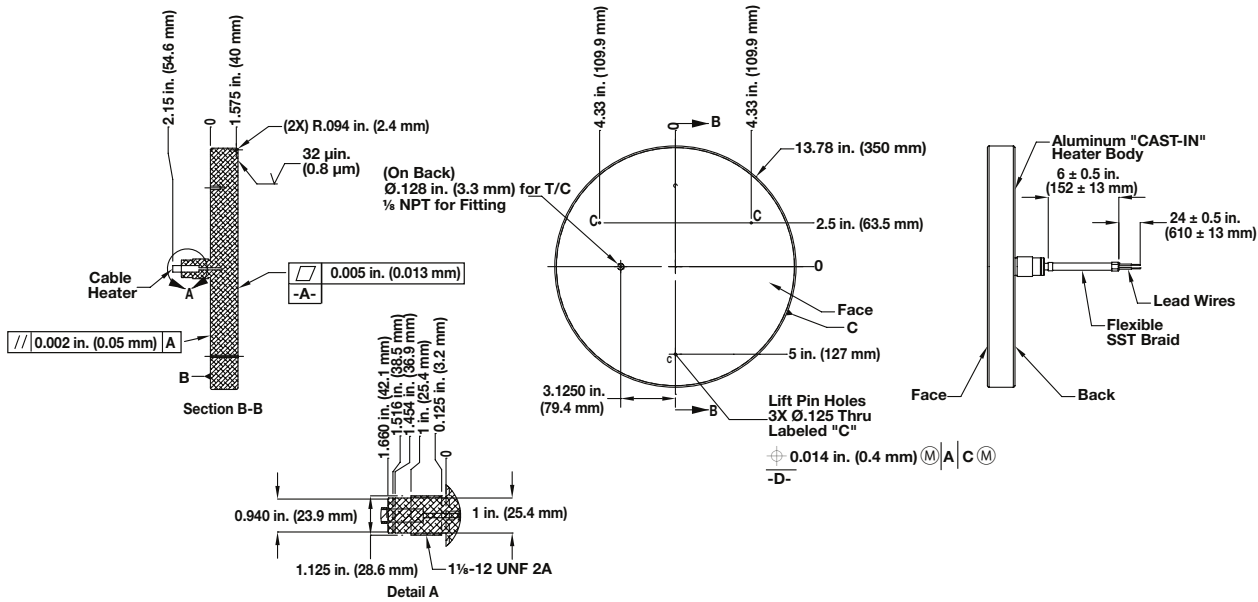
#### Code Number:

**WR200-2B**  
**WR200-3B**  
**WR200-4B**  
**WR200-5B**  
**WR200-6B**

# MODEL WR300-2A

## 300mm Anodized Platen Heater

### DIMENSIONS



### SPECIFICATIONS

#### MODEL WR300-2A

#### MODEL WR300-2B

Diameter: 13.78 in. (350 mm)

Thickness: 1.575 in. (40 mm)

(3X) Lift Pin Holes diameter 0.125 in. (3.2mm) equally spaced 120° on 10 in. (254 mm) perfect circle diameter

(1X) Thermocouple hole diameter 0.128 in. (3.25 mm) with 1/8 NPT tap for fitting

"Cast-in" cable heater rated 3350 W at 208V

### ORDERING INFORMATION

**WR300-2A Series Platen With Hardcoat Anodize Finish:** Reference drawing above

Rating: Typical 208V, 3350 W, Part is ultrasonic washed followed by IPA wipe down prior to packaging, Delivery 6-8 wks

#### Item:

No thermocouple included  
 Thermocouple, Type K, 6 in. (152 mm) sheath + fitting  
 Thermocouple, Type J, 6 in. (152 mm) sheath + fitting  
 Thermocouple, Type K, 12 in. (305 mm) sheath + fitting  
 Thermocouple, Type J, 12 in. (305 mm) sheath + fitting

#### Code Number:

**WR300-2A**  
**WR300-3A**  
**WR300-4A**  
**WR300-5A**  
**WR300-6A**

# MODEL WR300-2B

## 300mm Bare Machined Aluminum Platen Heater

### ORDERING INFORMATION

**WR300-2B Series Platen With Bare Machined Aluminum Finish:** Reference drawing above

Rating: Typical 208V, 3350 W, Part is ultrasonic washed followed by IPA wipe down prior to packaging, Delivery 4-6 wks

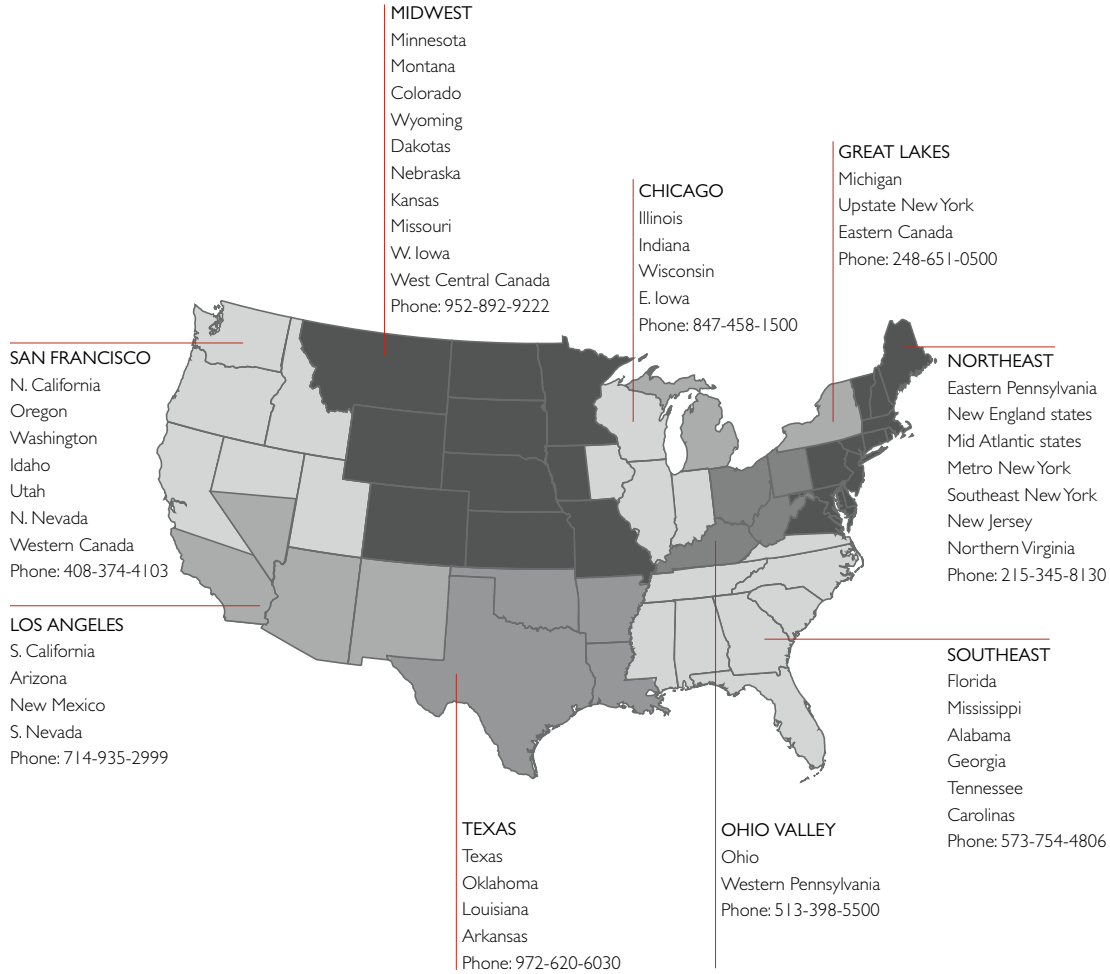
#### Item:

No thermocouple included  
 Thermocouple, Type K, 6 in. (152 mm) sheath + fitting  
 Thermocouple, Type J, 6 in. (152 mm) sheath + fitting  
 Thermocouple, Type K, 12 in. (305 mm) sheath + fitting  
 Thermocouple, Type J, 12 in. (305 mm) sheath + fitting

#### Code Number:

**WR300-2B**  
**WR300-3B**  
**WR300-4B**  
**WR300-5B**  
**WR300-6B**

**NORTH AMERICAN REGIONAL SALES REPRESENTATIVES:**



**INTERNATIONAL SALES REPRESENTATIVES:**

<b>AMERICAS</b> Mexico Central and South America +52-442-217-6235	<b>EUROPE</b> France +33-1-3073-2425 Germany +49-7253-9400-0 Italy +39-02-458-8841 Spain +34-916-7512-92 United Kingdom +44-115-964-0777 Africa and Middle East +49-7253-9400-0	<b>ASIA</b> Australia +61-3-9335-6449 China +011-86-21-3388-0188 Japan +81-3-3518-6630 Korea +82-2-2628-5770 Malaysia +60-3-7980-7741 Taiwan +886-7-288-5168
--	---	--



1310 Kingsland Drive Batavia, Illinois 60510

Phone: 630-879-2696  
Fax: 630-879-1101  
Email: [cas@castaluminumolutions.com](mailto:cas@castaluminumolutions.com)

[www.CastAluminumSolutions.com](http://www.CastAluminumSolutions.com)

**SERVICE AND SUPPORT**

Cast Aluminum Solutions services North America and Canada with over 70 sales engineers and 40 distributors. We cover global markets through our international network of distributors based in both Europe and Asia. At CAS, we believe our service and support separate us from the pack. We value each and every customer. To that end, our team of sales engineers, account managers and customer service professionals strive to achieve total customer satisfaction. This philosophy is embraced at every level of the company, from the leaders to factory floor.